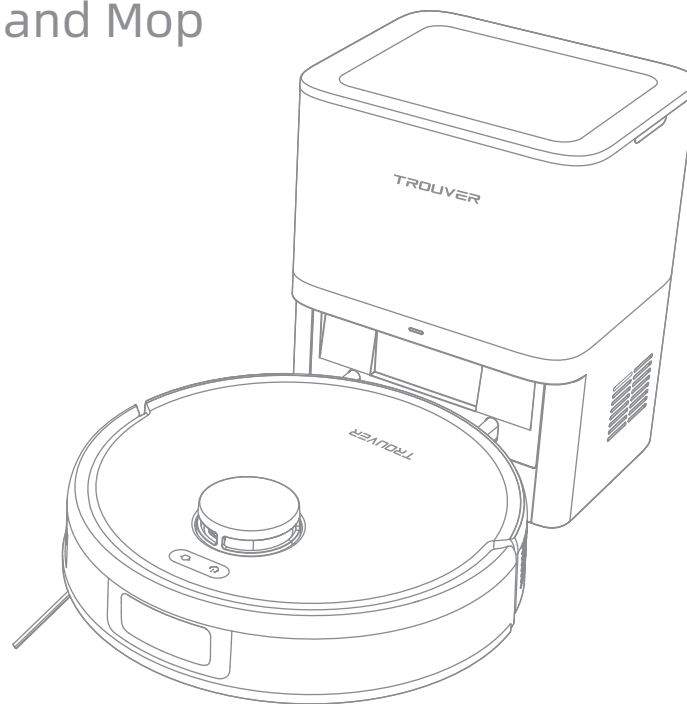


TROUVER E20 Pro Plus

Auto-Empty Robot Vacuum and Mop User Manual



The illustrations in this manual are for reference only. Please refer to the actual product.

TROUVER

Contents

EN	User Manual	1
RU	Руководство пользователя	26

Safety Information

To avoid electric shock, fire or injury caused by improper use of the appliance, please read the user manual carefully before using the appliance and keep it for future reference.

- Usage Restrictions**
- This product should not be used by children younger than 8 years old nor persons with physical, sensory, intellectual deficiencies, or limited experience or knowledge without the supervision of a parent or guardian to ensure safe operation and to avoid any risks. Cleaning and maintenance shall not be performed by children without supervision.
 - This appliance contains batteries that are only replaceable by skilled persons.
 - Clear the area to be cleaned. Children shall not play with the appliance. Ensure children and pets are kept at a safe distance from the robot while it is operating.
 - Do not install, charge or use the appliance in the bathrooms or around the pools.
 - This product is for floor cleaning in a home environment only. Do not use it outdoors, on non-floor surfaces, or in a commercial or industrial setting.
 - If the power cord is damaged, it must be replaced by a special cord or assembly available from the manufacturer or its service agent.
 - Do not use the robot in an area suspended above ground level without a protective barrier.
 - Do not place the robot upside down. Do not use the LDS cover, robot cover, or bumper as a handle for the robot.
 - Use the robot in environments with an ambient temperature above 0°C and below 40°C. Make sure there is no liquid or sticky substance on the floor.

Safety Information

Usage Restrictions

- To prevent damage or harm from dragging, clear any loose objects from the floor, and remove cables or power cords on the cleaning path before operating the appliance.
- Remove fragile or small items from the floor to prevent the robot from bumping into and damaging them.
- Keep hair, fingers, and other body parts away from the suction opening of the robot.
- Do not operate the appliance in a room where an infant or child is sleeping.
- Do not place children, pets, or any item on top of the robot regardless of whether it is stationary or moving.
- Do not use the robot to clean any burning objects. Do not use the robot to pick up flammable or combustible liquids, corrosive gases, or undiluted acids or solvents.
- Do not vacuum hard or sharp objects. Do not use the appliance to pick up objects such as stones, large pieces of paper or any item that may clog the appliance.
- Plug must be removed from the socket-outlet before cleaning or maintaining the appliance.
- Do not wipe the robot or the base station with a wet cloth or rinse them with any liquid. After cleaning washable parts, fully dry the parts before reinstalling and using them.
- Please use this product in accordance with the instructions in the User Manual. Users are responsible for any loss or damage that arise from improper use of this product.

Safety Information

- Batteries and Charging**
- Do not use any third-party battery or base station with auto-empty. Use only with RCED0106 supply unit.
 - Do not attempt to disassemble, repair, or modify the battery or the base station with auto-empty on your own.
 - Do not place the base station with auto-empty near a heat source.
 - Do not use a wet cloth or wet hands to wipe or clean the charging contacts of the base station with auto-empty.
 - Do not improperly dispose of old batteries. Unneeded batteries should be discarded at an appropriate recycling facility.
 - If the power cord becomes damaged or broken, stop using it immediately and contact after-sales service.
 - Make sure the robot is turned off when being transported and kept in its original packaging if possible.
 - If the robot will not be used for an extended period, fully charge it, then turn it off and store it in a cool, dry place. Recharge the robot at least once every 3 months to avoid over-discharging the battery.
 - The invisible laser sensor in this product meets the IEC 60825-1:2014, EN 60825-1:2014+A11:2021, EN 50689:2021 Standard for Class 1 laser products. Please avoid direct eye contact with it during use.

Laser Safety Information

CLASS 1 LASER PRODUCT

CONSUMER LASER PRODUCT

EN 50689:2021

Max output: <0.39mW

Wavelength: 840-860nm

Pulse duration: 0.125ms

Hereby, Dreame Trading (Tianjin) Co., Ltd. declares that the radio equipment type RLE12SD is in compliance with Directive 2014/53/EU. The full text of the EU declaration of conformity is available at the following internet address: <https://trouver-tech.com>
For detailed e-manual, please go to <https://www.trouver-tech.com/pages/user-manuals-and-faqs>

Safety Information

CAUTION:

In order to avoid a hazard due to inadvertent resetting of the thermal cut-out, this appliance must not be supplied through an external switching device, such as a timer, or connected to a circuit that is regularly switched on and off by the utility.



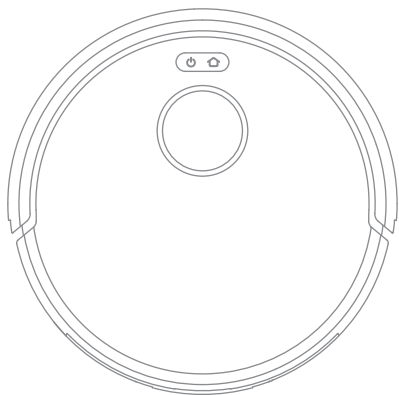
For indoor use only



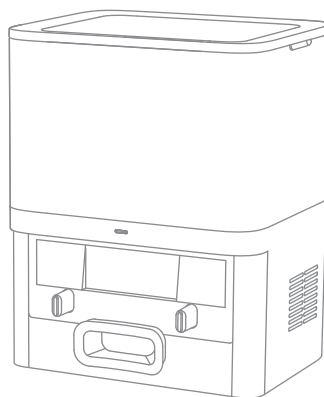
Read operator's manual

Product Overview

Package Contents



Robot

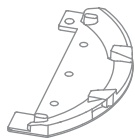


Base Station with
Auto-Empty

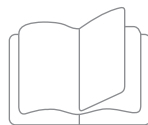
Other Accessories



Side Brush



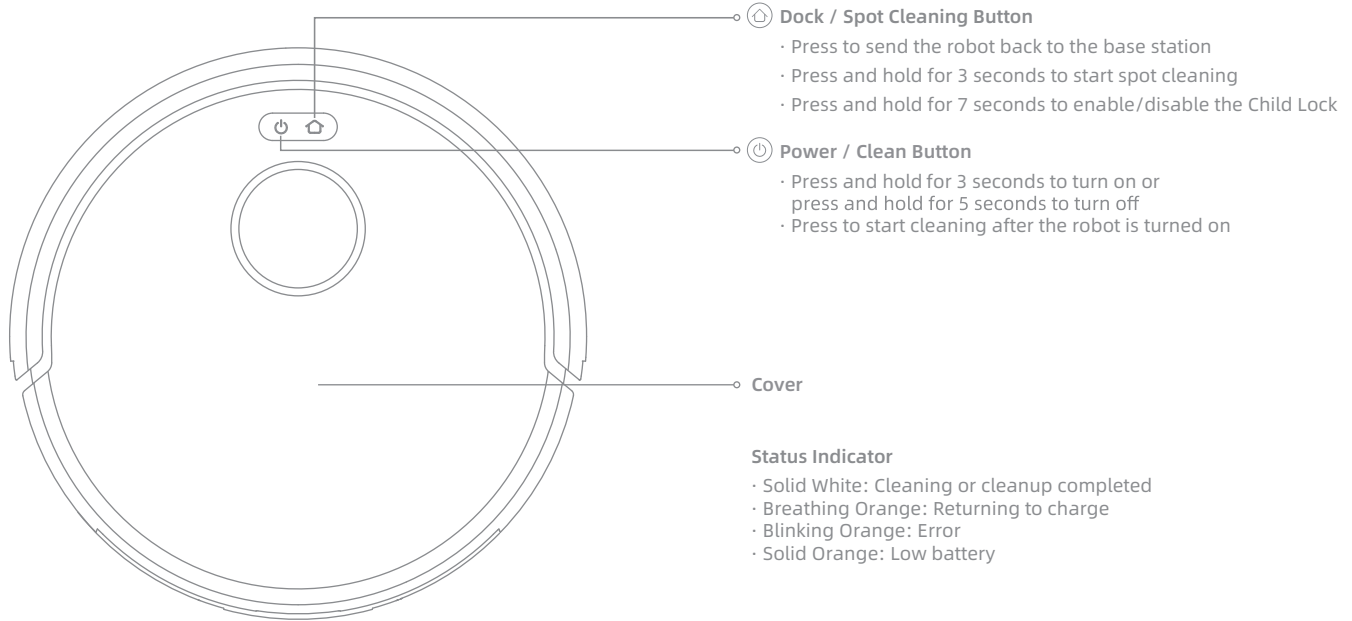
Mop Assembly



User Manual

Product Overview

Robot



Status Indicator

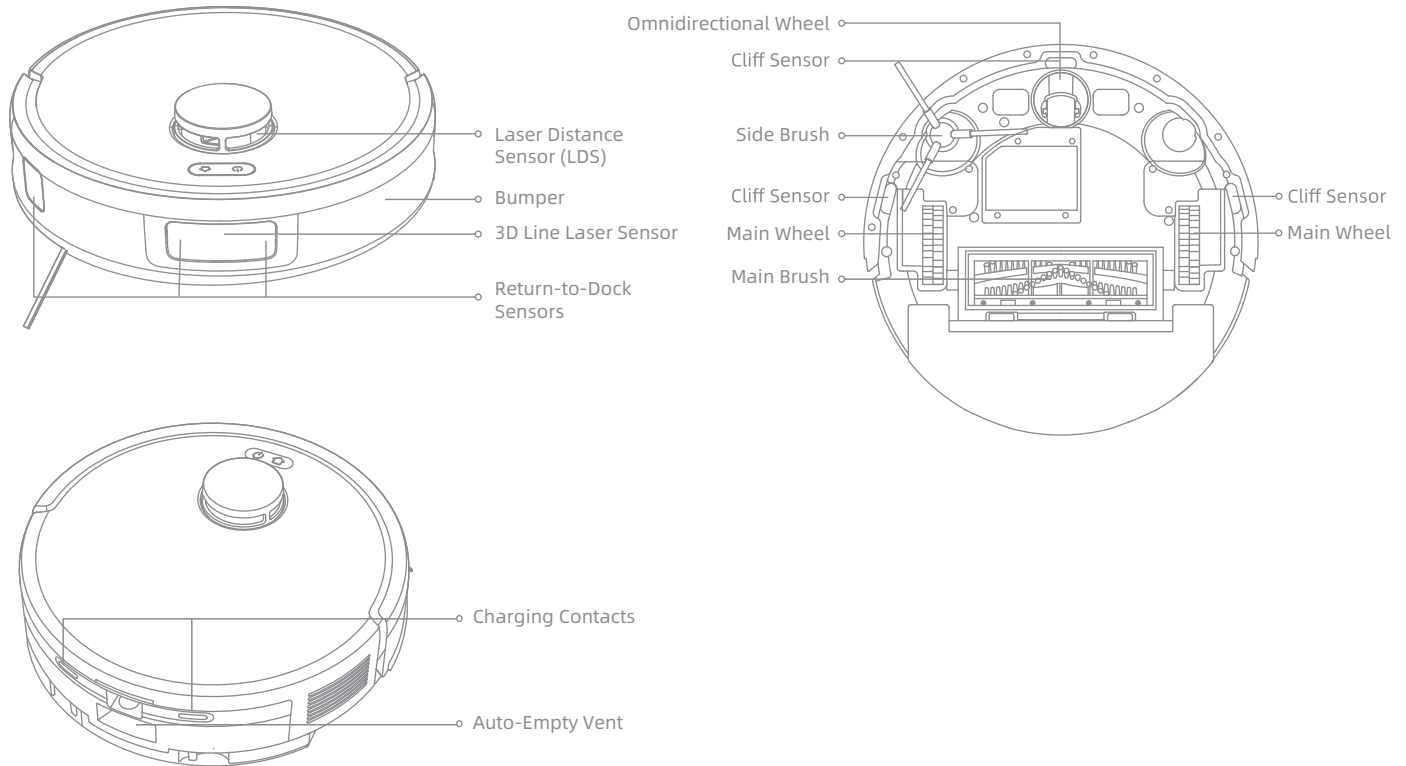
- Solid White: Cleaning or cleanup completed
- Breathing Orange: Returning to charge
- Blinking Orange: Error
- Solid Orange: Low battery

Note:

- Press any button on the robot to pause while the robot is cleaning or returning to charge.
- Press and hold the Ⓜ and Ⓜ button for 3 seconds to reset Wi-Fi.
- Press and hold the Ⓜ and Ⓜ button for 10 seconds to restore to factory settings.
- Child Lock can be enabled/disabled through the app.

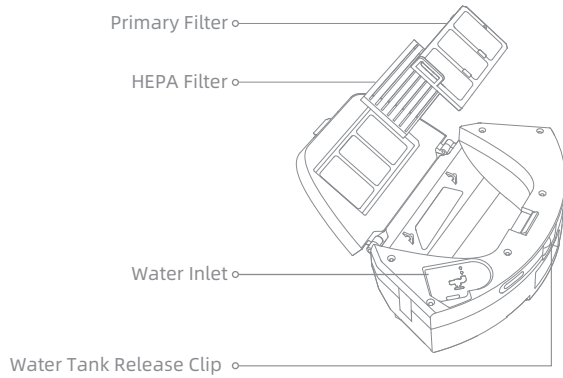
Product Overview

Robot and Sensors

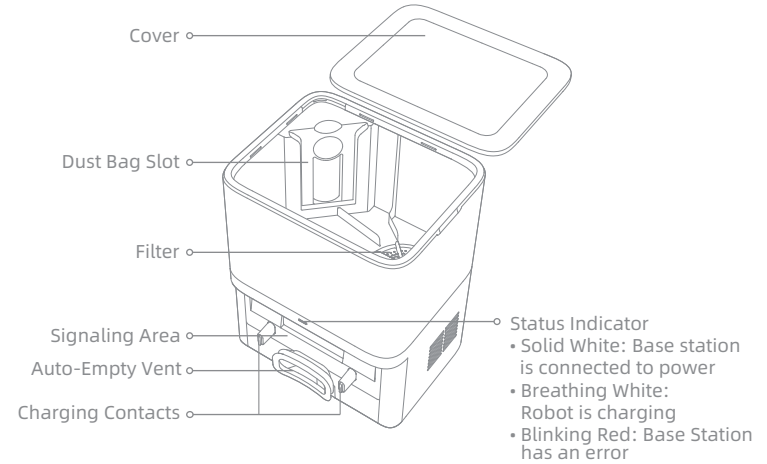


Product Overview

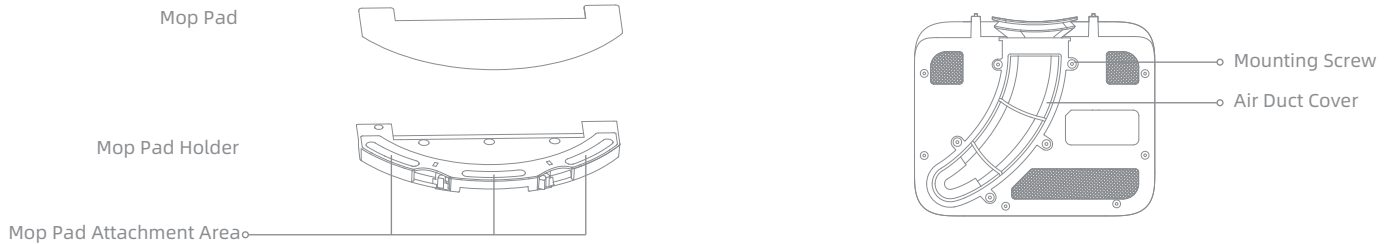
2-in-1 Water Tank with Dust Box



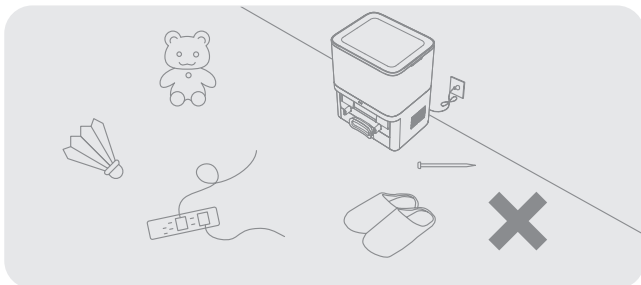
Base Station with Auto-Empty



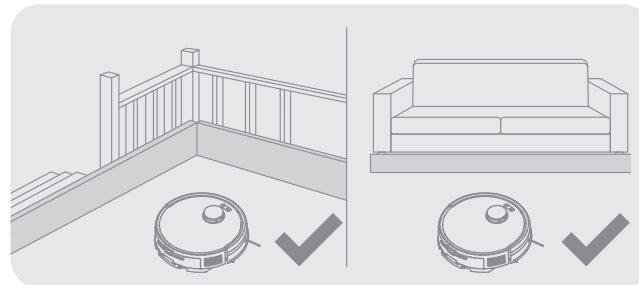
Mop Assembly



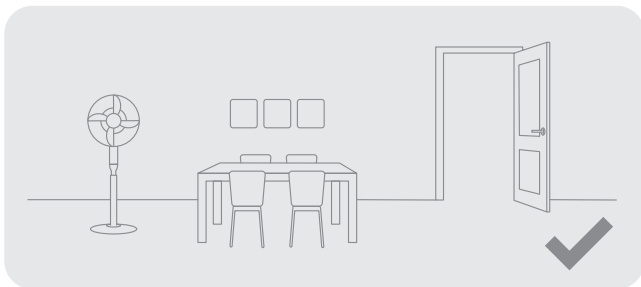
Preparing Your Home



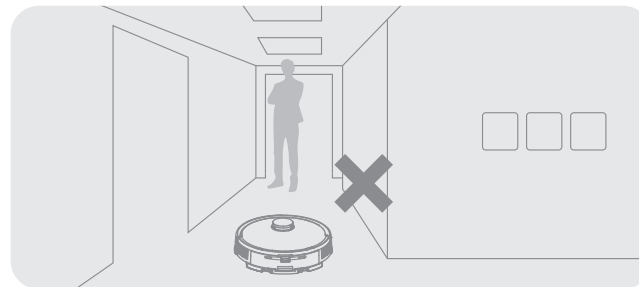
Before cleaning, please move away unstable, fragile, valuable or dangerous items, and clean up cables, cloths, toys, hard objects and sharp objects on the ground to avoid being entangled, scratched or knocked over by the robot and causing losses.



Before cleaning, place a physical barrier at the edge of the stairs and sofa to ensure safe and smooth operation of the robot.



Open the door of the room to be cleaned, and put the furniture in its proper place to leave more space.



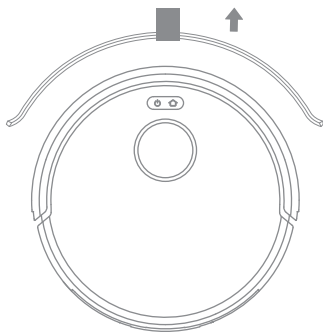
To prevent the robot from not recognizing areas that need to be cleaned, do not stand in front of the robot, threshold, hallway, or narrow places.

Note:

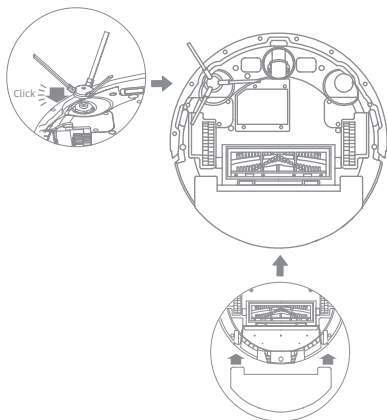
- When operating the robot for the first time, follow it around while cleaning to remove any potential obstacles in time.
- Do not vacuum hard objects like stones, steel balls and toy parts, or sharp objects like construction waste, broken glass and nails, otherwise the ground may be scratched.

Before Use

1. Remove the protections



2. Install the side brush and the mop assembly



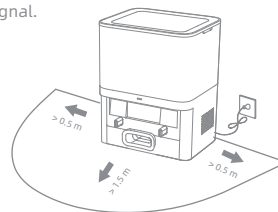
10 **Note:** Install the side brush until it clicks into place.

3. Place the Base Station and Connect to an Electrical Outlet

Place the base station on level ground against the wall and plug the power cord into the socket.



Place the base station in a location that is as open as possible with a good Wi-Fi signal.

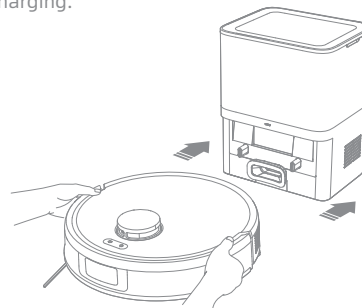


Note:

- Do not place the base station on the carpets.
- Make sure that no objects might block the signaling area.
- Remove any objects that are closer than 1.5 m from the front and 0.5 m from either side of the base station.

4. Charge the robot

When placing the robot, align the charging contacts of the robot with the charging contacts of the base station, and the robot will automatically turn on and start charging.

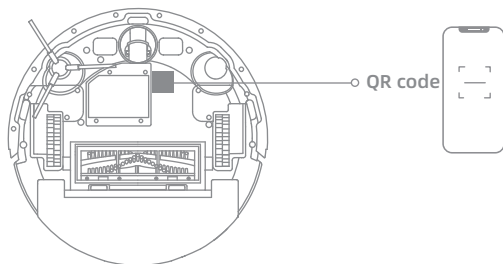


Note: It is recommended to fully charge your robot before first time use.

Connecting with the App

1. Download the App

Scan the QR code on the robot to download and install the app.



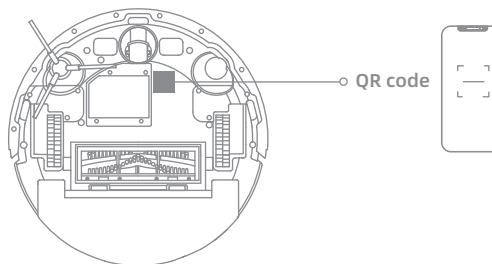
Note:

- Only 2.4 GHz Wi-Fi is supported.
- Due to upgrades in the app software, the actual operations may differ from the directions in this manual. Please follow the instructions based on the current app version.

2. Add Device



Open the app, tap "Scan QR code to connect", and scan the same QR code on the robot again to add the device. Please follow the prompts to finish the Wi-Fi connection.

Note: If you want to reset Wi-Fi, press and hold the  and  button for 3 seconds or repeat step 2 and then follow the prompts to finish the Wi-Fi connection.



How to Use


Turn On/Off

Press and hold the  button for 3 seconds to turn on the robot. The power indicator should be illuminated. Place the robot onto the base station, the robot should turn on automatically and begin charging. To turn off the robot, move the robot away from the base station and press and hold the  button for 5 seconds.

Fast Mapping

After configuring the network for the first time, follow the instructions in the app to quickly create a map. The robot will start mapping without cleaning. When the robot returns to the base station, the mapping process has been completed and the map will be saved automatically.

Start Cleaning

Press the  button to start cleaning after the robot is turned on. The robot will accurately map out a route, methodically clean along the edges and walls, then finish by cleaning each room in an S-shaped pattern to ensure a thorough job.

Note:

- It is recommended that the robot set out from the base station before cleaning. Do not move the base station while the robot is cleaning. This ensures that the robot returns to base station smoothly.
- After the robot completes the cleaning task and automatically returns to the base station, the base station will start auto-empty. More settings can be operated on the app.

Pause

When the robot is running, press any button to pause it.

Note: If the robot is paused and placed onto the base station, the current cleaning task will end.

Auto Resume Cleaning

If the battery is too low, the robot will automatically return to the base station to charge. After charging to the appropriate battery level, it will resume unfinished cleaning tasks.

Note: To use this function, please enable it in the app.


Do Not Disturb (DND) Mode

When the robot is set to Do Not Disturb (DND) mode, the robot will be prevented from resuming cleaning and the power indicator will turn off. DND mode is disabled by default at the factory. You can use the app to enable DND mode or modify the DND period. The DND period is 22:00-8:00 by default.



Note:

- The scheduled cleaning tasks will be performed as usual during the DND period.
- The robot will resume cleanup where it left off after the DND period expires.

Spot Cleaning

When the robot is on standby, press and hold the  button for 3 seconds to enable the spot cleaning mode. In this mode, the robot cleans a square-shaped area of 1.5 × 1.5 meters around it and returns to charge once the spot cleaning is completed.

Robot Restarting

If the robot stops responding or cannot be turned off, press and hold the  button for 15 seconds to forcefully turn it off. Then, press and hold the  button for 3 seconds to turn the robot on.

How to Use

Use Mopping Function

It is recommended that all floors are vacuumed at least three times before the first mopping session to achieve a better cleaning effect.

1. Fill the water tank with clean water.



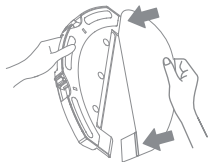
Note:

- Do not use detergent or disinfectant.
- Do not fill the water tank with hot water as this may cause the water tank to warp.

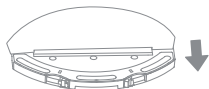
2. Dampen the mop pad and wring out excess water. Install the mop pad as shown in the diagram.



①

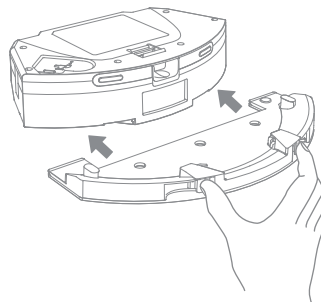


②

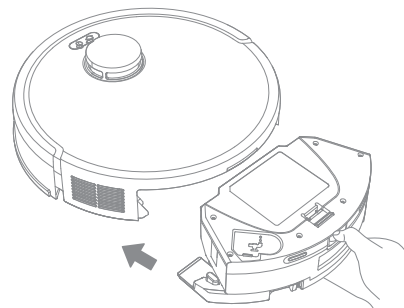


③

3. Install mop assembly.

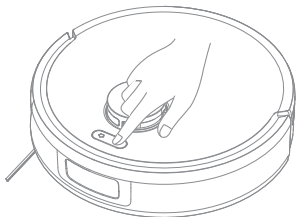


4. Slide the 2-in-1 water tank with dust box and mop assembly into the robot until it clicks into place.



How to Use

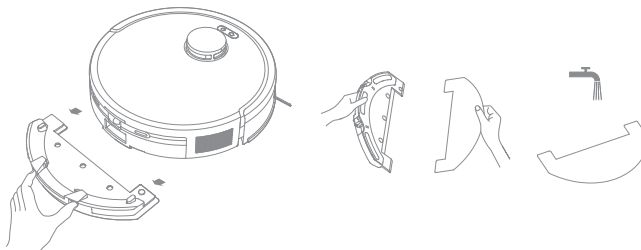
5. Press the  button or use the app to start cleaning.



Note:

- It is recommended to remove the mop assembly before cleaning carpets.
- Use the app to adjust the water flow as required.

6. When the robot finishes a cleaning task and returns to the base station, remove the mop assembly and wash the mop pad in time. To remove the 2-in-1 water tank with dust box, press and hold the release clip, and then take it out.



Note: When the robot is charging or not in use, it is recommended to remove the 2-in-1 water tank with dust box and mop pad. Pour out all the remaining water in the water tank, and clean the mop pad to prevent mildew or odors.

Routine Maintenance

Parts

To keep the robot in good condition, it is recommended to refer to the accessory usage in the app or the following table for routine maintenance.

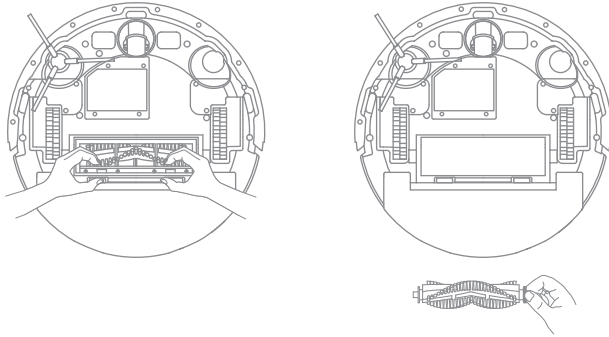
Part	Maintenance Frequency	Replacement Period
Mop pad	After each use	Every 3 to 6 months
Filter	Once every week	
Main brush	Once every month	Every 6 to 12 months
Side brush		Every 3 to 6 months
Robot's charging contacts		/
Robot's auto-empty vent		
Laser Distance Sensor (LDS)		
3D Line Laser Sensor		
Return-to-Dock Sensors		
Bumper		
Omnidirectional wheel		
Cliff sensors		
Bottom of the robot		
Base station's signaling area		
Base station's charging contacts		
Base station's auto-empty vent		
Water tank		
Dust box		
Dust bag	/	Every 2 to 4 months

Note: The replacement frequency will depend on your usage of the robot. If an exception occurs due to special circumstances, the parts should be replaced.

Routine Maintenance

Main Brush

1. Press the brush guard clips upwards to remove the brush guard and lift the brush out of the robot.



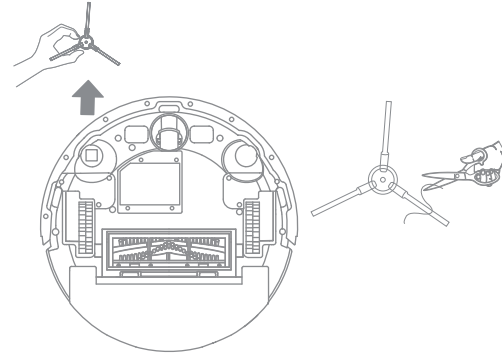
2. Use a proper tool to remove any hair tangled in the brush.



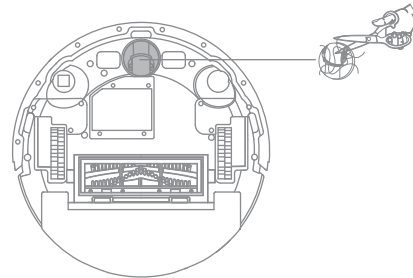
Note: Do not pull out the hair tangled in the main brush excessively. Otherwise, the brush may be damaged.

Side Brush

Pull out the side brush and use a proper tool to remove any hair tangled in the brush.



Omnidirectional Wheel



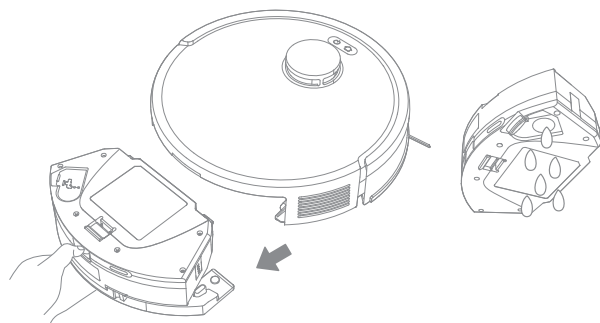
Note:

- Use a tool such as a small screwdriver to separate the axle and tire of the omnidirectional wheel. Do not use excessive force.
- Rinse the omnidirectional wheel under the running water and put it back after drying it completely.

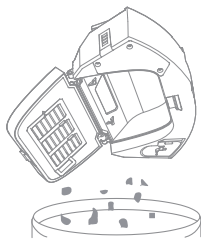
Routine Maintenance

2-in-1 Water Tank with Dust Box

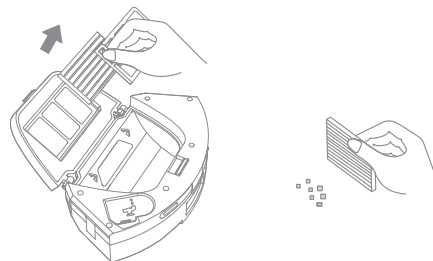
1. Press the release clip to remove the 2-in-1 water tank with dust box, and then empty the water tank.



2. Open the dust box cover and empty the dust box.

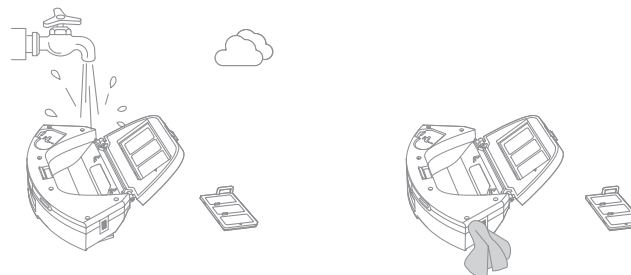


3. Remove the filters and tap the HEPA filter gently.



Note: Do not attempt to clean the filters with a brush, a finger or sharp objects to prevent damage.

4. Rinse the dust box and primary filter with water and air dry them completely before reinstalling.



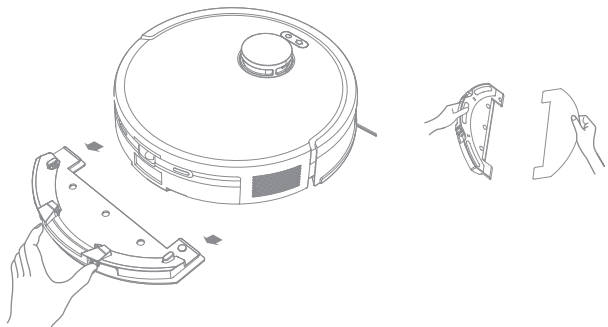
Note:

- Do not rinse the parts outside the dust box. If there are any water stains, please wipe them dry before reinstalling.
- Rinse the dust box and primary filter with clean water only. Do not use any detergent.
- Use the dust box and primary filter only when they are completely dry.

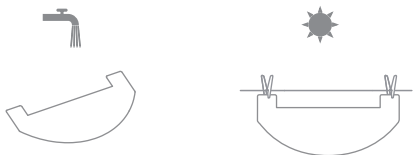
Routine Maintenance

Mop Pad

1. Press the release clips on the mop pad holder to remove the mop assembly. Pull the mop pad off the mop pad holder.

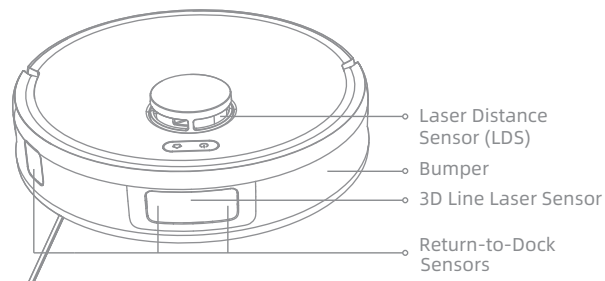


2. Clean the mop pad with water only and leave it to air dry before reinstalling.

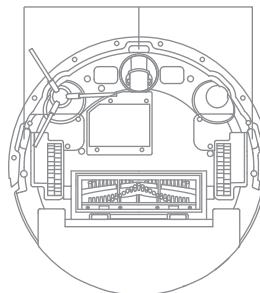


Robot Sensors

Wipe robot sensors by using a soft and dry cloth, as shown in the below figure:



Cliff Sensors

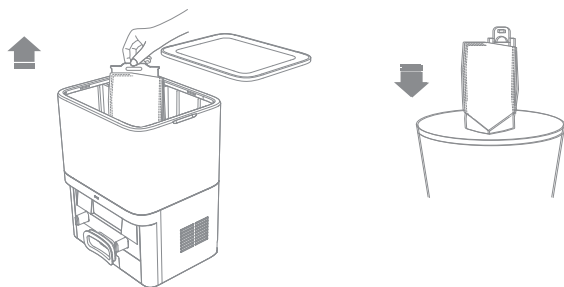


Note: A wet cloth can damage sensitive elements within the robot and the base station. Please use a dry cloth for cleaning.

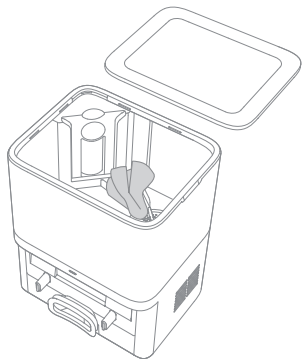
Routine Maintenance

Dust Bag

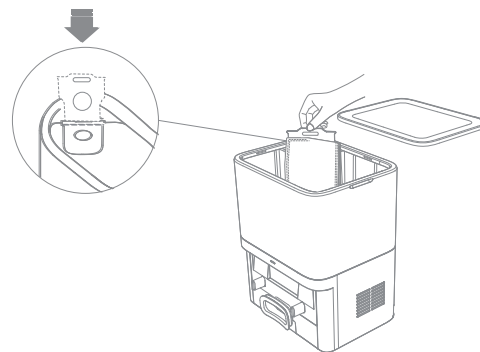
1. Remove and discard the dust bag.



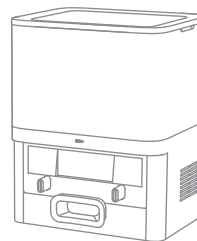
2. Remove the dust and debris from the filter with a dry cloth.



3. Install a new dust bag.



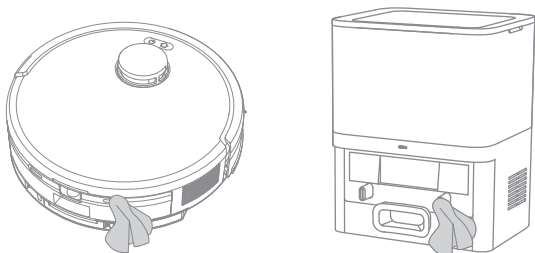
4. Put back the cover of the dust tank.



Routine Maintenance

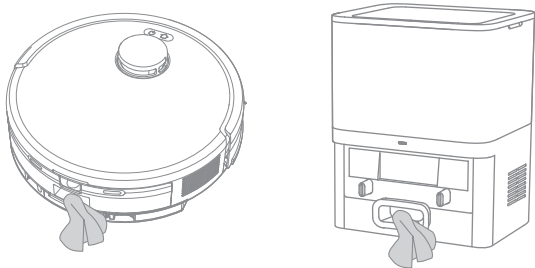
Charging Contacts and Signaling Area

Clean the charging contacts and the signaling area with a soft and dry cloth.



Auto-empty Vents

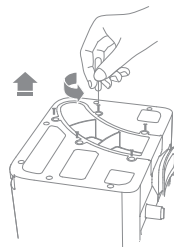
Clean the auto-empty vents of the robot and the base station with a soft and dry cloth.



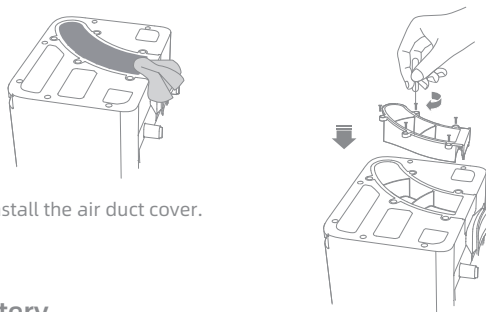
Air Duct

If the air duct is blocked, please clean it according to the following steps.

1. Unscrew the mounting screws on the air duct cover and remove the cover.



2. Check whether the air duct is blocked by foreign objects. If any, clean them.



3. Reinstall the air duct cover.



Battery

The robot contains a high-performance lithium-ion battery pack. Make sure that the battery remains well-charged for daily use to maintain optimal battery performance. If the robot is not used for an extended period of time, turn it off and put it away. To prevent damages from over-discharging, charge the robot at least once every three months.


Troubleshooting

Problem	Solution
The robot will not turn on.	<p>The battery is low. Recharge the robot on the base station and try again.</p> <p>The temperature of the battery is too low or too high. It is recommended to operate the appliance at a temperature between 32°F (0°C) and 104°F (40°C).</p>
The robot will not charge.	<p>The base station is not connected to power, please make sure the power cord is correctly plugged in.</p> <p>The contact between the charging contacts on the base station and the robot is poor, please clean the charging contacts.</p>
The robot fails to connect to WiFi.	<p>The Wi-Fi network password is incorrect. Make sure the password used to connect to your Wi-Fi network is correct.</p> <p>The robot does not support a 5 GHz Wi-Fi connection. Make sure the robot is connected to a 2.4 GHz Wi-Fi connection.</p> <p>The Wi-Fi signal is weak. Make sure the robot is in an area with good Wi-Fi coverage.</p> <p>The robot may not be ready to be configured. Please exit and re-enter the app, and then try again as instructed.</p>
The robot cannot find and return to the base station.	<p>The base station is disconnected from power or moved when the robot is not on it. Please connect the base station to the power supply or place the robot onto the base station to charge.</p> <p>There are too many obstructions around the base station. Place the base station in a more open area.</p> <p>Moving the robot may cause it to re-position itself, and it will recreate a map if re-positioning fails. If the robot is too far from the base station, it might not be able to automatically return on its own, in which case you will need to manually place the robot onto the base station.</p> <p>Wipe the signaling area on the base station to remove dust or debris.</p>
The robot gets stuck in front of the base station and cannot return to it.	<p>Clear any obstruction within 0.5 m on the left and right sides or within 1.5 m in front of the base station to prevent the robot from being blocked.</p> <p>The route for returning to charge is blocked, e.g. the door is closed.</p> <p>It is recommended to move the base station to a different place and try again.</p>

Troubleshooting

Problem	Solution
The robot will not turn off.	<p>The robot cannot be turned off when it is charging. It is recommended to move the robot from the base station, and then press and hold the  button for 5 seconds to turn it off.</p> <p>If the robot cannot be turned off by performing step 1, press and hold the  button for 15 seconds to forcibly turn off the robot. If the problem persists, please contact after-sales service.</p>
The charging speed is slow.	<p>It takes about 5 hours to fully charge the robot when its battery is low.</p> <p>If you operate the robot at temperatures outside of the specified range, the charging speed will automatically slow down to extend the battery life.</p> <p>The charging contacts on both the robot and the base station may be dirty, please wipe them with a dry cloth.</p>
The noise increases while the robot is operating.	<p>Check whether the dust box's filter is clogged. If so, clean it or replace it.</p> <p>A hard object may be caught in the main brush or the dust box. Check and remove any hard object.</p> <p>The main brush or the side brush may become tangled. Check and remove any foreign objects.</p> <p>Switch the suction mode to Standard or Quiet.</p>
The robot moves without following the set route.	<p>Objects such as power cords and slippers should be organized before using the robot.</p> <p>Working on wet slippery surfaces may cause the main wheel to slip. It is recommended to dry any wet areas before using the robot.</p>
The robot misses the rooms to be cleaned.	<p>Make sure that the doors of the rooms to be cleaned are open.</p> <p>The robot cannot climb over high thresholds or steps.</p> <p>The place in front of the room to be cleaned may be wet and slippery, causing the robot to slip and work abnormally. Please try drying the floor before using the robot.</p>

Troubleshooting

Problem	Solution
The robot will not resume cleaning after charging.	Make sure that the robot is not set to the Do Not Disturb (DND) mode, which will prevent it from resuming cleaning. The robot will not resume cleaning after you manually place the robot on the base station or send the robot to charge via the app or the  button.
The base station cannot automatically empty the dust box.	Check whether the dust bag in the dust tank is full. If the dust bag is not full, check whether there is any obstruction at the auto-empty vents of the robot, the base station, or the dust box. If any, clean the blocked part in time.
No water comes out of the water tank, or only a little bit comes out.	Check whether there is water inside the water tank. Clean the mop pad if it becomes dirty. Make sure the mop pad is installed correctly according to the user manual.
Robot returns to the base station without performing auto-empty tasks.	DND mode prevents the robot from performing auto-empty tasks.

For more support, contact us via <https://trouver-tech.com>.

Specifications

Robot

Model	RLE12SD
Charging Time	Approx. 5 hours
Rated Voltage	14.4 V $\overline{=}$
Rated Power	50 W
Operation Frequency	2400-2483.5 MHz
Maximum Output Power	< 20 dBm

Under normal use of condition, this equipment should be kept a separation distance of at least 20 cm between the antenna and the body of the user.

Base Station with Auto-Empty

Model	RCED0106
Rated Input	200-240 V \sim 50-60 Hz
Rated Output	19 V $\overline{=}$ 0.7 A
Rated Power (during dust emptying)	680 W

Battery Disposal and Removal

The built-in lithium-ion battery contains substances that are hazardous to the environment. Before disposing of the battery, make sure the battery is removed by qualified technicians and discarded at an appropriate recycling facility.

- the battery must be removed from the appliance before it is scrapped;
- the appliance must be disconnected from the supply mains when removing the battery;
- the battery is to be disposed of safely.

CAUTION:

Before removing the battery, disconnect the power and run out the battery as much as possible.

Unneeded batteries should be discarded at an appropriate recycling facility.

Do not expose to high temperature environment to avoid risks of explosion.

Under abusive conditions, liquid may be ejected from the battery. If contact occurs, flush with water and seek medical help.

Removal Guide:

1. Turn over the robot, use a proper tool to remove the screws on the back of the robot, and then remove the cover.
2. Unplug the terminals between the battery and PCB board to remove the battery.

WEEE Information



All products bearing this symbol are waste electrical and electronic equipment (WEEE as in directive 2012/19/EU) which should not be mixed with unsorted household waste. Instead, you should protect human health and the environment by handing over your waste equipment to a designated collection point for the recycling of waste electrical and electronic equipment, appointed by the government or local authorities. Correct disposal and recycling will help prevent potential negative consequences to the environment and human health. Please contact the installer or local authorities for more information about the location as well as terms and conditions of such collection points.

Информация по технике безопасности

Во избежание поражения электрическим током, возгорания или травм, вызванных некорректным использованием устройства, перед началом работы внимательно прочтите руководство пользователя и сохраните его для дальнейшего использования.

Ограничения по эксплуатации

- В целях обеспечения безопасной эксплуатации и во избежание рисков не допускается использование данного изделия детьми младше 8 лет и лицами с ограниченными физическими, сенсорными или умственными способностями, а также с ограниченным опытом или знаниями, без присмотра родителя или опекуна. Не позволяйте детям осуществлять чистку и техническое обслуживание устройства без присмотра.
- Данное устройство оснащено аккумулятором, который должны заменять только квалифицированные технические специалисты.
- Уберите посторонние предметы из зоны для уборки. Не позволяйте детям играть с устройством. Убедитесь, что дети и животные находятся на безопасном расстоянии от устройства во время работы.
- Запрещается устанавливать, заряжать и использовать устройство в ванной комнате и вблизи бассейнов.
- Данное устройство предназначено только для очистки пола в домашних условиях. Не используйте его на открытом воздухе, иных поверхностях, кроме пола, а также в коммерческих или промышленных помещениях.
- Если кабель питания поврежден, замените его специальным кабелем или комплектом, приобретенным у производителя или в соответствующем сервисном центре.

Информация по технике безопасности

Ограничения по эксплуатации

- Не используйте робота в областях, расположенных над полом, без защитного барьера.
- Запрещается переворачивать робота. Запрещается переносить робота держа его за крышку лидара, крышку самого робота или бампер.
- Используйте робот-пылесос в средах с температурой окружающей среды выше 0 °С или ниже 40 °С. Убедитесь, что на полу нет жидкостей или липких веществ.
- Во избежание повреждения или нарушения работы устройства из-за волочения предметов, перед его включением соберите все посторонние предметы с пола и уберите провода и кабели питания с пути движения устройства во время уборки.
- Уберите с пола хрупкие и мелкие предметы, чтобы робот не врезался в них и не повредил.
- Не допускайте попадания волос, пальцев и других частей тела во всасывающее отверстие робота.
- Запрещается использовать устройство в комнате со спящим младенцем или ребенком.
- Не размещайте на роботе детей, животных или какие-либо предметы, независимо от того, остановлен он или движется.
- Не используйте робота для уборки горящих веществ. Запрещается использовать робота для уборки воспламеняющихся или горючих жидкостей, агрессивных газов, неразбавленных кислот или растворителей.
- Не используйте робота для уборки твердых и острых предметов. Запрещается использовать робота для уборки камней, крупных кусков бумаги и других предметов, которые могут застрять в устройстве.

Информация по технике безопасности

Ограничения по эксплуатации

- Перед очисткой и ремонтом выключите устройство и отключите его от розетки.
- Запрещается протирать робота и базовую станцию влажным полотенцем или промывать жидкостью. После очистки моющихся деталей их необходимо полностью просушить перед повторной установкой и использованием.
- Используйте данное устройство согласно руководству пользователя. За убытки и ущерб, возникшие из-за несоблюдения инструкций, ответственность несет пользователь.

Аккумулятор и зарядка

- Запрещается использовать аккумулятор или базовую станцию с функцией самоочистки от других производителей. Используйте только с блоком питания RCED0106.
- Запрещается самостоятельно разбирать, ремонтировать или модифицировать аккумулятор или базовую станцию с функцией самоочистки.
- Запрещается размещать базовую станцию с функцией самоочистки рядом с источником тепла.
- Запрещается протирать или очищать зарядные контакты базовой станции с функцией самоочистки влажным полотенцем или влажными руками.
- Запрещается утилизировать старые аккумуляторы ненадлежащим образом. Нерабочие аккумуляторы следует сдавать в соответствующие пункты переработки.
- Если кабель питания поврежден или сломан, немедленно прекратите использование устройства и обратитесь в службу послепродажного обслуживания.

Информация по технике безопасности

Аккумулятор и зарядка

- Перед транспортировкой убедитесь, что робот выключен, и по возможности храните его в оригинальной упаковке.
- Если робот не будет использоваться в течение длительного периода, полностью зарядите его, отключите и храните в сухом прохладном месте. Во избежание чрезмерной разрядки аккумулятора заряжайте робота не реже одного раза каждые три месяца.

Техника безопасности при использовании лазера

- Невидимый лазерный датчик в данном изделии соответствует стандартам МЭК 60825-1:2014, EN 60825-1:2014+A11:2021, EN 50689:2021 для лазерных изделий класса 1. Во время использования избегайте прямого контакта глаз с лазером.

ЛАЗЕРНОЕ ИЗДЕЛИЕ КЛАССА 1
ПОТРЕБИТЕЛЬСКОЕ ЛАЗЕРНОЕ ИЗДЕЛИЕ
EN 50689:2021

Макс. выходная мощность: <0,39 mW
Длина волны: 840–860 nm
Длительность импульса: 0,125 ms

Информация по технике безопасности

Меры предосторожности при хранении и транспортировке

- Продукт должен транспортироваться в упаковке. Не подвергайте продукт давлению или ударам во время транспортировки.
- Пожалуйста, избегайте сильных столкновений во время транспортировки.
- Не транспортируйте прибор при температуре выше 50 °C или ниже -20 °C.
- В течение короткого периода, например одного месяца, прибор рекомендуется хранить при температуре от -20 °C до 50 °C и относительной влажности 60 % ± 5 %. В течение длительного времени храните прибор при температуре окружающей среды от 0 °C до 40 °C.
- Утилизируйте прибор надлежащим образом. Когда его срок службы подойдет к концу, утилизируйте прибор в соответствии с местными законами и правилами страны или региона, в котором он используется.

Правила и условия реализации: без ограничений.

Импортер продает этот продукт; информацию об импортере см. на упаковке.

Сведения об импортере и контактная информация отдела послепродажного обслуживания указаны на упаковке.

Дата изготовления: см. на упаковке

Срок службы продукции 3 года.

Настоящим компания Dreame Trading (Tianjin) Co., Ltd. заявляет, что тип радиооборудования RLE12GD соответствует требованиям Директивы 2014/53/EU. Полный текст декларации о соответствии нормативным требованиям ЕС доступен по следующему адресу: <https://trouver-tech.com>
Подробное электронное руководство см. по адресу <https://www.trouver-tech.com/pages/user-manuals-and-faqs>

Информация по технике безопасности

ВНИМАНИЕ!

Во избежание опасности из-за случайного сброса термовыключателя запрещается подавать питание на прибор через внешнее переключающее устройство, например таймер, или подключать его к цепи, которая регулярно включается и выключается энергосистемой.



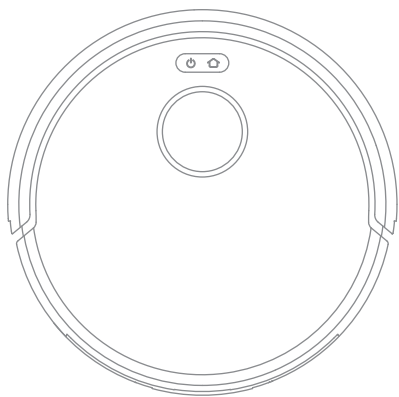
Только для использования в помещении



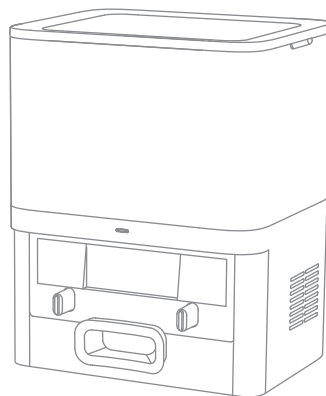
Прочитайте руководство пользователя

Описание изделия

Комплектация



Робот

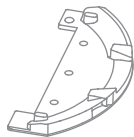


Базовая станция с функцией автоопорожнения

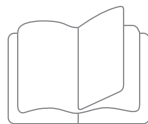
Другие принадлежности



Боковая щетка



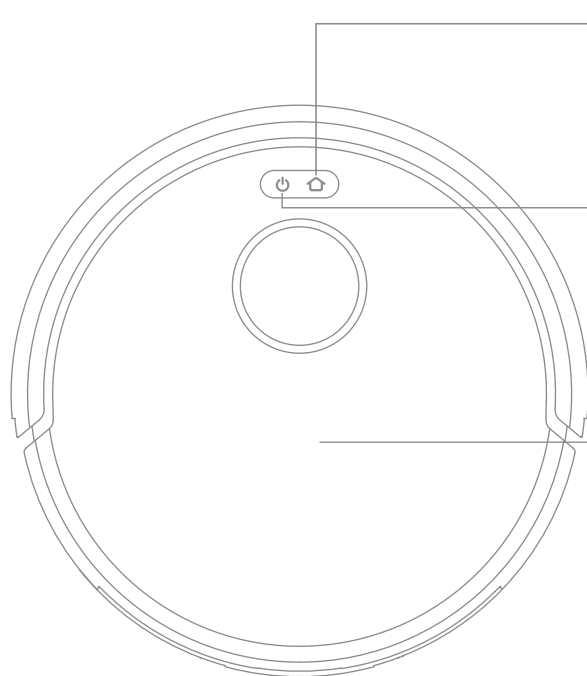
Модуль швабры



Руководство пользователя

Описание изделия

Робот



⏪ Кнопка возврата на станцию / кнопка точечной уборки

- Нажмите кнопку, чтобы отправить робота обратно на базовую станцию
- Нажмите и удерживайте кнопку в течение 3 секунд, чтобы начать точечную уборку
- Нажмите и удерживайте кнопку в течение 7 секунд, чтобы включить/выключить блокировку от детей

⏻ Кнопка питания/уборки

- Нажмите и удерживайте в течение 3 секунд, чтобы включить устройство, или нажмите и удерживайте в течение 5 секунд, чтобы выключить его
- Нажмите, чтобы начать уборку, когда робот включен

Крышка

Индикатор состояния

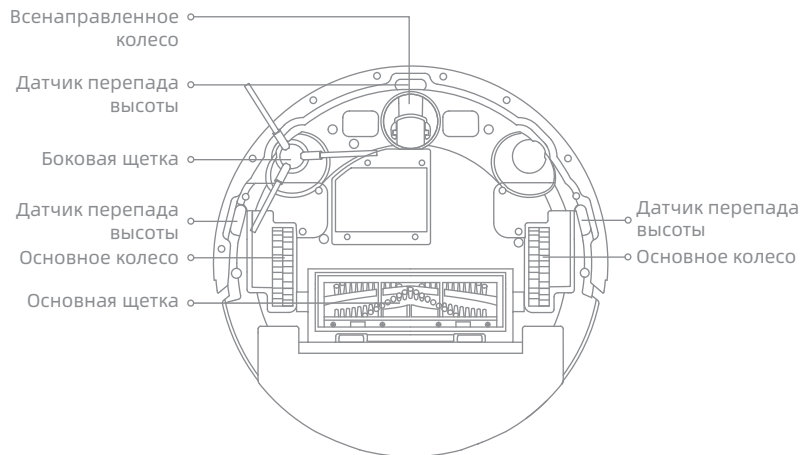
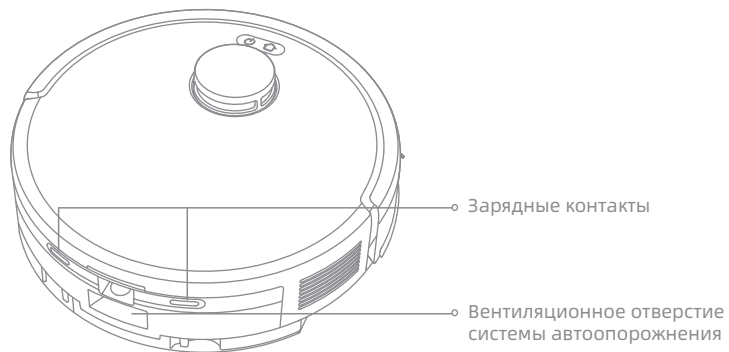
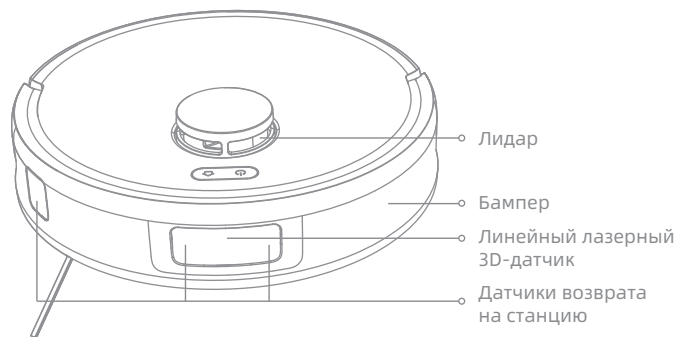
- Постоянно горит белым: уборка продолжается или уборка завершена
- Мигает оранжевым: выполняется возврат для зарядки
- Мигает оранжевым: ошибка
- Постоянно горит оранжевым: низкий заряд аккумулятора

Примечание.

- Нажмите любую кнопку на роботе, чтобы поставить процесс на паузу, пока робот выполняет уборку или возвращается для зарядки.
- Нажмите и удерживайте кнопки ⏪ и ⏻ в течение 3 секунд, чтобы сбросить настройки Wi-Fi.
- Нажмите и удерживайте кнопки ⏪ и ⏻ в течение 10 секунд, чтобы восстановить заводские настройки.
- Блокировку от детей можно включить/выключить с помощью приложения.

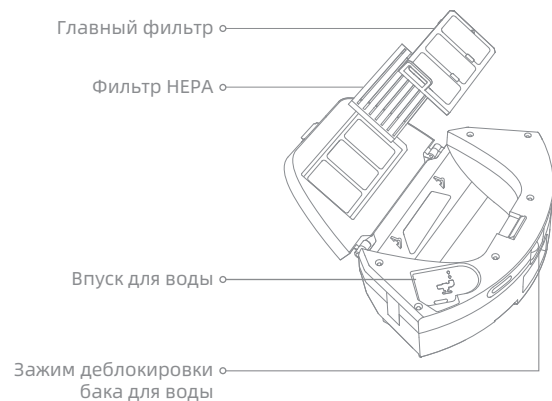
Описание изделия

Робот и датчики

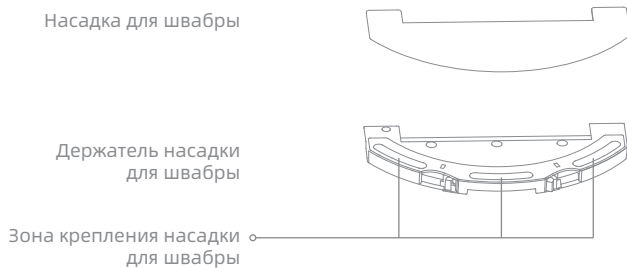


Описание изделия

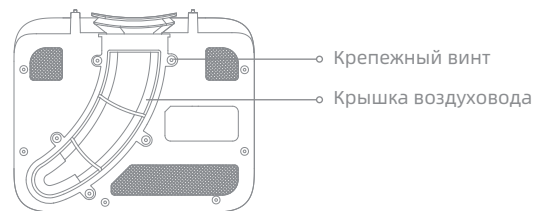
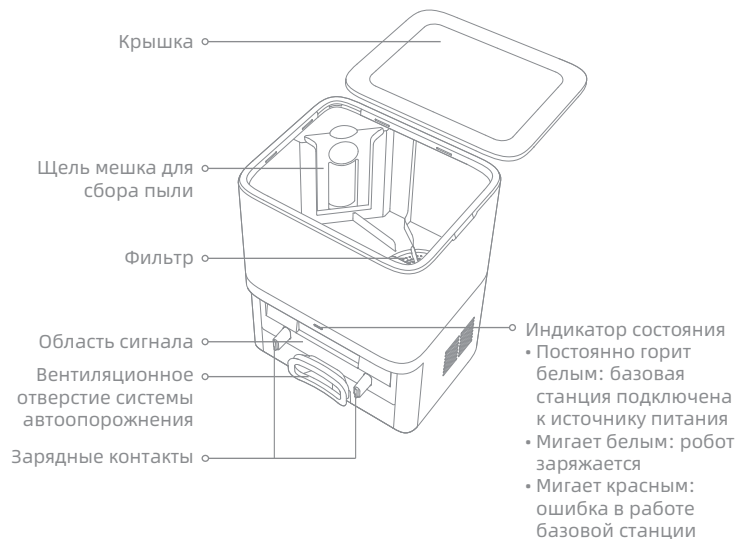
Бак для воды «2-в-1» с контейнером для пыли



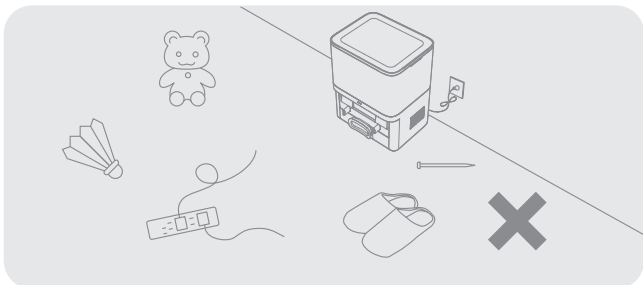
Модуль швабры



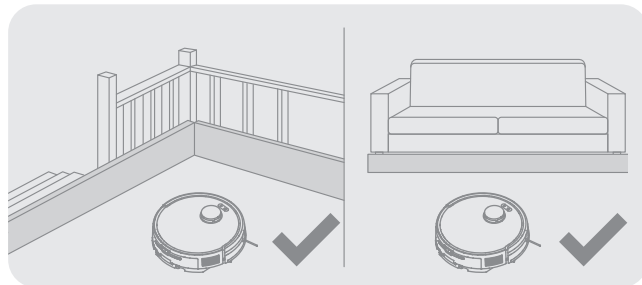
Базовая станция с функцией автоопорожнения



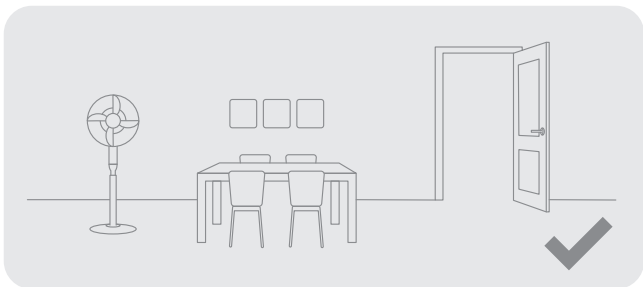
Подготовка дома



Перед началом уборки уберите с пола неустойчивые, хрупкие, ценные или опасные предметы, а также кабели, одежду, игрушки, твердые и острые предметы, чтобы робот не запутался в них, не поцарапал/не опрокинул и не повредил такие предметы.



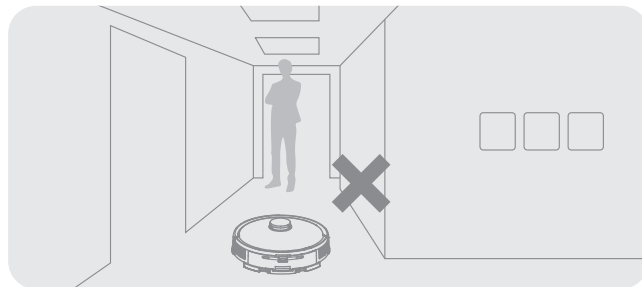
Перед уборкой установите физические барьеры у основания лестницы и рядом с диваном, чтобы обеспечить безопасность и бесперебойность работы пылесоса.



Откройте дверь помещения, в котором будет проводиться уборка, и расставьте мебель таким образом, чтобы оставить больше пространства для уборки.

Примечание.

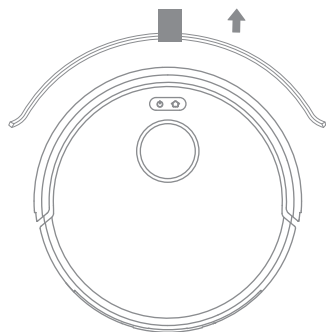
- При первом использовании робота находитесь в зоне уборки, чтобы вовремя убирать посторонние предметы с его пути.
- Не допускайте засасывания пылесосом твердых предметов, таких как камни, стальные шарики и детали игрушек, а также острых предметов, таких как строительный мусор, битое стекло и гвозди. При несоблюдении данного требования на полу могут остаться царапины.



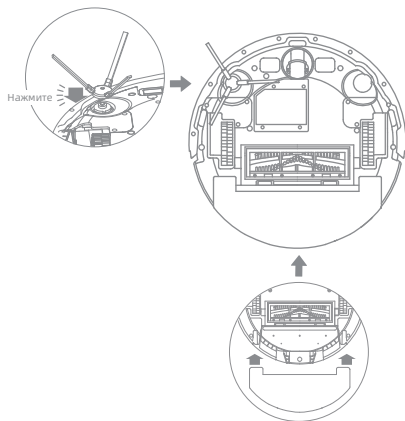
Не вставайте перед роботом, в дверном проеме или узком проходе, чтобы робот мог корректно распознавать зоны предстоящей уборки.

Перед использованием

1. Уберите защитные устройства



2. Установите боковую щетку и модуль швабры

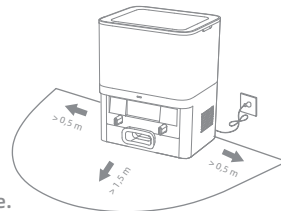


Примечание: установите боковую щетку так, чтобы раздался щелчок.

3. Разместите базовую станцию и подключите ее к розетке

Поместите базовую станцию на ровную поверхность около стены и вставьте штепсель кабеля питания в розетку.

- Расположите базовую станцию на максимально открытой поверхности в месте со стабильным сигналом Wi-Fi.



Примечание.

- Не помещайте базовую станцию на ковер.
- Убедитесь, что в области сигнала нет посторонних предметов.
- Уберите все предметы, расположенные ближе чем в 1,5 м от передней стороны базовой станции и 0,5 м от ее боковых сторон.

4. Зарядка робота

При установке робота совместите его зарядные контакты с зарядными контактами базовой станции: робот автоматически включится и начнет заряжаться.

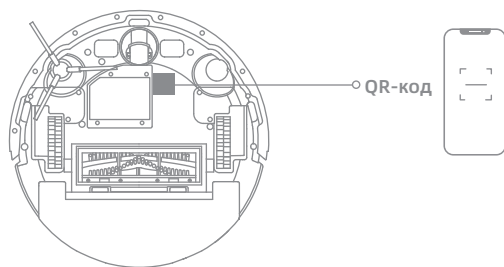


Примечание: рекомендуется полностью зарядить робота перед первым использованием

Подключение к устройству с помощью приложения

1. Загрузите приложение

Отсканируйте QR-код на роботе, чтобы загрузить и установить приложение.





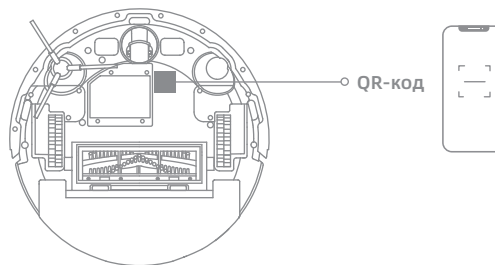
Примечание.

- Поддерживается только сеть Wi-Fi с частотой 2,4 ГГц.
- Приложение регулярно обновляется. Фактические действия могут отличаться от указанных в данном руководстве. Следуйте инструкциям, опираясь на текущую версию приложения.

2. Добавление устройства



Откройте приложение, нажмите «Отсканировать QR-код для подключения» и еще раз отсканируйте тот же QR-код на роботе, чтобы добавить устройство. Для завершения подключения к Wi-Fi следуйте подсказкам.

Примечание: если вы хотите сбросить настройки Wi-Fi, нажмите и удерживайте кнопки  и  в течение 3 секунд или повторите шаг 2, а затем следуйте инструкциям, чтобы завершить подключение Wi-Fi.



Правила эксплуатации изделия


Включение/выключение

Чтобы включить робота, нажмите и удерживайте кнопку  в течение 3 секунд. Индикатор питания должен загореться. Поместите робота на базовую станцию: робот должен автоматически включиться и начать процесс зарядки. Для выключения робота снимите его с базовой станции, после чего нажмите и удерживайте кнопку  в течение 5 секунд.

Быстрое построение карты

После первой настройки сети следуйте инструкциям в приложении, чтобы быстро построить карту. Робот начнет строить карту, не приступая к уборке. После того как робот вернется на базовую станцию, построение карты будет завершено и карта будет сохранена автоматически.

Начало уборки

После включения робота нажмите кнопку , чтобы начать уборку. Робот точно проложит маршрут, последовательно очистит края и стены, а затем завершит уборку каждой комнаты, перемещаясь по S-образному маршруту, чтобы обеспечить эффективный результат.

Примечание.

- Рекомендуется, чтобы перед уборкой робот покинул базовую станцию. Не перемещайте базовую станцию, когда робот выполняет уборку. Это гарантирует, что робот беспрепятственно вернется на базовую станцию.
- После того как робот завершит уборку и автоматически вернется на базовую станцию, базовая станция автоматически начнет автоопорожнение. Дополнительные настройки управления доступны в приложении.

Приостановка работы

Во время работы устройства нажмите на любую кнопку, чтобы приостановить процесс уборки.

Примечание: после приостановки и возврата робота на базовую станцию текущая задача по уборке будет прервана.

Автоматическое возобновление уборки

Если заряд батареи слишком низкий, робот автоматически вернется на базовую станцию для зарядки. После зарядки аккумулятора до соответствующего уровня робот возобновит выполнение незавершенных задач по уборке.

Примечание: для использования данной функции включите ее в приложении.


Режим «Не беспокоить»

В режиме «Не беспокоить» робот не сможет возобновить уборку, а индикатор питания погаснет. В заводских настройках режим «Не беспокоить» выключен по умолчанию. Включить режим «Не беспокоить» и изменить его длительность можно в приложении. По умолчанию для режима «Не беспокоить» настроен период времени с 22:00 до 8:00.



Примечание.

- Уборка по расписанию при включенном режиме «Не беспокоить» будет выполняться как обычно.
- Робот возобновит уборку в месте остановки после выхода из режима «Не беспокоить».

Точечная уборка

Чтобы включить режим точечной уборки, нажмите кнопку  в течение 3 секунд, когда робот находится в режиме ожидания. В этом режиме робот выполнит уборку квадратного участка 1,5 × 1,5 метра вокруг себя, а после завершения уборки вернется на зарядку.

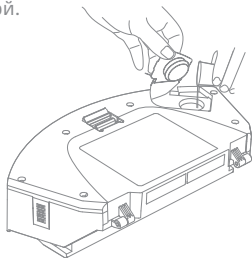
Перезагрузка робота

Если робот не реагирует на команды или не выключается, нажмите и удерживайте кнопку  в течение 15 секунд для его принудительного выключения. Затем нажмите и удерживайте кнопку  в течение 3 секунд, чтобы включить робота.

Использование функции влажной уборки

Перед первой влажной уборкой рекомендуется пропылесосить все полы не менее трех раз, чтобы добиться наилучшего результата.

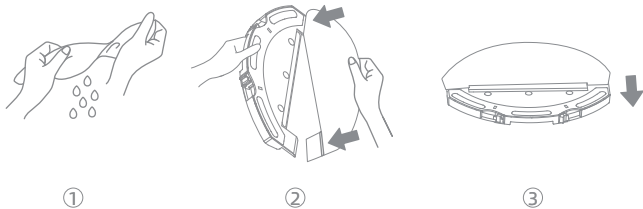
1. Заполните бак чистой водой.



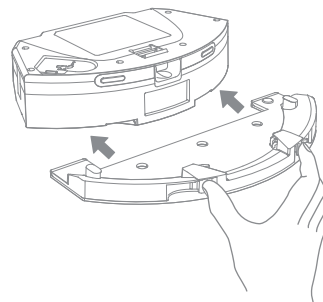
Примечание.

- Не используйте чистящее или дезинфицирующее средство.
- Не наполняйте бак для воды горячей водой, так как это может привести к его деформации.

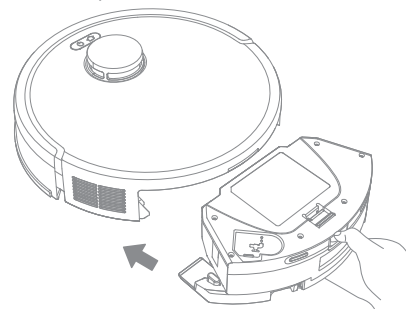
2. Смочите насадку для швабры и выжмите лишнюю воду. Установите насадку для швабры, как показано на рисунке.



3. Установите модуль швабры.

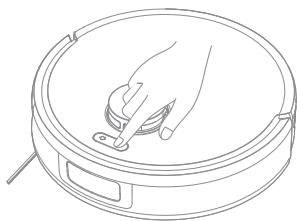


4. Вставьте бак для воды «2-в-1» с контейнером для пыли и модулем швабры в робота так, чтобы раздался щелчок.



Правила эксплуатации изделия

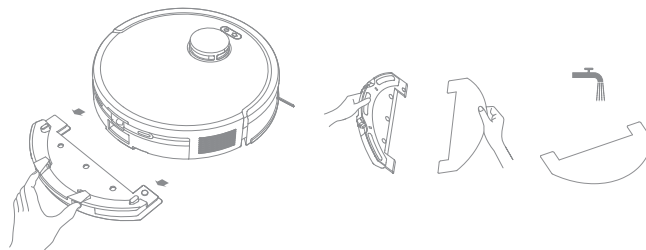
5. Чтобы начать уборку, нажмите кнопку  или используйте приложение.



Примечание.

- Рекомендуется снять модуль швабры перед чисткой ковров.
- Используйте приложение, чтобы при необходимости отрегулировать расход воды.

6. Когда робот завершит задачу по уборке и вернется на базовую станцию, снимите модуль швабры и своевременно промойте насадку для швабры. Чтобы вынуть бак для воды «2-в-1» с контейнером для пыли, нажмите и удерживайте зажим деблокировки, а затем выньте бак.



Примечание: когда робот заряжается или не используется, рекомендуется снять бак для воды «2-в-1» с контейнером для пыли и насадку для швабры. Вылейте всю оставшуюся воду из бака для воды и промойте насадку для швабры, чтобы предотвратить образование плесени и неприятного запаха.

Плановое обслуживание

Компоненты

Для обеспечения надлежащей работы устройства рекомендуется выполнять его плановое обслуживание в соответствии с разделом «Использование принадлежностей» в приложении или с таблицей ниже.

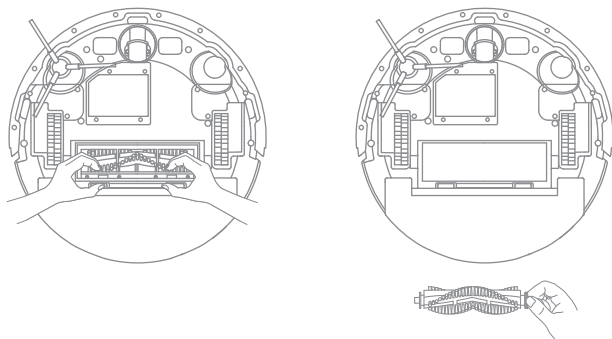
Компонент	Частота обслуживания	Частота замены
Насадка для швабры	После каждого использования	Раз в 3-6 месяцев
Фильтр	Раз в неделю	
Основная щетка	Раз в месяц	Раз в 6-12 месяцев
Боковая щетка		Раз в 3-6 месяцев
Зарядные контакты робота		/
Вентиляционное отверстие системы автоопорожнения робота		
Лидар		
Датчики возврата на станцию		
Бампер		
Линейный лазерный 3D-датчик		
Всенаправленное колесо		
Датчики перепада высоты		
Нижняя часть робота		
Область сигнала базовой станции		
Зарядные контакты базовой станции		
Вентиляционное отверстие системы автоопорожнения базовой станции		
Бак для воды		
Контейнер для пыли		
Мешок для сбора пыли	/	Раз в 2-4 месяца

Примечание: частота замены зависит от способа использования робота. При возникновении исключительных обстоятельств следует выполнить замену компонентов.

Плановое обслуживание

Основная щетка

1. Надавите на зажимы защиты щетки вверх, чтобы извлечь защиту щетки и достать щетку из робота.



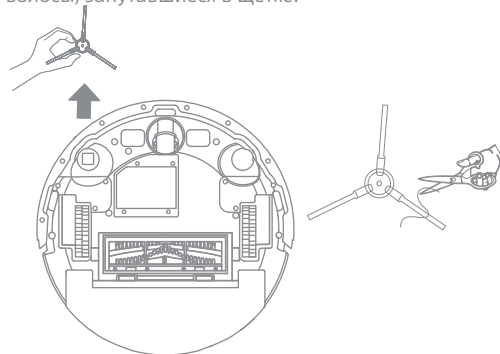
2. С помощью соответствующего инструмента удалите волосы, запутавшиеся в щетке.



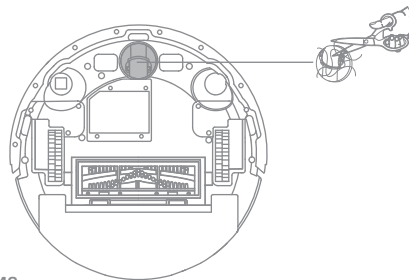
Примечание: не тяните слишком сильно волосы, запутавшиеся в основной щетке. В противном случае вы можете повредить щетку.

Боковая щетка

Выньте боковую щетку и с помощью соответствующего инструмента удалите волосы, запутавшиеся в щетке.



Всенаправленное колесо



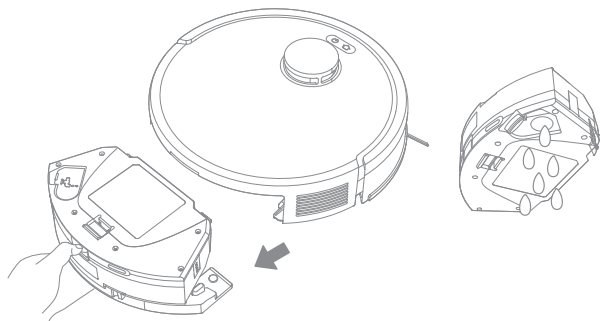
Примечание.

- Отделите ось и обод всенаправленного колеса с помощью небольшой отвертки. Не прилагайте чрезмерных усилий.
- Промойте всенаправленное колесо под проточной водой, тщательно просушите и установите на место.

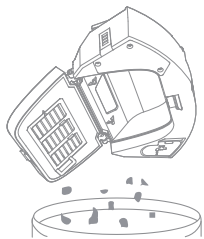
Плановое обслуживание

Бак для воды «2-в-1» с контейнером для пыли

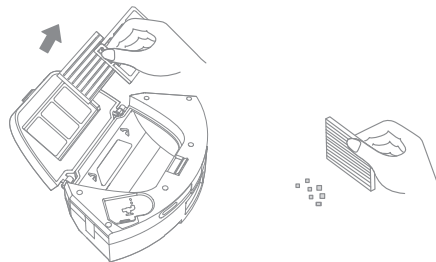
1. Нажмите зажим деблокировки, чтобы вынуть бак для воды «2-в-1» с контейнером для пыли, а затем опорожните бак для воды.



2. Откройте крышку контейнера для пыли и опорожните его.

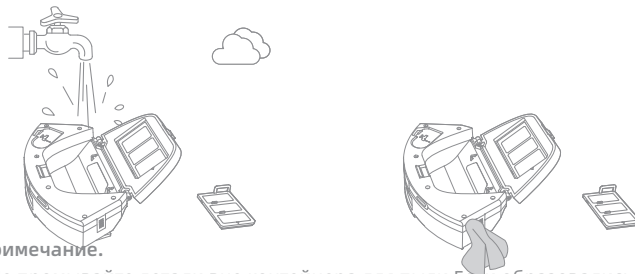


3. Снимите фильтры и слегка постучите по фильтру HEPA.



Примечание: не пытайтесь чистить фильтры щеткой, пальцами или острыми предметами, чтобы не повредить их.

4. Промойте контейнер для пыли и главный фильтр водой, а затем тщательно просушите их перед повторной установкой.



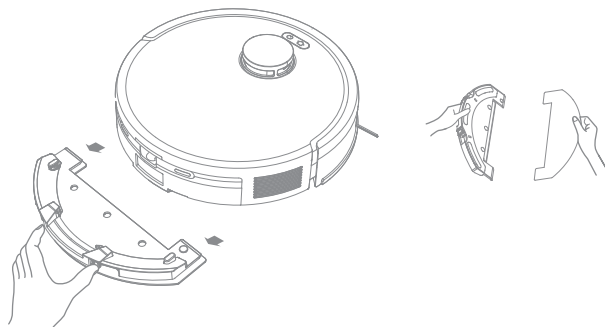
Примечание.

- Не промывайте детали вне контейнера для пыли. Если образовались пятна от воды, вытрите их насухо перед повторной установкой.
- Промывайте контейнер для пыли и главный фильтр только чистой водой. Запрещается использовать чистящее средство.
- Используйте контейнер для пыли и главный фильтр только после тщательной сушки.

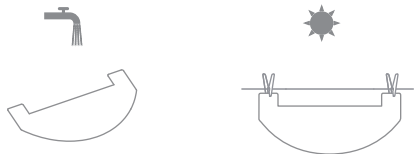
Плановое обслуживание

Насадка для швабры

1. Нажмите на зажимы деблокировки на держателе насадки для швабры, чтобы снять модуль швабры. Извлеките насадку для швабры из держателя.

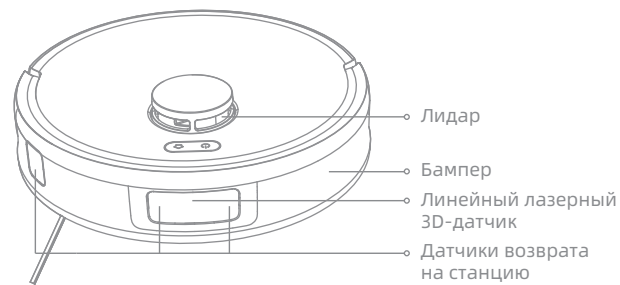


2. Вымойте насадку для швабры одной водой и дайте ей высохнуть на воздухе перед повторной установкой.

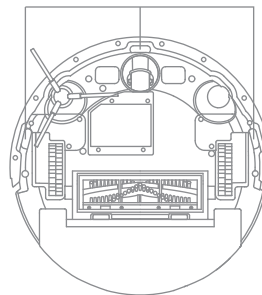


Датчики робота

Протрите датчики робота мягким и сухим полотенцем, как показано на рисунке ниже:



Датчики перепада высоты

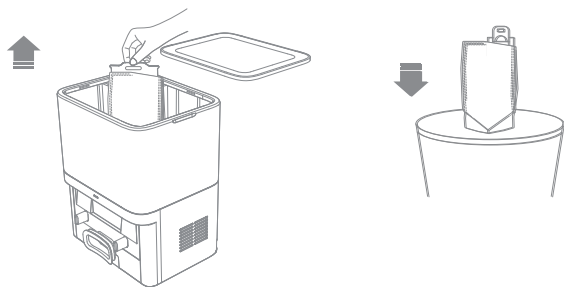


Примечание: влажное полотенце может повредить чувствительные элементы робота и базовой станции. Для очистки используйте только сухое полотенце.

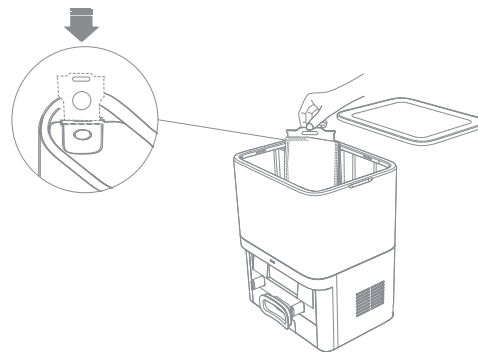
Плановое обслуживание

Мешок для сбора пыли

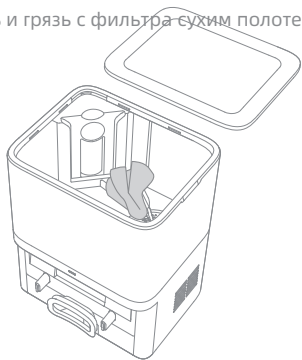
1. Выньте и утилизируйте мешок для сбора пыли.



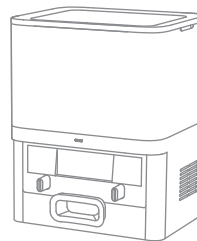
3. Установите новый мешок для сбора пыли.



2. Очистите пыль и грязь с фильтра сухим полотенцем.



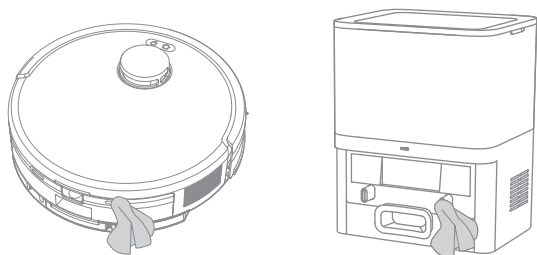
4. Вновь установите крышку отсека для пыли.



Плановое обслуживание

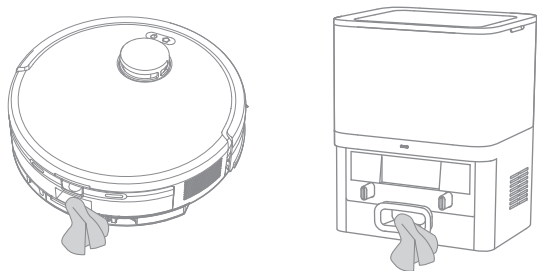
Зарядные контакты и область сигнала

Очистите зарядные контакты и область сигнала мягким и сухим полотенцем.



Вентиляционные отверстия системы автоопорожнения

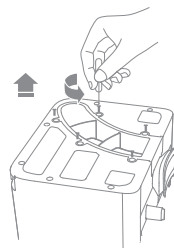
Протрите вентиляционные отверстия системы автоопорожнения робота и базовой станции сухим и мягким полотенцем.



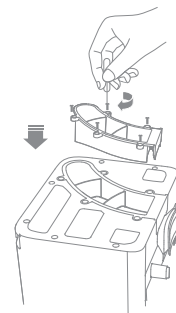
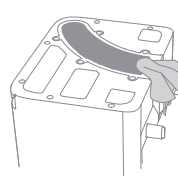
Воздуховод

Если воздуховод засорен, очистите его, выполнив следующие действия.

1. Открутите крепежные винты на крышке воздуховода и снимите крышку.



2. Проверьте, не заблокирован ли воздуховод посторонними предметами. В случае засора удалите его.



3. вновь установите крышку воздуховода на место.


Аккумулятор

Робот оборудован высокопроизводительным литий-ионным аккумулятором. Для гарантии оптимальной работы следите, чтобы аккумулятор был заряжен. Если робот не используется в течение продолжительного времени, выключите и уберите его. Во избежание повреждений от глубокой разрядки аккумулятора заряжайте робота минимум один раз каждые три месяца.

Проблема	Решение
Робот не включается.	<p>Низкий заряд аккумулятора. Зарядите робота на базовой станции и повторите попытку.</p> <p>Температура аккумулятора слишком низкая или слишком высокая. Рекомендуемая температура эксплуатации устройства: от 0 °C до 40 °C.</p>
Робот не заряжается.	<p>Базовая станция не подключена к источнику питания. Убедитесь, что штепсель кабеля питания правильно вставлен в разъем.</p> <p>Зарядные контакты базовой станции и робота слабо контактируют. Очистите зарядные контакты.</p>
Сбой подключения робота к сети Wi-Fi.	<p>Неверный пароль от сети Wi-Fi. Убедитесь, что пароль для подключения к сети Wi-Fi введен верно.</p> <p>Робот не поддерживает сеть Wi-Fi с частотой 5 ГГц. Убедитесь, что робот подключен к сети Wi-Fi с частотой 2,4 ГГц.</p> <p>Слабый сигнал Wi-Fi. Убедитесь, что робот находится в зоне стабильного сигнала Wi-Fi.</p> <p>Робот не готов к настройке. Выйдите из приложения и зайдите еще раз, затем повторите попытку согласно инструкциям.</p>
Робот не может найти базовую станцию и вернуться на нее.	<p>Базовая станция отключена от источника питания или была перемещена, пока робот выполнял уборку. Подключите базовую станцию к источнику электропитания или поместите робота на базовую станцию для зарядки.</p> <p>Вокруг базовой станции слишком много препятствий. Расположите базовую станцию на более открытом пространстве.</p> <p>Из-за перемещения робот может начать определять свое местоположение повторно. В случае сбоя повторного определения местоположения карта будет создана повторно. Если робот находится слишком далеко от базовой станции, он не сможет автоматически вернуться самостоятельно. В таком случае необходимо вручную вернуть робота на базовую станцию.</p> <p>Протрите область сигнала базовой станции, чтобы удалить пыль или грязь.</p>
Робот застрял перед базовой станцией и не может вернуться на нее.	<p>Чтобы робот не застрял, уберите все посторонние предметы на расстоянии 1,5 м от передней стороны базовой станции и 0,5 м от ее боковых сторон.</p> <p>Маршрут возврата для подзарядки заблокирован, например, закрыта дверь.</p> <p>Рекомендуется переместить базовую станцию в другое место и повторить попытку.</p>

Устранение неисправностей

Проблема	Решение
Робот не выключается.	<p>Робота нельзя выключить во время зарядки. Чтобы выключить робота, рекомендуется убрать его с базовой станции, а затем нажать и удерживать кнопку (⏻) в течение 5 секунд.</p> <p>Если робота невозможно выключить согласно инструкциям, описанным в шаге 1, нажмите и удерживайте кнопку (⏻) в течение 15 секунд, чтобы принудительно выключить его. Если проблема сохраняется, свяжитесь со службой послепродажного обслуживания.</p>
Робот заряжается медленно.	<p>При низком заряде полная зарядка аккумулятора занимает около 5 часов.</p> <p>Если робот используется при температуре, которая не соответствует установленному диапазону, скорость зарядки автоматически снижается, чтобы увеличить время использования аккумулятора.</p> <p>Зарядные контакты робота и базовой станции могли загрязниться. Протрите их сухим полотенцем.</p>
В процессе работы устройства увеличивается шум.	<p>Проверьте фильтр контейнера для пыли на наличие засора. При наличии засора очистите или замените фильтр.</p> <p>В основной щетке или контейнере для пыли мог застрять твердый предмет. Проверьте и удалите все твердые предметы.</p> <p>В основной или боковой щетке мог запутаться посторонний предмет. Проверьте и удалите все посторонние предметы. Переключите режим всасывания на «Стандартный» или «Тихий».</p>
Робот не придерживается установленного маршрута.	<p>Перед началом использования робота все посторонние предметы, такие как кабели питания и тапки, необходимо убрать в сторону.</p> <p>Основное колесо может скользить на влажной скользкой поверхности. Рекомендуется просушить все влажные зоны перед началом использования робота.</p>
Робот пропускает комнаты во время уборки.	<p>Убедитесь, что двери в комнаты, которые необходимо убрать, открыты.</p> <p>Робот не может переезжать через высокие пороги или ступеньки.</p> <p>Пространство перед комнатой, которую необходимо убрать, может быть влажным и скользким, поэтому робот скользит и работает некорректно. Попробуйте просушить пол перед началом использования робота.</p>

Проблема	Решение
Робот не может возобновить уборку после подзарядки.	Убедитесь, что режим «Не беспокоить» выключен. В противном случае робот не сможет возобновить уборку. Робот не возобновит уборку, после того как вы вручную разместите робота на базовой станции или отправите его на подзарядку с помощью приложения или нажав кнопку  .
Базовая станция не удаляет содержимое контейнера для пыли автоматически.	Проверьте, заполнен ли мешок для сбора пыли в отсеке для пыли. Если мешок для сбора пыли не заполнен, проверьте вентиляционные отверстия системы автоопорожнения робота, базовой станции или контейнера для пыли на наличие посторонних предметов. При наличии таких посторонних предметов своевременно прочистите соответствующую деталь.
Вода из бака для воды не выходит совсем или выходит в очень малом количестве.	Проверьте, есть ли вода в баке. Промойте насадку для швабры, если она загрязнилась. Убедитесь, что насадка для швабры установлена правильно в соответствии с руководством пользователя.
Робот возвращается на базовую станцию без выполнения задач по автоопорожнению.	Режим «Не беспокоить» не позволяет роботу выполнять задачи по автоопорожнению.

Для получения дополнительной поддержки свяжитесь с нами по адресу: <https://trouver-tech.com>.

Технические характеристики

Робот

Модель	RLE12SD
Время зарядки	Ок. 5 часов
Номинальное напряжение	14,4 V ---
Номинальная мощность	50 W
Рабочая частота	2400–2483,5 MHz
Макс. выходная мощность	< 20 dBm

При обычных условиях использования между антенной данного оборудования и телом пользователя должно сохраняться расстояние не менее 20 см.

Базовая станция с функцией автоопорожнения

Модель	RCED0106
Номинальный вход	200–240 V \sim 50–60 Hz
Номинальный выход	19 V --- 0,7 A
Номинальная мощность (во время удаления пыли)	680 W

Извлечение и утилизация аккумулятора

Встроенный литий-ионный аккумулятор содержит вещества, представляющие опасность для окружающей среды. Перед утилизацией аккумулятора в соответствующем пункте переработки его должен извлечь из устройства квалифицированный специалист.

- для утилизации аккумулятор необходимо вынуть из устройства;
- при извлечении аккумулятора устройство должно быть отключено от электросети;
- аккумулятор необходимо утилизировать безопасным способом.

ВНИМАНИЕ!

Прежде чем извлекать аккумулятор, отключите электропитание и максимально разрядите аккумулятор.

Нерабочие аккумуляторы следует сдавать в соответствующие пункты переработки.

Не подвергайте аккумулятор воздействию высокой температуры во избежание риска взрыва.

При нарушении правил эксплуатации из аккумулятора может вылиться жидкость. В случае контакта с такой жидкостью промойте пораженный участок водой и обратитесь за медицинской помощью.

Инструкции по извлечению

1. Переверните робота, с помощью подходящего инструмента открутите винты на его задней части, а затем снимите крышку.
2. Чтобы извлечь аккумулятор, отсоедините клеммы между аккумулятором и печатной платой.

Информация об утилизации и переработке отходов электрического и электронного оборудования



Все изделия с символом раздельного сбора отработанного электрического и электронного оборудования (Директива WEEE 2012/19/EU) следует утилизировать отдельно от несортируемых бытовых отходов. С целью охраны здоровья и защиты окружающей среды такое оборудование необходимо сдавать на переработку в специальные пункты приема электрического и электронного оборудования, определенные правительством или местными органами власти. Правильная утилизация и переработка помогут предотвратить возможные негативные последствия для окружающей среды и здоровья человека. Для получения информации о местонахождении и порядке приема устройств в пунктах приема обратитесь в компанию, занимающуюся установкой оборудования, или в местные органы власти.



For more support, contact us via <https://trouver-tech.com>
Manufactured by: Dreame Trading (Tianjin) Co., Ltd.
Made in China

RU-A00
08/2024