



Outlook of devices, aslo colour scores can be revised without any special advance notices.

Производитель вправе менять внешний вид прибора и цветовую гамму прибора без специального уведомления.

Instruction manual Руководство по эксплуатации

*Электрический
увлажнитель
воздуха*

*Electric
humidifier*

Модели/Models:

THU UL 28 (W)
THU UL 28 (BL)

Цвет/Color:

(W) - белый / white
(BL) -черный / black

Руководство по эксплуатации включает в себя гарантийный талон

CONTENTS

1. Important information	2
2. Safety rules	3
3. Specification	4
4. Description of the unit	4
5. Scope of delivery	5
6. Appliance operation	5
7. Cartridge filter	6
8. Cleaning and maintenance	7
9. Troubleshooting	7

Dear customer!

We thank you for your happy choice! You've bought an air humidifier TIMBERK. It will serve you for a long time. Please, read this manual carefully before operating the device!

Humidifier is used to raised relative humidity level up, improving microclimate. It helps to eliminate problems connected with low air humidity.

1. IMPORTANT INFORMATION

The manufacturer reserves the right to make changes in the design, scope of delivery or product manufacturing process in order to improve its properties without any prior notice of the customer. The text and digital designations in this instruction manual may contain misprints.

If after reading the instruction manual you still have question as to the operation and use of the unit, contact the seller or the specialized service center for clarification. The product has a tag specifying all necessary technical data and other useful information about the unit.

Use this unit only for the purpose, listed in this manual.

The humidifier is intended to humidify room air. Comfortable conditions are provided at relative air humidity of 40 to 60%. Insufficient air humidity results in dehumidification of mucous membranes which in its turn is the cause of decrease in immunity, head ache, cracking of lips, "sandpaper" in the eyes, also enables development of infection and causes respiratory illnesses, fatigue, increased eye fatigue and worsening of attention concentration, and has negative effect on pets and indoor plants, and causes increased dust generation and electrostatic charging of synthetic fabrics.

2. SAFETY RULES

Prior to using the humidifier please read this instruction manual carefully and keep it for future reference.

When using the unit, you need to follow a number of precautions. Improper operation as a result of ignoring precautions may harm health of the user and other people, as well as damage their property. The humidifier is intended to operate in living quarters provided specified operation conditions are observed. Inappropriate operation of the humidifier may cause situation, dangerous for people's lives and health.

The electrical unit must be supervised when in operation, especially if there are children nearby. The unit is not intended for use by people (including children) with reduced physical, sensory or mental capabilities, or lacking experience and knowledge, unless they have been given supervision or instruction as to the use of the unit by an individual responsible for their safety. Children should be supervised to ensure they do not play with the unit.

Do not use the unit for purposes not specified by this instruction manual.

The humidifier must not be used if its power cord or plug is damaged, as well as if the humidifier is inoperable, damaged upon falling down or due to other circumstances. The humidifier must be used only fully assembled.

To avoid being burned do not touch the humidifier's membrane when it is operating. The membrane gets very heated due to high membrane's oscillation frequency.



NOTE:

High-frequency oscillations of the ultrasonic humidifier membrane are noiseless and safe for people and pets.

To avoid electric shock, a damaged power supply unit must be replaced only in authorized service centers by qualified specialists. To avoid electric shock, do not place the power cord next to heating appliances and flammable or combustible substances.

To avoid injuries and property damage do not try to repair the humidifier by yourself. To repair the humidifier contact the manufacturer's authorized service center.

Take the power cord out from an electric outlet in the following cases: prior to water discharge and filling of the tank; prior to cleaning and technical maintenance; prior to assembly/disassembly of humidifier's elements; prior to relocating the humidifier.

Install the humidifier on an even dry surface. Steam, coming out from the humidifier, can damage surfaces it comes into contact with. Do not install the humidifier on the floor, as well as in close vicinity to heating appliances, walls, furniture and other things.

The manufacturer and the seller are not responsible for damages, incurred due to improper location of the humidifier.

The humidifier should be installed on some sort of an elevation, for example, on a table, stand, etc. at the distance of not less than 60 cm from the floor and not less than 10 cm from the wall.

It is forbidden to pour water into the humidifier through the atomizer.

Do not immerse the humidifier into water or other fluids.

Do not install the humidifier in the aisle or other places, where it can be pushed, tipped over, etc.

If you do not use the humidifier, disconnect it from the power line.

Do not lay the power cord under a carpet or other things. Place the humidifier so that you couldn't touch the power cord.

Do not use the humidifier in damp rooms. Excessive room humidity may cause water condensation on windows and furniture. If this is the case, turn off the humidifier.

Do not let foreign objects get into the humidifier.

Do not obstruct the humidifier's air intake and atomizer by foreign objects.

Do not sit, stand and put heavy objects on the humidifier.

To avoid damaging the humidifier, do not add essential oils, preservation agents, fragrances and other foreign admixtures into the water used for humidification. The manufacturer and the seller are not responsible for damage of the humidifier incurred as a result of failure to comply with this requirement.

When disconnecting the humidifier from the power line, do not pull the power cord and do not touch it with wet hands.

Make sure to take this information into consideration.

3. SPECIFICATIONS

Table 1

Specifications	Unit of measurement	THU UL 28 (BL) THU UL 28 (BW)
Humidification capacity	ml/h	300
Power supply	V/Hz	220-/50
Water tank	L	3.7
Rated power consumption	W	25
Rated current	A	0.11
Protection class rating	-	IPX0
Electrical protection class rating	-	II
Device dimensions	mm	232x247x505
Net weight	kg	3.1

* This performance is specified at the mode of hot steam.

The manufacturer reserves the right to change component parts of the product for various delivery batches without any prior notice (including components to be poured/filled in), not affecting the main technical parameters of the product or improving them, as well as not violating quality standards and statutory regulations, adopted within the country of manufacture/transit/sales, by such changes.

This can cause changes in the weight and overall dimensions of the product, but not more than by \pm 5-20% (subject to variation for different types of the product).

4. DESCRIPTION OF THE UNIT

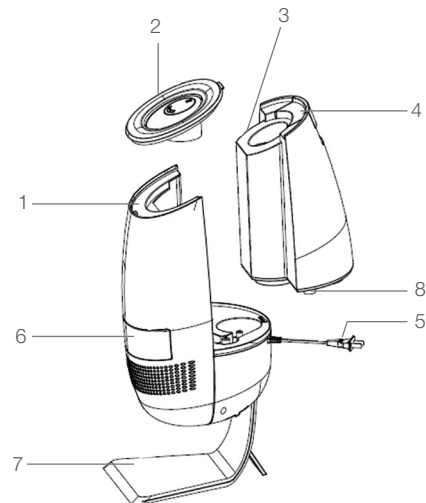


Fig.1

1. Device body
2. Water tank cap with
3. Water tank
4. Carrying handle
5. Power cord
6. Hidden touch area
7. Stand
8. Tank cover with valve

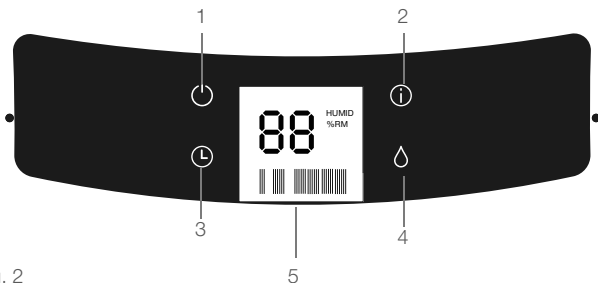


Fig. 2

1. Power on / off button
2. On / Off button for air ionization function
3. Button for setting the timer to turn off the device
4. The button for setting the required humidity level from 45 to 90%.
5. Display

Remote control



Fig. 3

1. Power on / off button
- 2, 5. The button for setting the required humidity level from 45 to 90%.
- 3, 4. The steam output intensity selection button: low, medium, high
6. Set timer button to turn off the device
7. Button for activating the humidity control function
8. Ionization function ON / OFF button

5. SCOPE OF DELIVERY

1. Air humidifier – 1 pc.
2. Instruction and warranty card - 1 pc.
3. Package – 1 pc.
4. Remote control – 1 pc.
5. Filter – 1 pc.

6. APPLIANCE OPERATION

Switching the device on

Place the case on the stand, fill the tank with water and install the device strictly vertically on a flat dry surface, then connect the device to the mains by inserting the plug of the power cord into the outlet, while the illumination of the power button flashes on the control panel for 5 minutes.

Press the «ON / OFF» button, the device will automatically start to work, the button illumination will light and the display of the steam output and the current humidity value will appear on the display.

At the very beginning of the work, the level of spraying can be unstable, due to the difference in temperature and water quality. It will take some time for the water to vaporize on the ultrasonic membrane, and this process has stabilized. After 10-25 minutes of operation, the spray level gradually stabilizes.

Steam output intensity adjustment

To change the intensity of the steam output, press the «ON / OFF» button several times, the intensity of the steam output will vary: low, medium, high, and accordingly the intensity of the steam output will be displayed by the indicators on the display.

Comfortable conditions are achieved with a relative humidity of 40 to 60%. You can determine the favorable humidity level for you by your own sensations, or you can use a special hygrometer (not supplied) for this purpose, which measures the relative humidity level.



IMPORTANT!

If the device generates a large amount of condensate on the top of the device and on objects near it, it is necessary to reduce the intensity of the steam output.

Air ionization function

To activate or deactivate the air ionization function, press the ION button. When the button is pressed, the negative ion generator turns on / off, the ionization indicator on the control panel lights up / goes out.

The ionizer generates negatively charged ions (anions) and refreshes the air in the room. Anions strengthen the nervous and circulatory system, improve lung function and serve as effective protection against respiratory diseases (such as asthma and pneumonia). Anions clean the air of dust and smoke.

Humidity control function

When this function is activated, the device will automatically turn off when the set humidity level is reached and automatically turn on when the humidity level falls below the set humidity level.

To activate the humidity control function, press the «HUMIDITY» button. The display shows the set humidity value. Continue to press the «HUMIDITY» button to set the desired humidity level from 45% to 90%, in 5% increments and select the desired humidity level. After setting, the set value flashes in the display for 3 seconds, after which the value of the current humidity is displayed. Select 90% and press the HUMIDITY button again to disable this function.

Timer to turn off the device

To set the timer time to turn off the device, press the «TIMER» button several times, and the set timer time until the device is switched off will be reflected on the display from 1 to 12 hours, in steps of 1 hour. Within 3 seconds after setting, the set value will be memorized and will not be displayed on the display. The device will switch off after the set time interval has elapsed.

Turning off the instrument or setting the timer value [0] will cancel the timer to turn off the device.

Automatic shut-off in the absence of water

If the water level in the tank drops below the minimum permissible level, the ultrasonic membrane of the device will automatically shut off, an audible signal will sound and the display will turn on and the water absence indicator « » will flash. To continue the operation of the device it is necessary to fill the reservoir with water according to item 6 «Filling the reservoir with water», then connect the device to the electrical network.

Remote control (remote control)

With the remote control it is possible to control all functions of the device in an effective range of 6 meters. The description of the buttons is shown in figure 3. The remote control can be placed on the right side of the side in the upper part of the device housing with the help of an integrated magnet.

Sound notification

When the appliance is switched on and off, and when the buttons are pressed, a beep is emitted.

Switching off the device

To turn off the device, press and hold the «ON / OFF» button for 3 seconds and unplug the appliance from the mains.

7. FILTER-CARTRIDGE FOR WATER SOFTENING

The kit includes 1 filter cartridge installed on the cover of the water tank with a valve, with balls of mineral stone, which has strong absorbent properties. The filter absorbs elements of heavy metals such as lead, chrome, mercury, zinc, etc. Disinfects water and restores normal acidity (PH).

The service life of the filter is 4-6 months, depending on the quality of the water used and the frequency of use of the device.

If a white coating appears on the objects around the humidifier when using the humidifier, this may be due to the following reasons:

1. The water that is used contains a large amount of magnesium or calcium. Use water that has been previously cleaned with a household water filter.
2. Remains of calcium and magnesium salts accumulated in the inside of the device. It is necessary to clean the inside of the device.
3. Steam deposits on the surface of suspended dust in the air.
4. The properties of the water softening filter have deteriorated. It is necessary to replace the filter to soften the water.

8. CLEANING AND MAINTENANCE

Before cleaning the device make sure that the plug is disconnected from the wall outlet. Otherwise, it may result in electric shock.

Before cleaning, wait until the cooling water in the ground, so as not to burn your hands. Spend device cleaning once or twice a week.

To clean the outer surface of the unit with a damp soft cloth.

To avoid electric shock, do not scratch or damage the device while cleaning elements.

Do not use when cleaning the device thinner, benzene, dimethyl benzene, stiff brush, talcum powder and other materials, except water.

Wipe any remaining water inside the base with a damp, soft cloth.

To remove the remaining water in the small details, you can use a soft brush, then wipe it again with a soft cloth.

In the formation of dirt on the membrane, clean it with a soft brushes. Use a soft brush to erase the remnants of water on the surface of the device, and then wipe it again with a soft cloth.

Rinse water tank and a clean water dispenser.

After removal of the residual water from the surface of the sprayer, wipe it with a soft cloth. Clean the outside surface with a damp, soft cloth.



IMPORTANT!

To avoid deformation or wear of working surfaces, resulting in decreased atomizing or other malfunctions, do not use metallic brushes, blades or talc powder to wipe the atomizer's surface. The water tank may leak upon heavy impacts. In case of water leakage, immediately stop using the unit and contact a service center. To keep the unit dry, remove water after cleaning and make sure to dry the unit's case. Make sure that there is no water left inside the unit's case. Prior to a long break in using the unit, dry its surface and pack it into a plastic bag, then put it into a box. Store the unit in a low-humidity room. Storing the unit undried results in generation of mold

9. TROUBLESHOOTING

In case of emergencies use troubleshooting methods, listed in Table 2. If it is impossible to remedy problems by the listed methods, contact the manufacturer's service center.

Table 2

Problem	Possible cause	Remedy
Poor atomizing (insufficient capacity)	The unit is operating in the minimized mode (low atomizing frequency)	There is no problem. If you need to switch to the intensive mode of operation, turn the regulator handle all the way to the right.
	The atomizer is clogged	Clean the atomizer.
	Temperature of water in the tank is too low	Set maximum capacity. The humidifier's capacity will go up after a while.
No atomizing	The power cord is poorly connected to the outlet	Connect the power cord into the outlet carefully
There is white deposit on objects around the humidifier (salts, separating out from water)	1. Lime deposits have formed on the membrane 2. There is a lot of salts in the water used (calcium and magnesium)	1. Clean the humidifier's membrane with a special brush 2. Use filtered water
Steam has an unpleasant odor	Stale water is used	Clean the unit according to the cleaning and servicing instructions and fill the tank with fresh water
	Remains of stale water or waste have accumulated in the unit's case or the atomizer	
Condensate is formed on the upper part of the humidifier and on surrounding objects, when it is operating.	1. High humidification intensity is set. 2. High room humidity and temperature.	Lower the humidification intensity by turning the on/off and steam outflow intensity regulator counterclockwise.
Water appears next to the humidifier, when it is operating.	1. High humidification intensity is set. 2. Lime deposits have formed on the membrane and in grooves for water (in the unit's base).	1. Lower the humidification intensity by turning the on/off and steam outflow intensity regulator counterclockwise. 2. Clean the unit according to the cleaning and servicing instructions.
Water appears next to the humidifier, when it is not operating	Water tank is leaking	You need to contact an authorized service center

СОДЕРЖАНИЕ

1. Важная информация	9
2. Правила безопасности	10
3. Технические характеристики	11
4. Описание прибора	11
5. Комплектация	12
6. Наполнение резервуара водой	12
7. Эксплуатация прибора	13
8. Фильтр-картридж для умягчения воды	14
9. Очистка и обслуживание	15
10. Гарантийный талон	16

Уважаемый покупатель!

Благодарим Вас за удачный выбор и приобретение увлажнителя воздуха TIMBERK. Он прослужит Вам долго.

Увлажнитель воздуха повышает относительную влажность воздуха в помещении и нормализует микроклимат, помогая избежать пагубных явлений пониженной влажности.

Просим вас внимательно ознакомиться с руководством по эксплуатации перед тем, как вы начнете эксплуатацию изделия!

1. ВАЖНАЯ ИНФОРМАЦИЯ

Производитель оставляет за собой право без предварительного уведомления покупателя вносить изменения в конструкцию, комплектацию или технологию изготовления изделия с целью улучшения его свойств. В тексте и цифровых обозначениях данного руководства могут быть допущены опечатки.

Если после прочтения руководства у Вас останутся вопросы по работе и эксплуатации прибора, обратитесь к продавцу или в специализированный сервисный центр для получения разъяснений. На изделии присутствует этикетка, на которой указаны все необходимые технические данные и другая полезная информация о приборе.

Используйте прибор только по назначению, указанному в данном руководстве.

Увлажнитель предназначен для увлажнения воздуха в помещении. Комфортные условия достигаются при относительной влажности воздуха от 40 до 60%. Недостаточная влажность воздуха приводит к высушиванию слизистых оболочек, что в свою очередь является причиной снижения иммунитета, головной боли, растрескивания губ, жжения в глазах, благоприятствует развитию инфекции и заболеваниям дыхательных путей, вызывает утомление, приводит к повышенной усталости глаз и ухудшению концентрации внимания, отрицательно влияет на состояние домашних животных и комнатных растений, приводит к усилению пылеобразования, повышению электростатического заряда синтетических тканей.

2. ПРАВИЛА БЕЗОПАСНОСТИ

Перед вводом в эксплуатацию увлажнителя внимательно изучите данное руководство по эксплуатации и храните его для дальнейшего использования.

При использовании прибора, необходимо соблюдать ряд мер предосторожности. Неправильная эксплуатация в силу игнорирования мер предосторожности может привести к причинению вреда здоровью пользователя и других людей, а также нанесению ущерба их имуществу. Увлажнитель предназначен для работы в жилых помещениях с соблюдением указанных условий эксплуатации. Использование увлажнителя не по назначению может создавать ситуации, опасные для жизни и здоровья людей.

Электроприбор должен находиться под наблюдением во время его эксплуатации, особенно, если неподалёку от него находятся дети. Устройство не предназначено для использования лицами (включая детей) с ограниченными физическими, сенсорными или умственными возможностями, обладающими недостаточным опытом и знаниями, если они не находятся под наблюдением и не получили инструкций по использованию устройства от лица, ответственного за их безопасность. Необходимо устроить, чтобы дети не играли с устройством.

Не используйте устройство, в целях, непредусмотренных этим руководством по эксплуатации.

Не допускается эксплуатировать увлажнитель, если его сетевой шнур или штепсельная вилка имеют повреждения, а также, если увлажнитель неисправен, поврежден при падении или при других обстоятельствах. Увлажнитель должен эксплуатироваться только в полностью собранном виде.

Во избежание ожога при работающем увлажнителе не прикасайтесь к мембране увлажнителя. Из-за высокой частоты колебаний мембрана сильно нагревается.



ПРИМЕЧАНИЕ:

Высокочастотные колебания мембраны ультразвукового увлажнителя не слышны и совершенно безопасны для людей и домашних животных.

Во избежание опасности поражения электрическим током, поврежденный сетевой шнур должен меняться только в авторизованных сервисных центрах квалифицированными специалистами. Во избежание опасности поражения электрическим током не размещайте сетевой шнур рядом с нагревательными приборами и легковоспламеняющимися или горючими веществами.

Во избежание травм и повреждения имущества не пытайтесь самостоятельно отремонтировать увлажнитель. Для ремонта увлажнителя обратитесь в авторизованный сервисный центр производителя.

Вынимайте штепсельную вилку увлажнителя из сетевой розетки в следующих случаях: перед сливом или заправкой резервуара водой; перед чисткой и техническим обслуживанием; перед монтажом/демонтажом элементов увлажнителя; перед перемещением увлажнителя на другое место.

Устанавливайте увлажнитель на ровной сухой поверхности. Выходящий из увлажнителя пар может повредить поверхности, на которые он попадает. Не устанавливайте увлажнитель на пол, а также в непосредственной близости от отопительных приборов, стен, мебели и других предметов.

За повреждение, полученные из-за неправильного расположения увлажнителя, изготовитель и продавец ответственности не несут.

Увлажнитель следует установить на каком-либо возвышении, например, на столе, тумбе и т.п., на расстоянии не менее 60 см от пола и не менее 10 см от стены.

Не допускается заливать в увлажнитель воду через распылитель.

Не погружайте увлажнитель в воду или другие жидкости.

Не устанавливайте увлажнитель на проходе или в других местах, где его могут задеть, опрокинуть и т.п.

Если увлажнитель не используется, отключите его от сети электропитания.

Не прокладывайте сетевой шнур под ковром или другими предметами. Расположите увлажнитель так, чтобы случайно не задеть сетевой шнур.

Не используйте увлажнитель во влажных помещениях, чрезмерная влажность в помещении может привести к конденсации воды на окнах и предметах мебели. В данном случае увлажнитель необходимо выключить.

Не допускайте попадания в увлажнитель посторонних предметов.

Не загромождайте посторонними предметами воздухозаборное отверстие и распылитель увлажнителя.

Не садитесь, не вставайте и не ставьте тяжелые предметы на увлажнитель.

Во избежание повреждения увлажнителя не добавляйте в использу-

емую для увлажнения воду эфирные масла, консервирующие добавки, ароматизаторы и другие посторонние примеси. За повреждения увлажнителя, полученные из-за невыполнения данного требования, изготовитель и продавец ответственности не несут.

При отключении увлажнителя от сети электропитания не тяните за сетевой шнур и не дотрагивайтесь до него влажными руками.

3. ТЕХНИЧЕСКИЕ ХАРАКТЕРИСТИКИ

Таблица 1

Технические характеристики	Единица измерения	THU UL 28 (BL) THU UL 28 (BW)
Производительность по увлажнению	мл/ч	300
Параметры электропитания	В/Гц	220-/50
Объем бака	л	3.7
Номинальная потребляемая мощность	Вт	25
Номинальная сила тока	А	0.11
Степень защиты	-	IPX0
Класс электробезопасности	-	II
Размеры прибора	мм	232x247x505
Вес нетто	кг	3.1

Производитель оставляет за собой право для разных партий поставок без предварительного уведомления изменять комплектующие части изделия (включая заливаемые \ засыпаемые составляющие), не влияя при этом на основные технические параметры изделия или улучшая их, а также не нарушая изменениями принятые на территории страны производства \ транзита \ реализации стандарты качества и нормы законодательства.

Это может повлечь за собой изменение веса и габаритов изделия, но не более чем на +/- 5-20% (могут отличаться для разного вида изделий).

4. ОПИСАНИЕ ПРИБОРА

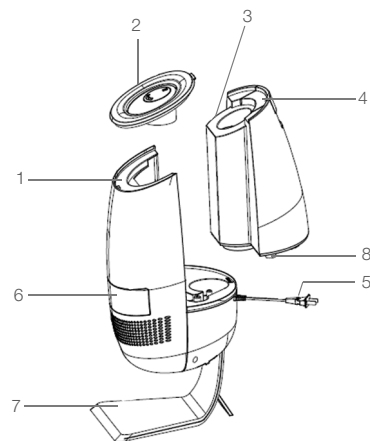


Рис. 1

1. Корпус
2. Верхняя крышка с распылителем
3. Резервуар для воды
4. Ручка резервуара
5. Сетевой шнур
6. Панель управления
7. Подставка
8. Крышка резервуара с клапаном



ПРИМЕЧАНИЕ:

Корпус и подставка поставляются отдельно. Перед использованием прибора необходимо установить корпус на подставку. После соединения корпуса и подставки они не разъединяются.

Панель управления

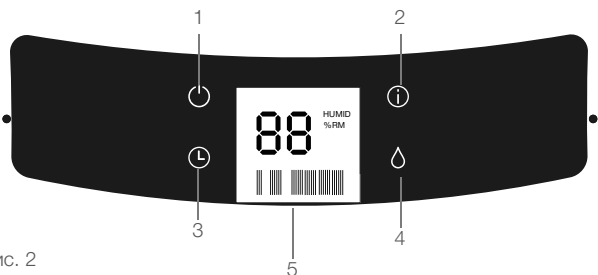


Рис. 2

1. Кнопка включения/выключения прибора и выбора интенсивности выхода пара: низкая, средняя, высокая
2. Кнопка включения/выключения функции ионизации воздуха
3. Кнопка установки таймера на отключение прибора
4. Кнопка установки необходимого уровня влажности от 45 до 90 %.
5. Дисплей

Пульт дистанционного управления (ПДУ)



Рис. 3

1. Кнопка включения/выключения прибора
- 2, 5. Кнопки установки необходимого уровня влажности от 45 до 90 %.
- 3, 4. Кнопка выбора интенсивности выхода пара: низкая, средняя, высокая
6. Кнопка установки таймера на отключение прибора
7. Кнопка включения функции контроля влажности
8. Кнопка включения/выключения функции ионизации воздуха

5. КОМПЛЕКТАЦИЯ

1. Увлажнитель воздуха - 1 шт.
2. Руководство по эксплуатации и гарантийный талон - 1 шт.
3. Пульт дистанционного управления - 1 шт.
4. Упаковка - 1 шт.

6. НАПОЛНЕНИЕ РЕЗЕРВУАРА ВОДОЙ

1. Снимите верхнюю крышку с распылителем с резервуара, после чего резервуар для воды с корпуса прибора.
2. Переверните резервуар и откройте крышку резервуара с клапаном против часовой стрелки.
3. Наполните резервуар водой.
4. Закрутите крышку резервуара с клапаном по часовой стрелке. Убедитесь в плотной фиксации крышки резервуара. Убедитесь в том, что резиновое кольцо установлено на крышку резервуара. Неполное выполнение вышеуказанных мер приводит к попаданию воздуха в резервуар для воды и как следствие к неисправности.
5. Установите резервуар для воды на корпус прибора, после чего установите крышку с распылителем.
6. Резервуар для воды имеет выемку, а внутренняя часть корпуса прибора имеет выступы для правильной установки резервуара.



ВНИМАНИЕ!

Для работы прибора лучше использовать очищенную водопроводную воду, для этого воспользуйтесь обычным бытовым фильтром для воды. Это нужно для того, чтобы прибор дольше служил, а также для того, чтобы вокруг прибора не образовывался белый осадок. Белый осадок – это кальций и магний, которые входят в состав обычной водопроводной воды. При использовании не очищенной воды они выпускаются вместе с паром и оседают на окружающие предметы и поверхности. Хотя эти вещества являются безопасными для людей, в больших количествах они могут оказывать вредное воздействие на мебель.

Во избежание поражения электрическим током, перед тем, как разбирать прибор (снимать резервуар), отключите прибор от электросети! Не наполняйте резервуар иными жидкостями, за исключением водопроводной воды. Другой состав жидкостей оказывает вредное воздействие на внутренние детали и приводит к неисправности.

Не наполняйте прибор или резервуар для воды такими добавками как эфирное масло, ароматизирующее вещество, моющее средство, химические лекарственные препараты, теплая вода (свыше 40°) и т. д. В противном случае резервуар для воды и внутренние детали прибора повредятся и придут в неисправность. Не заливайте воду непосредственно во внутреннюю часть прибора. Наличие воды внутри прибора может привести к неисправности прибора.

Не ударяйте и не бросайте резервуар для воды. Он может повредиться, что приведет к утечке воды. Не используйте устройство в случае сильного удара резервуара. Немедленно обратитесь в службу технического обслуживания или пункт технического обслуживания и ремонта.

Каждый день наполняйте резервуар чистой водой и содержите прибор в чистоте.

7. ЭКСПЛУАТАЦИЯ ПРИБОРА

Включение прибора

Установите корпус на подставку, наполните резервуар водой и установите прибор строго вертикально на ровную сухую поверхность, после чего подключите прибор к электрической сети, вставив вилку сетевого шнура в розетку, при этом на панели управления, в течение 5 минут будет мигать подсветка кнопки включения.

Нажмите кнопку «ON/OFF», прибор автоматически начнет работать, загорится подсветка кнопок и на дисплее отобразятся индикаторы выхода пара, и текущее значение влажности.

В самом начале работы уровень распыления может оказаться нестабильным, что вызвано разностью температуры и качеством воды. Потребуется некоторое время для того, чтобы на ультразвуковой мембране произошло преобразование воды в пар, и этот процесс стабилизировался. Через 10–25 минут работы уровень распыления постепенно стабилизируется.

Регулировка интенсивности выхода пара

Для того чтобы изменить интенсивность выхода пара нажмите кнопку «ON/OFF» несколько раз, интенсивность выхода пара будет меняться: низкая, средняя, высокая, при этом соответственно интенсивность выхода пара будет отображаться индикаторами на дисплее.

Комфортные условия достигаются при относительной влажности воздуха от 40 до 60%. Вы можете определить благоприятный для вас уровень влажности по собственным ощущениям, либо использовать для этого специальный прибор гигрометр (в комплект поставки не входит), измеряющий уровень относительной влажности.



ВНИМАНИЕ!

Если при работе прибора образуется большое количество конденсата на верхней части прибора и на предметах рядом с ним, то необходимо уменьшить интенсивность выхода пара.

Функция ионизации воздуха

Для включения и выключения функции ионизации воздуха нажимайте кнопку «ION». При нажатии на кнопку включится/отключится генератор отрицательных ионов, на панели управления загорится/погаснет индикатор ионизации.

Ионизатор генерирует отрицательно заряженные ионы (анионы) и освежает воздух в помещении. Анионы укрепляют нервную и кровеносную системы, улучшают деятельность легких и служат эффективной защитой от респираторных заболеваний (таких как астма и пневмония). Анионы очищают воздух от пыли и дыма.

Функция контроля влажности

При активации данной функции прибор будет автоматически выключаться при достижении установленного уровня влажности и автоматически включаться при падении уровня влажности ниже установленного.

Для включения функции контроля влажности нажмите на кнопку «HUMIDITY». На дисплее отобразится устанавливаемое значение влажности. Продолжайте нажимать на кнопку «HUMIDITY» для установки желаемого уровня влажности от 45% до 90%, с шагом 5% и выберите требуемый уровень влажности. После установки на дисплее мигает установленное значение в течение 3 секунд, после чего на дисплее отображается значение текущей влажности.

Выберите значение 90% и ещё раз нажмите кнопку «HUMIDITY», чтобы отключить данную функцию.

Таймер на отключение прибора

Для установки времени таймера на отключение прибора нажмите кнопку «TIMER» несколько раз, при этом установленное значение времени таймера до отключения прибора будет отражаться на дисплее от 1 до 12 часов, с шагом 1 час. В течение 3 секунд после установки установленного значения будет запомнено и перестанет отображаться на дисплее. Выключение прибора произойдет по истечению заданного временного интервала.

Выключение прибора или установка значения таймера [0] отменит таймер на выключение прибора.

Автоматическое отключение при отсутствии воды

При понижении уровня воды в резервуаре ниже минимально допустимого ультразвуковая мембрана прибора автоматически отключится, прозвучит звуковой сигнал и на дисплее загорится, и будет мигать индикатор отсутствия воды « Δ ». Для продолжения работы прибора необходимо наполнить резервуар водой согласно п.6 «Наполнение

резервуара водой», после чего подключить прибор к электрической сети.

Пульт дистанционного управления (ПДУ)

С помощью ПДУ можно управлять всеми функциями прибора в эффективном диапазоне 6 метров. Описание кнопок приведено на рисунке 3. ПДУ можно разместить с правой стороны сбоку в верхней части корпуса прибора с помощью встроенного магнита.

Звуковое оповещение

При включении и выключении прибора, а также при нажатии на кнопку издается звуковой сигнал.

Выключение прибора

Для выключения прибора нажмите и удерживайте кнопку «ON/OFF» в течение 3 секунд и отключите прибор от электрической сети.

8. ФИЛЬТР-КАРТРИДЖ ДЛЯ УМЯГЧЕНИЯ ВОДЫ

В комплект прибора входит 1 фильтр-картридж с шариками из минерального камня устанавливаемый на крышке резервуара для воды с клапаном, и 1 мини-фильтр который устанавливается на мембрану (в комплекте). Фильтр картридж с минеральными шариками обладает сильными абсорбирующими свойствами. Фильтр впитывает элементы тяжелых металлов, таких как свинец, хром, ртуть, цинк и т.д. Обеззараживает воду и восстанавливает нормальную кислотность (PH).

Срок службы фильтра составляет 4-6 месяцев, в зависимости от качества используемой воды и частоты использования прибора.

Если при использовании увлажнителя на предметах вокруг увлажнителя появился белый налет, это может быть следствием следующих причин:

1. Вода, которая используется, содержит большое количество магния или кальция. Следует использовать воду, предварительно очищенную с помощью бытового фильтра для воды.
2. Остатки солей кальция и магния накопились во внутренней части прибора. Необходимо очистить внутреннюю часть прибора.
3. Пар осаживает на поверхность взвеси пыли, находящиеся в воздухе.
4. Ухудшились свойства фильтра для умягчения воды. Необходимо заменить фильтр для умягчения воды.

9. ОЧИСТКА И ОБСЛУЖИВАНИЕ

Перед началом чистки прибора убедитесь в том, что вилка отключена от розетки. В противном случае, это может привести к поражению электрическим током.

Перед началом чистки дождитесь полного охлаждения воды в корпусе прибора, чтобы не обжечь руки.

Проводите чистку прибора один или два раза в неделю.

Для протирки внешней поверхности прибора используйте влажную и мягкую ткань.

Во избежание поражения электрическим током не царапайте и не повреждайте при чистке элементы прибора.

Не используйте при чистке прибора растворитель, бензин, диметилбензол, жесткую щётку, тальковую пудру и другие вещества, кроме воды.

Вытрите остатки воды внутри основания под резервуаром влажной и мягкой тканью.

Для удаления остатков воды на мелких деталях можно воспользоваться мягкой щёткой, а затем протереть их снова мягкой тканью.

При образовании грязи на мембране, очистите её с помощью мягкой щёточки.

Промойте резервуар для воды чистой водой.

Крышку промывайте аккуратно и без усилий, в противном случае это приведет к протечке воды через крышку.

Очистите внешнюю поверхность устройства влажной и мягкой тканью.

Замена элементов питания в ПДУ

Для замены элементов питания:

1. Снимите крышку отсека элементов питания, расположенную на задней панели ПДУ, сдвинув её вниз по направлению стрелки.
2. Извлеките использованный элемент питания и замените его на новый, соблюдая полярность.



ВНИМАНИЕ!

Во избежание деформации и стирания рабочих поверхностей, ведущих к снижению уровня распыления или другим неисправностям, не пользуйтесь металлическими щетками, лезвиями или тальковой пудрой.

При сильных ударах резервуар для воды может протекать. При появлении утечки воды немедленно прекратите работу прибора и обратитесь в сервисный центр.



ВНИМАНИЕ!

Для поддержания прибора в сухом состоянии удалите воду после очистки и обязательно просушите резервуар для воды и корпус.

Убедитесь в том, что внутри резервуара для воды и корпуса не осталось воды.

Перед длительной паузой в использовании прибора просушите резервуар и поверхности. Установите резервуар в корпус прибора и упакуйте увлажнитель в пластиковый пакет, а затем в коробку.

Храните прибор в помещении с низкой влажностью. Хранение прибора с водой или в непросушенном состоянии приводит к появлению плесени в корпусе прибора и внутри резервуара для воды, что не является гарантийным случаем.



ГАРАНТИЙНЫЙ ТАЛОН



Уважаемый покупатель!

**Обратите внимание на необходимость вашей подписи
на стр. 20**

www.timberk.com

Гарантийные обязательства

Гарантийное обслуживание и ремонт бытового электрического увлажнителя воздуха TIMBERK с соблюдением требований и норм Изготовителя (TIMBERK) производится на территории РФ только в авторизованных сервисных центрах Изготовителя или мастерских, уполномоченных производителем и работающих с ним на основании договора.

Срок проведения экспертизы и гарантийного ремонта - не более 45 дней с момента приемки дефектного изделия авторизованным сервисным центром TIMBERK.

Если при эксплуатации изделия Вы столкнулись с неполадками в его работе, которые Вы не можете устранить самостоятельно в строгом соответствии с Руководством по эксплуатации изделия, обратитесь к региональному представителю Изготовителя в России или в региональный авторизованный сервисный центр TIMBERK, уточнив адрес у продавца.

Полный перечень сервисных центров указан на сайте www.timberk.com или приложен отдельным списком в комплекте с изделием.

Также Вы можете обратиться в уполномоченную сервисную службу Изготовителя по телефону: +7 (495) 627-5285, либо по телефонам, указанным на сайте: www.timberk.com, или отправить сообщение по электронному адресу: ru.service@timberk.com

Если отсутствие надлежащим образом заполненного гарантийного талона на изделие или отсутствие чека с указанием изделия не позволяет идентифицировать изделие и факт его продажи на территории РФ, то Изготовитель вправе отказать в гарантийном обслуживании изделия.

При невозможности определить дату продажи изделия, гарантийный срок исчисляется с даты его производства.

Дата производства изделия определяется по реестру Изготовителя в соответствии с серийным номером изделия.

Официальный срок службы бытового электрического увлажнителя воздуха TIMBERK, установленный изготовителем, составляет 3 года, со дня передачи изделия потребителю.

Указанный срок службы действителен только при условии соблюдения правил эксплуатации и правильного ухода за изделием.

Во избежание недоразумений убедительно просим Вас внимательно

изучить Руководство по эксплуатации изделия и условия гарантийных обязательств, проверить правильность заполнения бланка гарантийного талона. Согласно требованиям Изготовителя, гарантийный талон действителен только при наличии четко и правильно указанных данных: модели, серийного номера изделия, даты покупки, данных фирмы-продавца, подписи покупателя. Соответствующие данные также должны быть указаны продавцом на отрывных талонах.

Модель и серийный номер изделия (на маркировочной (идентификационной) наклейке Изготовителя на изделии (TIMBERK ID) должны соответствовать указанным в гарантийном талоне продавцом. При нарушении этих условий, а также в случае, когда данные, указанные в гарантийном талоне, изменены или стерты, талон может быть признан недействительным.

Данным гарантийным талоном Изготовитель подтверждает принятие на себя обязательств по удовлетворению законных требований потребителей в случае обнаружения недостатков изделия, возникших по вине Изготовителя в течение установленного гарантийного срока.

Гарантийный срок для бытового электрического увлажнителя воздуха TIMBERK, установленный изготовителем, составляет 1 год, со дня передачи изделия потребителю.

Для ряда территорий могут действовать исключительные правила гарантии, увеличивающие срок на изделие или компоненты. Такие правила устанавливаются только по распоряжению Производителя официальным письмом Производителя.

Гарантийные обязательства дополняют и уточняют оговоренные законом обязательства, предполагающие соглашение сторон либо договор; выдаются Изготовителем в дополнение к законным правам потребителей и ни в коей мере их не ограничивают.

Гарантия Изготовителя действительна только на территории РФ на изделия, купленные на территории РФ и изготовленные для РФ.



ВНИМАНИЕ!

Если изделие использовалось в соответствии с его целями применения, установленными Руководством по эксплуатации, в рамках осуществления предпринимательской деятельности, то гарантийный срок изделия составляет 3 (три) месяца с момента продажи изделия или 5 (пять) месяцев с момента производства изделия, если дата продажи не установлена*.

Изготовитель оставляет за собой право:

- отказать в гарантийном сервисном обслуживании изделия в случае несоблюдения изложенных ниже условий (см. «Досрочное прекращение гарантийного обслуживания»);
- самостоятельно инициировать независимую экспертизу для выяснения обстоятельств, приведших к выходу прибора из строя;
- сравнивать предоставленную маркировочную (идентификационную) наклейку изделия (TIMBERK ID) с данными реестров производства для проверки соответствия серийного номера изделия уникальным производственным номерам реестров.

Просим Вас хранить Гарантийный талон в течение всего гарантийного срока, установленного Изготовителем на приобретенное Вами изделие.

При покупке изделия требуйте от продавца проверку его комплектности и отсутствия механических повреждений в Вашем присутствии, а также правильного и четкого заполнения данного гарантийного талона. Претензии по некомплектности и выявленным механическим повреждениям после продажи изделия не принимаются.

Для гарантийного ремонта предъявляйте данный Гарантийный талон вместе с товарным (кассовым) чеком или другим документом, подтверждающим дату и факт продажи изделия на территории РФ.

Досрочное прекращение гарантийного обслуживания.

Все условия гарантийного обслуживания регулируются Законодательством РФ и Законом РФ «О защите прав потребителей». В частности, отказ в бесплатном гарантийном обслуживании изделия может быть вызван:

- нарушением при оформлении гарантийного талона при продаже изделия;
- отсутствием товарного или кассового чека о продаже изделия или невозможностью определить продавца изделия;
- наличием следов механических повреждений, возникших после передачи изделия потребителю и явившихся возможной причиной возникновения дефекта;
- наличием повреждений, вызванных несоответствием стандартам параметров питающих сетей и других подобных внешних факторов, а также вызванных использованием нестандартных, неоригинальных (или некачественных) аксессуаров, принадлежностей, запасных частей, элементов и т.д.;

- нарушением правил Руководства по эксплуатации данного изделия;
- наличием следов несанкционированного вскрытия и/или ремонта изделия, повлекших за собой отказ в работе изделия;
- дефектом или отказом системы или ее части, где изделие использовалось как часть системы и это могло привести к дефекту или отказу изделия.

Гарантийные обязательства не распространяются на перечисленные ниже части и принадлежности изделия, если их замена не связана с разборкой самого изделия:

- дополнительные приспособления, инструмент и документацию, прилагаемую к изделию;
- расходные части изделия, подразумевающие периодическую замену за счет потребителя (фильтрующие элементы и др.);
- части и узлы изделия, неисправность которых связана с естественным износом в процессе эксплуатации (фильтрующие элементы и т.д.);
- материалы, наклеенные на изделие, имеющие рекламное или информационное назначение, за исключением маркировочной (идентификационной) наклейки Изготовителя (TIMBERK ID).



ВНИМАНИЕ!

Если в результате экспертизы/диагностики изделия установлено, что его недостатки возникли вследствие обстоятельств, за которые не отвечает продавец (изготовитель), либо недостатки в товаре отсутствуют, Потребитель обязан возместить продавцу (изготовителю или уполномоченной изготовителем организации) расходы на проведение экспертизы (диагностики), а также связанные с ее проведением расходы на хранение и транспортировку товара в соответствии с Законом РФ «О защите прав потребителей» № 171-ФЗ в ред. от 21.12.2004 ст. 18 п.5.

Изготовитель не несет гарантийных обязательств за изделие в следующих случаях:

- если изделие использовалось в иных целях, не соответствующих его прямому назначению в соответствии с Руководством по эксплуатации;
- если на изделии отсутствует маркировочная (идентификационная) табличка Изготовителя (TIMBERK ID);
- если изделие имеет следы несанкционированного вскрытия, не предусмотренного Руководством по эксплуатации, и попыток неквалифицированного ремонта;
- если дефект вызван изменением/нарушением конструкции или схемы изделия, не предусмотренным Изготовителем;
- если обнаружены повреждения, вызванные попаданием внутрь изделия посторонних предметов, веществ, жидкостей, насекомых, скоплением большого количества пыли;
- если обнаружены повреждения, связанные с замерзанием внутри прибора жидкостей, отложением накипи на ультразвуковой мембране или внутренних поверхностях прибора, вызванных большим содержанием в воде солей железа, натрия, кальция, марганца и др.;
- если обнаружены повреждения, вызванные подключением к электрической сети с недопустимыми параметрами;
- если дефект вызван действием непреодолимых сил, несчастными случаями, умышленными или неосторожными действиями потребителя или третьих лиц;
- неправильного хранения (консервации / разборки-сборки на период хранения) изделия;

Изготовитель снимает с себя любую ответственность за возможный вред, прямо и или косвенно нанесенный продукцией TIMBERK людям, домашним животным, и имуществу, в случаях, если это произошло в результате несоблюдения правил и условий эксплуатации или вследствие неквалифицированного, обслуживания и ремонта изделия, умышленных или неосторожных действий потребителя или третьих лиц.



ВНИМАНИЕ!

Если маркировочная (идентификационная) наклейка на изделие TIMBERK (TIMBERK ID) закреплена на изделии не плотно и существует риск ее утери, то вклейте ее в гарантийный талон на последней странице.

Гарантийные обязательства Изготовителя не распространяются на случаи возникновения неисправностей из-за использования химически жесткой воды без дополнительной предварительной фильтрации.

В случае несоблюдения потребителем правил и рекомендаций Руководства по эксплуатации Изготовитель не несет ответственности за возникшие при этом последствия.



ПРИМЕЧАНИЕ:

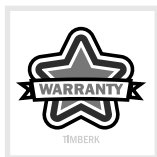
Пожалуйста, потребуйте от продавца полностью, четко и правильно заполнить бланк Гарантийного талона и отрывные талоны.

Бланк гарантийного талона.

Заполняется фирмой-продавцом

Изделие	
Модель	
Серийный номер	
Дата продажи	
Фирма-продавец	
Адрес фирмы продавца	
Телефон фирмы продавца	

Без подписи покупателя Гарантийный талон является недействительным.



Печать
фирмы-продавца

Заполняется сервисным центром

«А»

Дата приема	
Дата выдачи	
Особые отметки	

Печать
сервисного центра

«Б»

Дата приема	
Дата выдачи	
Особые отметки	

Печать
сервисного центра

«В»

Дата приема	
Дата выдачи	
Особые отметки	

Печать
сервисного центра

«Г»

Дата приема	
Дата выдачи	
Особые отметки	

Печать
сервисного центра

Подписывая данный гарантийный талон, Покупатель признает, что он:

1. Проверил заполнение информации.
2. Получил Руководство по эксплуатации на изделие на русском языке.
3. Владеет всей необходимой информацией о приобретенном изделии и его потребительских свойствах, характеристиках в соответствии со статьей 10 Закона РФ «О защите прав потребителей».
4. Ознакомлен и полностью согласен с условиями и ограничениями гарантийного обслуживания, а также с условиями установки / подключения / сервисного обслуживания / эксплуатации приобретенного изделия.
5. Не имеет претензий к внешнему виду / комплектности / работоспособности (если прибор проверялся в его присутствии при продаже) приобретенного изделия.

Подпись покупателя (с расшифровкой)

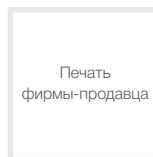
_____ / _____ /

Дата _____

Отрывной талон«А»

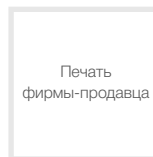
Изделие	
Модель	
Серийный номер	
Дата продажи	
Фирма-продавец	

Заполняется фирмой-продавцом

**Отрывной талон«Б»**

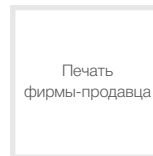
Изделие	
Модель	
Серийный номер	
Дата продажи	
Фирма-продавец	

Заполняется фирмой-продавцом

**Отрывной талон«В»**

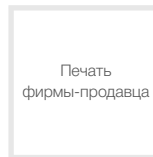
Изделие	
Модель	
Серийный номер	
Дата продажи	
Фирма-продавец	

Заполняется фирмой-продавцом

**Отрывной талон«Г»**

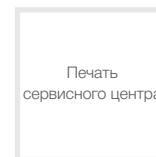
Изделие	
Модель	
Серийный номер	
Дата продажи	
Фирма-продавец	

Заполняется фирмой-продавцом



Дата приема	
Дата выдачи	
Номер заказа-наряда	
Проявление дефекта	
Мастер	
Код неисправности	

Заполняется сервисным центром



Дата приема	
Дата выдачи	
Номер заказа-наряда	
Проявление дефекта	
Мастер	
Код неисправности	

Заполняется сервисным центром



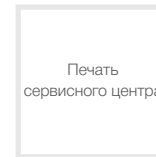
Дата приема	
Дата выдачи	
Номер заказа-наряда	
Проявление дефекта	
Мастер	
Код неисправности	

Заполняется сервисным центром



Дата приема	
Дата выдачи	
Номер заказа-наряда	
Проявление дефекта	
Мастер	
Код неисправности	

Заполняется сервисным центром





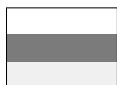
RU

Руководство по эксплуатации техники Timberk написано на английском языке и переведено на русский язык.



BY

В целях информирования покупателей техники TIMBERK, мы дополнительно сообщаем, что русский является государственным языком в следующих государствах:



OS

- в Российской Федерации
- в Республике Беларусь наряду с белорусским языком
- в частично признанной Южной Осетии наряду с осетинским языком



KZ

Русский язык является официальным языком (во всех случаях другой язык или другие языки выступают как государственный или второй официальный) в следующих государствах и на территориях:



AK



KG



UA



TJ



CIS

- в Республике Казахстан
- в Киргизской Республике
- в административных единицах Украины, где доля носителей русского языка составляет более 10%, при соответствующем решении местных советов
- в Автономной Республике Крым

В Республике Таджикистан русский язык признан по Конституции языком межнационального общения.

Официальным языком международной организации Содружество Независимых Государств (СНГ) является русский язык.

Если вы заметили ошибку в руководстве по эксплуатации, пожалуйста, сообщите нам об этом, связавшись с нами по электронной почте, указанной на сайте www.timberk.com

If you found any mistake in this manual please let us know by email listed on www.timberk.com



www.timberk.com

EAC