

LATVIA
 AS Greifto
 Pärnu mnt. 139C
 11317 Tallinn
 Tel. (6) 56 33 06
 Fax (6) 56 33 11
 greifto@datanet.ee

LEBANON
 Gebran Geahchan & Sons
 Azar Building
 Horch Tabet
 P.O.Box 55134
 Sin El Fil
 Tel. 961 1 482369
 Fax 961 1 486997

LITHUANIA
 AS Greifto
 Pärnu mnt. 139C
 11317 Tallinn
 Tel. (6) 56 33 06
 Fax (6) 56 33 11
 greifto@datanet.ee

LUXEMBOURG
 Dorel Benelux
 Brussels Int. Trade Mart
 Postbus/B.P. 301
 Aquarelle 366
 1000 Brussel/Bruxelles
 Tel. 0800 1 17 40
 Fax +31 492 578 122

MALAYSIA
 Planete Enfants Sdn. Bhd
 No. 23, Jalan SS 26/15
 Taman Mayang Jaya
 47301 Petaling Jaya
 Selangor, Malaysia
 Tel. 603-78035523
 Fax 603-78035323
 julia.lim.my@gmail.com

MALTA
 Rausi Company Limited
 J.P.R. Buildings
 Ta Zwejt Street
 San Gwann Industrial Estate
 San Gwann SGN 09
 Tel. +356 21 44 56 54
 Fax +356 21 44 56 57
 rausi.info@rausi.com.mt

MAURITIUS
 Meem Trading
 38 Sir S. Ramgoolam Street
 Port Louis
 Mauritius
 Tel. 2302403632
 Fax 2302411589
 meem@intnet.mu

MÉXICO
 QUINNY/ MAXI COSI MEXICO
 Bosque de Ciruelos #190 Piso -4
 Bosques de las Lomas
 México, D.F. 11700
 solomon.gershon@gmail.com

NEDERLAND
 Dorel Netherlands
 P.O. Box 6071
 5700 ET Helmond

NEW ZEALAND
 IGC Dorel Pty Ltd
 655-685 Somerville Road
 Sunshine West, VIC 3020
 Australia
 Tel. +61(3) 8311 5300
 Fax +61(3) 8311 5390
 sales@igcdorel.com.au

NORWAY
 BabyWorld DA (sales agent)
 Teglværksveien 25b
 N - 3057 Solbergelva
 Norway
 Tel. 32 23 00 54 / 957 39 068
 Fax 32 23 03 12
 info@baby-world.no

NORWAY
 Dorel Netherlands
 P.O. Box 6071
 5700 ET Helmond
 The Netherlands

OSTERREICH
 Dorel Germany
 Vertrieb Österreich
 Augustinusstraße 9c
 D-50226 Frechen-Königsdorf
 Deutschland
 Tel. +49 2234 / 96 43 0
 Fax +49 2234 / 96 43 33

PANAMA
 BEST BRANDS COMMERCIAL
 C. Cial Bal Harbour
 Galerías, Oficina 101
 Paitilla
 Panama, Panama
 Tel. (507) 300-2884,
 1-(305)433-2269
 Fax (507) 300-2885

POLAND
 Poltrade Waletko
 Spolka Jawna
 41-500 Chorzow
 Ul. Legnicka 84/86
 Tel. (032) 346 00 81
 Fax (032) 346 00 82
 www.maxicosi.pl
 biuro@poltradewaletko.pl
 www.poltradewaletko.pl

PORTUGAL
 Dorel Portugal LDA
 Parque Industrial da Varziela
 Árvore, 4480 Vila do Conde
 Tel. 252 248 530
 Fax 252 248 531
 maxi-cosi@dorel-pt.com

ROMANIA
 SC Miniblu SRL
 Calea Rahovei, 266-268,
 corp 60
 Etaj 1; Axele A Si B,
 Stalpii 15-16
 Bir. 104-114;Secotr 5, Bucuresti
 Tel. +40 21 404 14 00
 Fax +40 21 404 14 01
 office@miniblu.ro

SWEDEN
 Dorel Netherlands
 P.O. Box 6071
 5700 ET Helmond
 The Netherlands

RUSSIA
 Carber Poriferra
 655-685 Somerville Road
 1aã Pugachevskaya u. , 17
 Australia
 RUS-107392 Moscow
 Tel. +8(499) 161 25 91
 Fax +8(499) 161 26 48
 maxi-cosi@carber.ru

SINGAPORE
 B.I.D. Trading PTE Ltd.
 69, Kaki Bukit Ave 1
 Shun Li Industrial Park
 Singapore 417947
 Tel. +65 68441188
 Fax +65 68441189
 sales@babyhyperstore.com

SLOVAKIA
 LIBFIN SK s.r.o
 Trnavská cesta 50
 821 02 Bratislava
 Slovenská republika
 Tel. +421 255 643 601
 Fax +421 244 633 038
 info@libfin.sk
 www.libfin.sk

SLOVENIA
 Baby Center d.o.o.
 Letališka c. 3c
 Ljubljana
 Tel. 00386 01 546 64 30
 Fax. 00386 01 546 64 31
 uprava@baby-center.si

SOUTH AFRICA
 The Billson Business Trust T/A Maxi
 Cosi S.A
 18 Tucker Street
 Parsons Hill
 Port Elizabeth
 South Africa 6000
 Tel. +27 83 3911 720
 Fax +27 86 5144 508
 sales@brandsafrica.co.za
 www.brandsafrica.co.za

SOUTH KOREA
 5F Kins Tower, Intellige1,
 25-1, Jeongja-dong, Bundang-gu,
 Seongnam-si, Gyeonggi-do, Korea
 Tel. 82-31-622-2135
 Fax 82-31-712-8767
 suenoh@ykbnc.com
 www.sbaby.co.kr

SWEDEN
 Amvina
 Box 7295
 187 14 Täby
 Sweden
 Tel. +46 (0)8 732 88 50
 Fax +46 (0)8 732 8851
 info@amvina.se
 www.amvina.se

SWEDEN
 Dorel Netherlands
 P.O. Box 6071
 5700 ET Helmond
 The Netherlands

SWITZERLAND
 Dorel Juvenile Switzerland SA
 Chemin de la Colice 4
 1023 Crissier
 Tel. 0041 (0) 21 661 28 40
 Fax 0041 (0) 21 661 28 45
 info.suisse@ch-dorel.com

TAIWAN
 Topping Prosperity Inc.
 6F, No.49, Lane 76,
 Ruey-Guang Road,
 Ney-Hwu District, Taipei, Taiwan
 Tel. 02-87924158
 Fax 02-87911586
 topping2@ms21.hinet.net

THAILAND
 Diethelm
 Sukhumvit Road 2535
 Bangkok
 Prakanong
 10250 Bangkok
 Tel. 662 332 6060-89
 Fax 662 332 6127
 anuchida.i@dksh.com

TURKEY
 Grup LTD.
 Kayisdagi Cad. No:7
 Küçükbakkalköy-İSTANBUL
 Tel. 0216 573 62 00 (pbx)
 Fax 0216 573 62 09
 destek@grupbaby.com
 www.grupbaby.com

UKRAINE
 Europroduct
 4th floor, 53b
 Arnautskaya St
 65012 Odessa
 Tel. 00 380 482 227 338
 Fax 00 380 482 345 812
 europroduct@te.net.ua

UKRAINE
 Amigo Toys
 bul. Shevchenko 29
 Donetsk 83017
 Tel. 00380-62-3353478
 Fax 00380-62-3859974
 info@amigotoys.com.ua

UNITED KINGDOM
 Dorel U.K.
 Hertsmere House
 Shenley Road
 Borehamwood,
 Hertfordshire WD6 1TE
 www.maxi-cosi.com

UNITED STATES
 Dorel Juvenile Group, Inc.,
 2525 State St., Columbus,
 IN47201-7494
 Tel. (800) 951-4113

Maxi-Cosi Tobi



EN Instructions for use/Warranty
 PL Instrukcja obsługi/Gwarancja
 HU Használati utasítás/Garancia
 CS Návod k použití/Záruka
 SL Kasutusjuhend/Garantii
 RU Руководство по эксплуатации/Гарантия
 BG Упътване за употреба/Гаранция

DRU0877

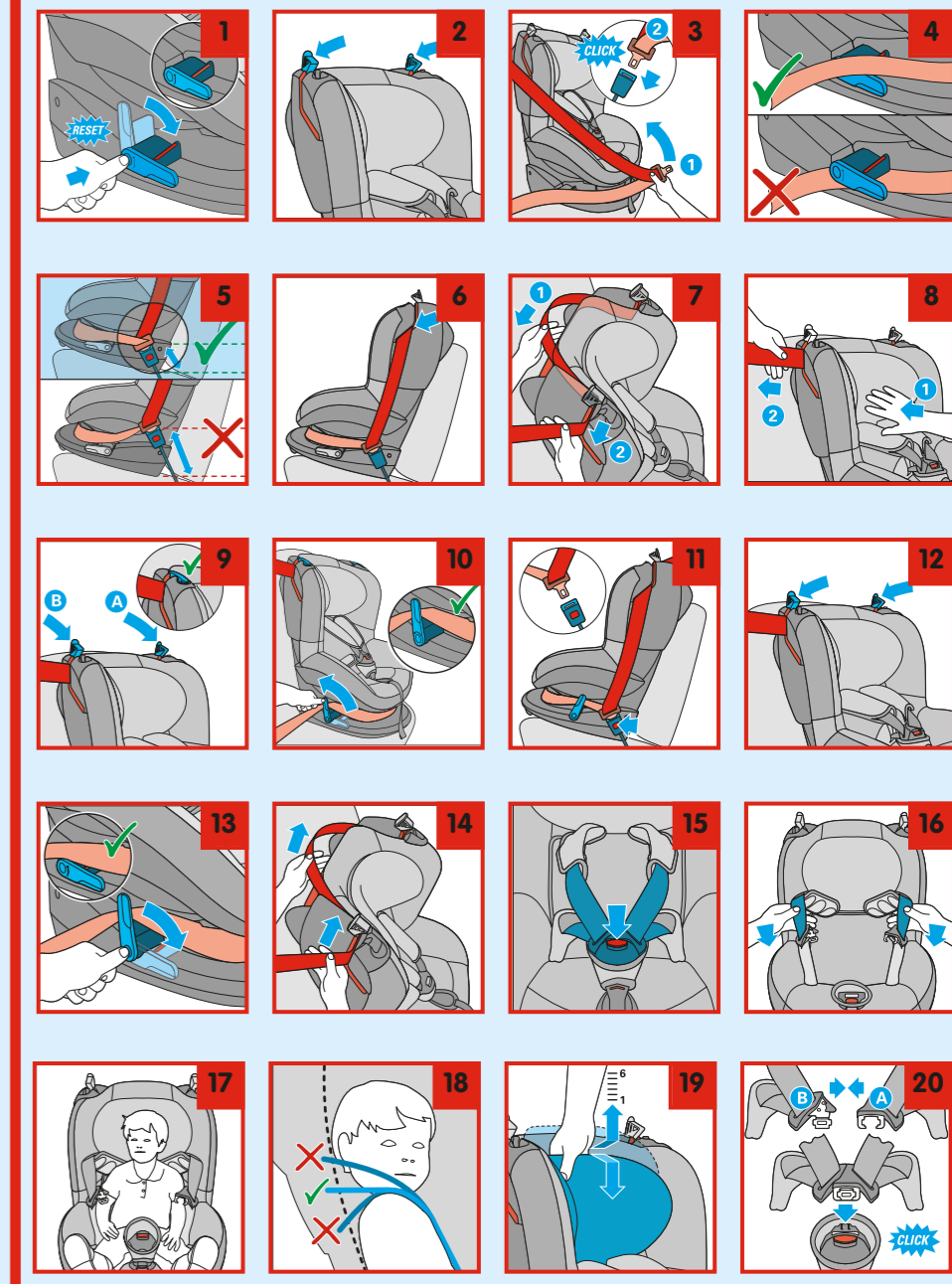
The safe world of Maxi-Cosi

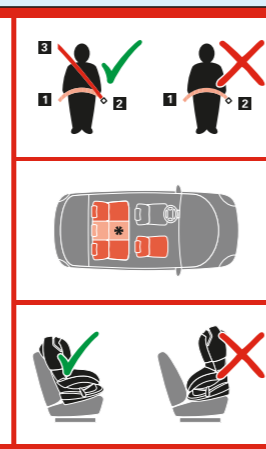
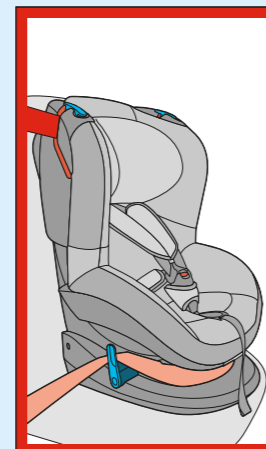
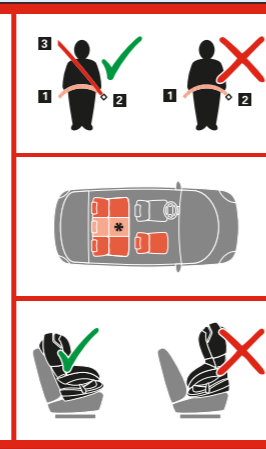
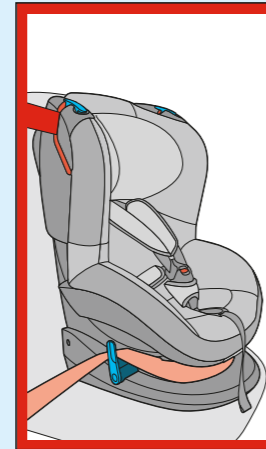
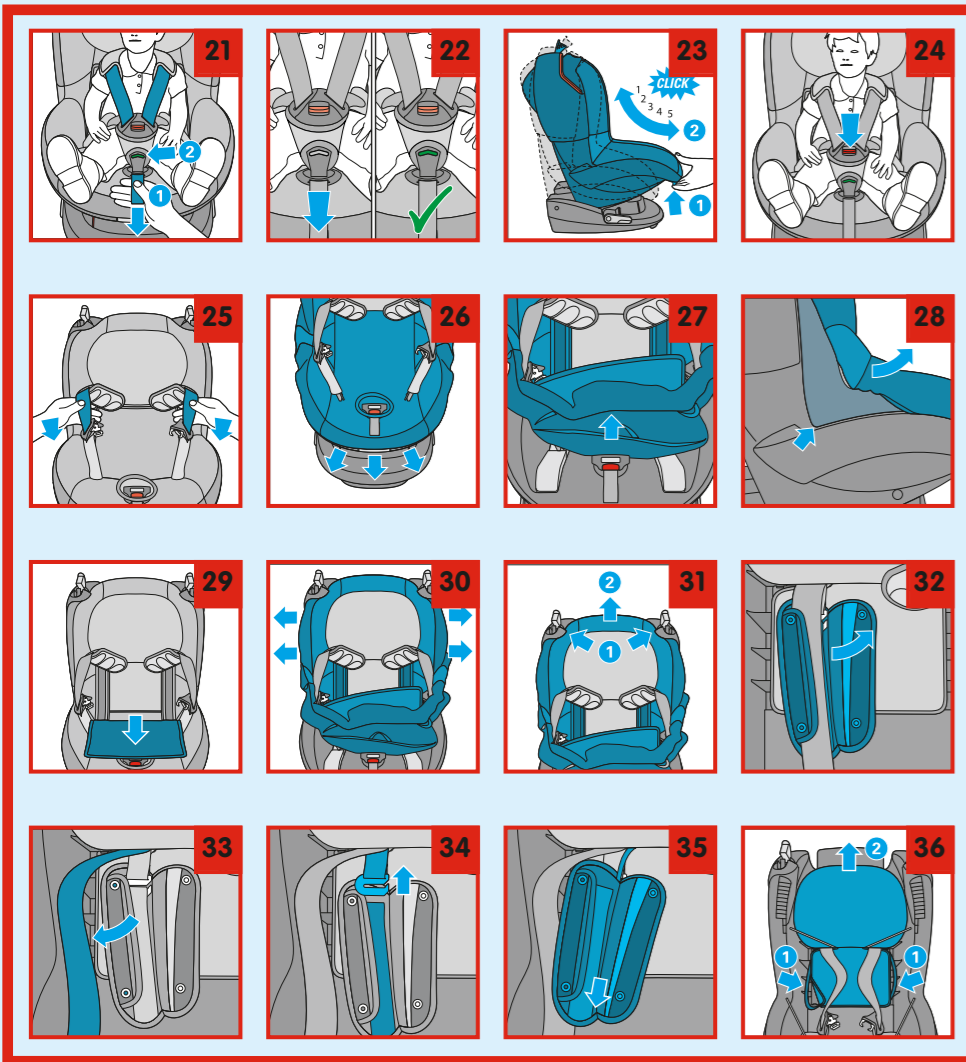


www.maxi-cosi.com

Maxi-Cosi Tobi

EN	Instructions for use/Warranty	7 - 15
PL	Instrukcja obsługi/Gwarancja	16 - 25
HU	Használati utasítás/Garancia	26 - 34
CS	Návod k použití/Záruka	35 - 44
ET	Kasutusjuhend/Garantii	45 - 53
SL	Navodilo za uporabo/Garancija	54 - 62
RU	Руководство по эксплуатации/Гарантия	63 - 73
BG	Упътване за употреба/Гаранция	74 - 83





EN	PL	HU	CS
<ul style="list-style-type: none"> Installation with 3-point belt Installation with 2-point belt 	<ul style="list-style-type: none"> Instalowanie za pomocą 3-punktowego pasa bezpieczeństwa Instalowanie za pomocą 2-punktowego pasa bezpieczeństwa 	<ul style="list-style-type: none"> Beszerelés a 3-pontos rögzítésű biztonsági övvel Beszerelés a 2-pontos rögzítésű biztonsági övvel 	<ul style="list-style-type: none"> • Připevnění 3bodovým pásem • Připevnění 2bodovým pásem
<ul style="list-style-type: none"> On passenger seat On back seat left/right On back seat centre 	<ul style="list-style-type: none"> Na fotelu pasažera Po lewej/prawej stronie tylnego siedzenia samochodu Na środkowym miejscu tylnego siedzenia samochodu 	<ul style="list-style-type: none"> Az utasülésen A hátsó ülés bal/jobb oldalán A hátsó ülésen közepen 	<ul style="list-style-type: none"> Na sedadle spolujezdce Na zadním sedadle vlevo/vpravo Na zadním sedadle uprostřed
<ul style="list-style-type: none"> Rear-facing Forward-facing Marks for belt positioning 	<ul style="list-style-type: none"> Tyłem do kierunku jazdy Przodem do kierunku jazdy Oznakowanie sposobu przeprowadzenia pasa 	<ul style="list-style-type: none"> A menetiránnyal szemben A menetirány szerint Az öv helyének jele 	<ul style="list-style-type: none"> Proti směru jízdy Po směru jízdy Vodící značení pásu
<ul style="list-style-type: none"> Frontal airbag Side airbag 	<ul style="list-style-type: none"> Przednia poduszka powietrzna Boczna poduszka powietrzna 	<ul style="list-style-type: none"> Légzsákakkal szemben Oldal légzsák 	<ul style="list-style-type: none"> Přední airbag Boční airbag

* Only with presence of a 3-point belt on the middle seat on the back seat.

* Pod warunkiem, że w samochodzie na środkowym miejscu tylnego siedzenia samochodu znajduje się 3-punktowy pas bezpieczeństwa.

* ha van biztonsági öv a hátsó ülés középső helyén.

* Pokud je prostřední zadní sedadlo opatřeno 3bodovým bezpečnostním pásem.

ET	SL	RU	BG
<ul style="list-style-type: none"> Paigaldus kolmpunktilise turvavööga Paigaldus kahepunktilise turvavööga 	<ul style="list-style-type: none"> namestitev s tritočkovnim varnostnim pasom namestitev z dvotočkovnim varnostnim pasom 	<ul style="list-style-type: none"> Фиксация ремнём безопасности с креплением в 3-х местах Фиксация ремнём безопасности с креплением в 2-х местах 	<ul style="list-style-type: none"> • Поставяне с помощта на колан с 3 точки на закрепване • Поставяне с помощта на колан с 2 точки на закрепване
<ul style="list-style-type: none"> Juhi kõrvalistmel Tagaistmel vasakul/paremal Tagaistmel keskel 	<ul style="list-style-type: none"> na sovoznikovem sedežu na levi/desni strani zadnjega sedeža na sredini zadnjega sedeža 	<ul style="list-style-type: none"> На пассажирском сидении На заднем сидении слева/справа На заднем сидении по середине 	<ul style="list-style-type: none"> На седалката до шофьора На лявата/дясната страна на задната седалка В средата на задната седалка
<ul style="list-style-type: none"> Suunaga tahapoole Suunaga ettepoole Turvavöö kulgemise markeeringud 	<ul style="list-style-type: none"> obrnjen nazaj obrnjen naprej oznake za položaj pasu 	<ul style="list-style-type: none"> Против движения По движению Маркировка хода ремня 	<ul style="list-style-type: none"> Със задната страна напред С предната страна напред Маркировка за позициониране на коланите
<ul style="list-style-type: none"> Eesmine turvapadi Külgmine turvapadi 	<ul style="list-style-type: none"> sprednja zračna blazina stranska zračna blazina 	<ul style="list-style-type: none"> Фронтальная воздушная подушка «Боковая» воздушная подушка 	<ul style="list-style-type: none"> Предна въздушна възглавница Странична въздушна възглавница

* Tingimusel, et tagaistme keskel on olemas kolmpunktiline turvavöö.

* Samo s tritočkovnim varnostnim pasom na sredini zadnjega sedeža.

* Если на заднем среднем сидении есть штатный ремень безопасности с креплением в 3-х местах

* Само при наличие на средната задна седалка на колан с 3 точки на закрепване.

ARGENTINA
Bebehaus S.A.
Guatemala 4831 - Ciudad Autónoma de Buenos Aires C1425BUO
Tel. + 54 (11) 4776-6954
Fax + 54 (911) 6265 0665 / + 54 (911) 5050 2339
info@bebehaus.com.ar
www.bebehaus.com.ar

AUSTRALIA
IGC Dorel PTY Ltd
655-685 Somerville Road Sunshine West, VIC3020
Tel. +61 (3) 8311 5300
Tel. +61 (3) 8311 5390
sales@igcdorel.com.au

AZERBAIJAN
Breshna
Passage 24
2511 AD The Hague The Netherlands
Tel. +31 (0) 703465534
Fax +31 (0) 703628924

BELGIE/BELGIQUE
Dorel Benelux
Brussels Int. Trade Mart Postbus/B.P. 301
Aquarelle 366
1000 Brussel/Bruxelles
Tel. 0800 1 17 40
Fax +31 492 578 122
www.maxi-cosi.com

BRASIL
BBtrends Imp Exp Ltda
Al. Gabriel Monteiro da Silva, 235 - Jardins
Sao Paulo - SP - Brasil
Cep:01.441-000
Tel. +55 11 3377 9200
BBtrends@BBtrends.com.br
www.BBtrends.com.br

BULGARIA
Nedelchev & Nedelchev Ltd. compl. "Gotze Delchev"
Ul. Silivria 16
Sofia 1404
Tel. 02-958 26 29
Fax 02-958 26 51
info@nn-bg.com
www.nn-bg.com

CANADA
Dorel
Dorel Distribution
873 Hodge
St. Laurent
QCH4N 2B1

ČESKÁ REPUBLIKA
Libfin s.r.o.
Legionáru 72
276 01 Melník
Tel. +420 315 621 961
Fax +420 315 628 330
info@libfin.cz
www.libfin.cz

CHILE
Mundo petit
Av. Nueva Costanera 3986,
Interior, Vitacura
Santiago, Chile
Tel. +56 (2) 415 9103 / 415 9864
Tel. +56 (8) 294 9628
Fax +56 (2) 356 4749
http://www.mundopetit.com

COLOMBIA
Ducol Trading Company Ltda.
Cra. 17 No 123-09
Apt 508
Bogotá
Colombia
Tel. + 57 1 473 3503
ducoltrading@yahoo.com

CROATIA
Media Commerce d.o.o.
CMP Savica Sanci
Majstorska 5
10000 Zagreb
Tel. 00385 1 2406-500
Tel. 00385 1 2406-501
Fax 00385 1 2406-499
media-commerce@zg.htnet.hr
www.media-commerce.com.hr

CROATIA
Magma d.d.
Att. Valentina Gulam
Cabdin bb
10 450 Jastrebarsko, Croatia
Tel. +385 1 3656 825
Fax +385 1 3656 800
valentina.gulam@magma.hr
www.magma.hr

FINLAND
Lastentarvike
Sarkatie 3
1720 Vantaa
Tel +358 985205526
Fax +358 985205426

FRANCE
Dorel France
Z.I. / 9 bd du Poitou - BP 905
49309 CHOLET CEDEX
Tel. 00-33-2-41-49-23-23
Fax. 00-33-2-41-56-17-13
info@momandco.com

CYPRUS
Xenofon Demetriades
and Son Ltd
Digeni Akrita 39H
1070 Nicosia, Cyprus.
Tel. 22750462
Fax 22750463
gkzorpas@cytanet.com.cy
info@newbabycity-online.com

DENMARK
Babysam A.m.b.A.
Egelund A 27-29
6200 Aabenraa
Tel. 74 63 25 10
Fax 74 63 25 11
babysam@babysam.dk

DEUTSCHLAND
Dorel Germany
Augustinusstraße 9c
52226 Frechen-Königsdorf
Tel. 0049 (0) 2234 / 96 43 0
Fax 0049 (0) 2234 / 96 43 33

UNITED ARAB EMIRATES
Golden Toys
P.O.Box: 6761
U.A.E.
Tel. +9714 - 226 8448
Tel. +9714 - 225 1166
Fax +9714 - 225 7336
recontra@recontra.hu
goldtoy@emirates.net.ae

UNITED ARAB EMIRATES
DutchKid FZ Co.
P.O.Box 333741
Dubai,
United Arab Emirates
Tel. +971 4 341 7500
Fax +971 4 341 7501
www.dutchkid.com

ESPAÑA
Dorel Hispania S.A.
Edificio del Llac Center
C/ Pare Rodés,
26 - Torre A 4ª Planta
08208 Sabadell (Barcelona)
Tel. 937 243 710
Fax 937 243 711

ESTONIA
AS Greifto
Pärnu mnt. 139C
11317 Tallinn
Tel. (6) 56 33 06
Fax (6) 56 33 11
greifto@datanet.ee

FINLAND
Lastentarvike
Sarkatie 3
1720 Vantaa
Tel +358 985205526
Fax +358 985205426

FRANCE
Dorel France
Z.I. / 9 bd du Poitou - BP 905
49309 CHOLET CEDEX
Tel. 00-33-2-41-49-23-23
Fax. 00-33-2-41-56-17-13
info@momandco.com

GREECE
Dionis SA
95 Aristotelous Str
13671 Axames
Athens
Tel. +3 210 2419582
Fax +3 210 2404290
info@unikid.gr

GUATEMALA
GREMAR, S.A.
phone: 502 5200 0867
Tel. 74 63 25 10
phone: 502 5990 4565

HONG KONG
Chup Shing Trading Co.Ltd.
Block A, 7/F, Unit J
25-31 Kwai Fung Crescent
Marvel Industrial Building
Kwai Chung N.T.
Tel. (852) 24 22 21 01
Fax (852) 24 89 10 92

HUNGARY
Recontra Kft.
Badacsonyi u. 24
1113 Budapest
Tel. (01) 209 26 32/209 26 33
Fax (01) 209 26 34
recontra@recontra.hu

ICELAND
Fifa ehf.
Husgagnahöllin
Bildshöfða 20
IS-110 Reykjavík
Tel. +354-5522522
fifa@fifa.is

INDONESIA
PT. Sumber Aneka Karya Abadi
JL. Batu Ceper No. 2 B-C-E
Jakarta 10120
Tel. +62-21-3854444
Fax +62-21-3442617
sakaindonesia@gmail.com

IRAN
Nowrouz Nia
Mirdamad Ave.-Valiasr Ave.
Eskan-shopping Center
No. 13 Eskan - Maxi Cosi
IRAN - 19 696 Tehran
Tel. + 982188787378
Fax + 982188775702
maxicosinia@yahoo.com

IRELAND
Dorel Ireland Ltd
All n one Ltd
42 Western Parkway
Business Park
Lower ballymount Road
Dublin 12
Ireland
Tel. 353-(1)4294055
Fax 353-(1)4294010

ISRAEL
Shesek Ltd.
288 Halechi Street
Bnei Brak 51200
Israel
Tel. 972 3 5775 133
Fax 972 3 5775 136
einat_a@shilav.com

ITALIA
Dorel Italia
Via Verdi, 14
24060 Telgate (Bergamo)
P.I. IT 02304040161
Tel. 035 44 21 035
Fax 035 44 21 048
info@it-dorel.com

KENYA
P.O Box 45221-00100,
Nairobi Kenya
Viking House, Ground Floor,
Waiyaki Way
Tel. +254716627009 or
+254722761092
info@coochycoo.co.ke
www.coochycoo.co.ke

Dear parents

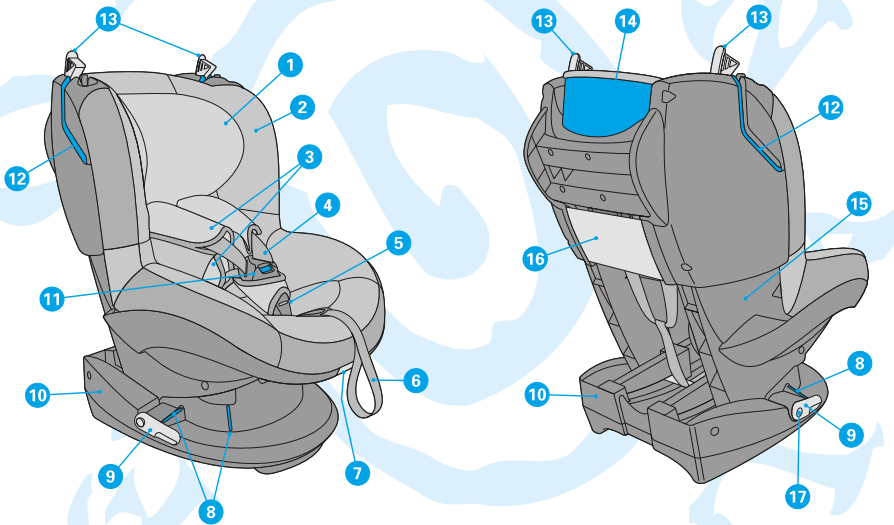
Congratulations on your purchase of the Maxi-Cosi Tobi.

During the development of the Maxi-Cosi Tobi, we paid special attention to safety, ease of use, comfort and design. As a result of this, this product fulfils the strictest safety requirements.

Studies have shown that a large percentage of child car seats are not used correctly. It is therefore important that you take the time to read these instructions through carefully. The optimum safety of your child is only guaranteed if the Maxi-Cosi Tobi is used correctly.

Continuous research by our product development and marketing departments, both by intensive cooperation with test institutes and in consultation with consumers and customers, ensures that we remain at the forefront in the area of child safety in the car. If you have any questions or remarks concerning the use of the Maxi-Cosi Tobi, we will be happy to hear from you.

Dorel (address and telephone number on the back of this instruction manual)



- | | |
|--|--|
| 1. Headrest | 10. Frame |
| 2. Fabric cover | 11. Belt buckle |
| 3. Belt pads | 12. Red belt slot for shoulder part of seat belt |
| 4. Shoulder belts - harness system | 13. Belt clamp for car seat |
| 5. Belt tension indicator | 14. Red marks back of seat belt |
| 6. Adjustment belt for belt system | 15. Shell |
| 7. Adjustment handle shell | 16. Storage compartment for instruction manual |
| 8. Red marks for hip part of seat belt | 17. Release button belt tensioner(s) |
| 9. Tensioner(s) for seat belt | |

SPECIAL FEATURES

To reduce the likelihood of incorrect use and to improve ease of use the Maxi-Cosi Tobi has the following unique features:

- A harness belt system that "springs" open itself as soon as the belt buckle is opened.
- An indicator on the belt buckle that indicates by means of colour when the belts are properly tightened.
- A belt buckle that also acts as the control button for the belt system; i.e. when the buckle is opened, the control of the shoulder belts is automatically released and the belts can be made longer. When the buckle is closed, the shoulder belts can be tightened until the indicator is "GREEN". No further operation of buttons is required!

CONTENTS

1.	IMPORTANT: READ FIRST!	8
2.	INSTALLATION AND REMOVAL OF THE MAXI-COSI TOBI	9
3.	PLACING YOUR CHILD IN THE MAXI-COSI TOBI	10
3.1	Using the harness system	10
3.2	Seat positions (Adjusting the seat into sitting and reclining positions)	11
3.3	Taking the child out	11
4.	MAINTENANCE	11
4.1	General	11
4.2	Fabric cover	12
4.3	Belt buckle functioning and cleaning	12
5.	GENERAL INSTRUCTIONS	13
6.	WASTE SEPARATION	14
7.	NEXT STAGE CHILD CAR SEATS	14
8.	WARRANTY	14
9.	QUESTIONS	15

1. IMPORTANT: READ FIRST!

Please read these user instructions carefully and keep them for future reference. If these instructions are not followed, the safety of a child may be severely endangered.






Only use original accessories and parts that have been endorsed by the manufacturer. Do not make any modifications to the product. Contact your supplier or importer if you have any complaints or problems.

Approved according to ECE R44/04			
	Group	Body weight of child	Age
Maxi-Cosi Tobi	1	9 -18 kg	Approx. 9 months – 3.5 years

2. INSTALLATION AND REMOVAL OF THE MAXI-COSI TOBI

Installation with 3-point belt (follow red colour marks on product)

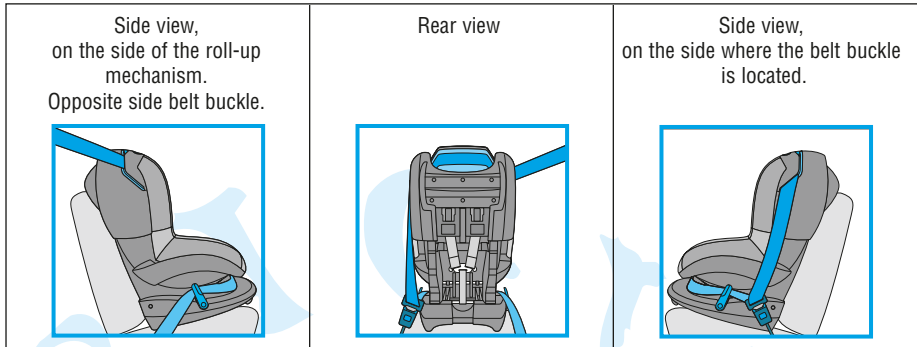
-  Only use the Maxi-Cosi Tobi on a front-facing seat that has been provided with an automatic 3-point belt, provided it has been approved according to the ECE R16 standard or similar.
-  Correct fitting of the car seat belt is essential for the safety of your child. The car seat must be attached in the correct sequence along the red marks on the Maxi-Cosi Tobi, for this see also the sticker on the side of the Maxi-Cosi Tobi. **Never fit the seat belt in a way other than that described!**
-  Remove the headrest of the seat where the Maxi-Cosi Tobi is to be used in the car if it is in the way. Do not forget to put the headrest back when the seat is used again.

EN

A. Installation

- **NOTE!** Lock fold-down rear seats before installing the Maxi-Cosi Tobi.
- **NOTE!** In some cases, the seat belts are positioned too far forward. This will make proper installation impossible. Try a different seat in this case.
- 1** • **NOTE!** Before the seat is installed, make sure that the belt tensioners are in the correct position by pressing the release button (1). The belt tensioners should be horizontal.
- 2** • **NOTE!** Make sure that both seat belt clamps are open (2).
- Place the Maxi-Cosi Tobi on the car seat.
- 3 4** • Place the seat belt for the Maxi-Cosi Tobi along and **over** (4) the belt tensioners. Make sure that the hip belt passes under the shell, over the red belt marks (3,1).
- 3** • Click the seat belt into the belt buckle of the car (3,2).
- 5** • **NOTE!** It may be the case that the buckle part of the seat belt is so long that the buckle protrudes above the frame of the Maxi-Cosi Tobi. If this is so, the Maxi-Cosi Tobi cannot be secured properly. In that case, choose another position in the car (5). Moreover, it may break the buckle!
- 6** • Slide the shoulder part of the seat belt, on the side where the belt buckle of the car is also located, through the red belt slot on the backrest (6).
- 7** • Then pass the shoulder part along the red marks for the shoulder belt on the back of the Maxi-Cosi Tobi (7).
- 7** • Slide this through the second red belt slot to the outside (7,2).
- 8** • Push the Maxi-Cosi Tobi firmly into the car seat (8,1) while at the same time pulling the shoulder belt tight (8,2). The Maxi-Cosi Tobi is now securely in place in the car. Double-check this!
- 9** • First shut the belt clamp on the belt buckle side and then that on the other side, in the direction of the roll-up mechanism (9).
- 10** • Finally, tighten the belt properly by turning the belt tensioner(s) a quarter of a turn upwards in the vertical position (10). The seat belt is now fitted more tightly!
- In many cases this will result in a kink in the hip belt. However, this does not involve any danger for your child and is part of the correct installation!
- **NOTE!** Make sure that both belt clamps on top of the seat are closed.
- **NOTE!** Make sure that the car seat belt is not twisted.

- When the seat belt has been installed properly, the various “views” will look as follows:



EN

Checklist...

To ensure the optimum safety of the child, after installing the seat check once more that...

- the seat belt is tight and that it is not twisted,
- the hip part of the seat belt passes **over** the red belt marks and belt tensioner(s),
- the (diagonal) shoulder part of the seat belt is attached properly and passes through the two belt slots, along the red marks on the rear of the Maxi-Cosi Tobi,
- both belt clamps are closed,
- the belt tensioner(s) is in the tensioned, vertical position,
- the entire Maxi-Cosi Tobi is installed securely and firmly in the car.

B. Removing the Maxi-Cosi Tobi

- 11 • Open the belt buckle of the seat belt (11).
- 12 • Next, open both belt clamps (12).
- 13 • Release the belt tensioner by pressing the button (13). The belt tensioner will now move down, into the horizontal position.
- 14 • Remove the seat belt from the belt slots (14).
- Take the Maxi-Cosi Tobi out of the car.

3. PLACING YOUR CHILD IN THE MAXI-COSI TOBI

3.1 Using the harness system

A. Adjusting the height of the harness

Before placing the child in the Maxi-Cosi Tobi and locking the harness belt, first determine the correct height of the shoulder belts and headrest.

- 15 • Open the belt buckle (15) by pressing the red button of the belt buckle.
- The shoulder belts are now automatically released and can be made longer without pressing any other buttons.
- 16 • Loosen the shoulder belts by pulling them forwards as far as possible (16).
- **NOTE!** Do not pull on the belt pads when doing so.
- 17 • Place the child with his/her back straight in the Maxi-Cosi Tobi and check the belt height (17).
- 18 • **NOTE!** The height of the shoulder belts is correct when the belt disappears into the shell slightly above your child's shoulders (18).
- Adjust the height of the shoulder belts in combination with and by means of the headrest.
- 19 • To move the shoulder belts and headrest to the required height, move the headrest by the handle on the top at the same time forwards and up or down (19). The shoulder belts including headrest can be set to 6 different heights.

B. Placing the child in the Maxi-Cosi Tobi

- Place the child with his/her back straight in the Maxi-Cosi Tobi.
- 20** • Slide the buckle sections together (part A on part B) and insert them into the belt buckle with a clearly audible "click" (20). When the buckle is closed, the belt system is blocked and can only be pulled tighter. If you need to make the belts longer, the buckle must first be opened again.
- 21 22** • Now pull the harness system tight by pulling on the adjustment belt (21,2). Pull until the indicator on the belt buckle turns green (21,2). If this is still silver the belt should be pulled tighter (22). Make sure that the indicator is green **before driving**. If it seems like the harness belt is still loose even though the indicator is on green, the belt can be pulled more tightly. This will ensure optimum safety. While driving, it is possible that the indicator reverts back to silver as a result of the child's movements. This is normal and will not affect the child's safety.
- **NOTE!** The tighter the belts fit around a child, the better the protection.
- **NOTE!** Make sure the textured (anti-slip) side of the belt pads are positioned properly on your child's shoulders/chest.
- **NOTE!** Make sure the belts are not twisted or folded double.



Always use the belt pads, as they are essential for your child's safety.



Tell the child never to play with the belt buckle.

3.2 Seat positions (Adjusting the seat into sitting and reclining positions)

The Maxi-Cosi Tobi can be set in 5 positions.

- 23** • Pull the positioning handle under the front of the seat upwards and then pull or push the seat forwards or backwards (23).
- Release the positioning handle in the desired position and push until you hear a "click".
- **NOTE!** Check to make sure the Maxi-Cosi Tobi is securely locked in the desired position by pulling on it.

Checklist...

To ensure the optimal safety of the child, check before every trip to make sure that ...

- the entire Maxi-Cosi Tobi is installed securely and firmly in the car,
- the height of the shoulder belts is suitable for your child,
- the belts are not twisted,
- the textured (anti-slip) side of the belt pads is positioned properly on your child's shoulders/chest,
- the child is secure in the belts, the belt buckle is shut and the indicator is on green,
- the tether on the Maxi-Cosi Tobi is not damaged. If it is damaged, do not use the Maxi-Cosi Tobi in any circumstances and contact your retailer or importer immediately.

3.3 Taking the child out

- Place the Maxi-Cosi Tobi in the sitting position (also see section 3.2 Seat positions).
- 24** • Open the belt buckle by pressing the red button of the buckle (24).
- 25** • Loosen the shoulder belts by pulling them forwards as far as possible (25).
- Take the child out of the Maxi-Cosi Tobi.

4. MAINTENANCE

4.1 General

- **NOTE!** Perform these actions only while the Maxi-Cosi Tobi is outside of the car.
- Use lukewarm water, soap and a cloth to clean the plastic parts of the seat. Do not use any aggressive cleaning agents.
- The fabric parts can be cleaned according to the instructions on the washing label; hand washing in lukewarm water and a mild detergent.
- **NOTE! Never** use lubricants – not even for the moving parts of the Maxi-Cosi Tobi.

4.2 Fabric cover

Removing the cover

- 24 25** • Open the belt buckle. Loosen the shoulder belts by pulling them forwards as far as possible (24, 25). Unhook the elastic loops from the hooks on both sides of the positioning handle.
- 26 27** • Remove the elastic edge of the cover from the edges of the shell and then carefully loosen the cover at the front (26, 27).
 - Remove the belt buckle pad by pulling it carefully over the belt buckle sideways at an angle. Pass the cover over the belt buckle (from back to front).
- 28** • Loosen the cover from the side points on both sides of the shell (28).
- 29** • Loosen the back flap of the cover and fold it forwards (29).
- 30** • Remove the cover carefully from the sides (30).
- 31** • Loosen the cover behind the belt clamps. The cover has been pushed behind the belt clamps here (31,1)
- 31** • Now pull the cover carefully over the headrest (31,2).
 - Remove the cover.
- 32** • Remove the belt pads of the shoulder belts by loosening the Velcro and the poppers on the outside (32).
- 33** • Remove the belt behind the flap with the Velcro (33).
- 34** • Slide the hook clasp out of the loop of the belt pad (34).
- 35** • Remove the belt pad from the spring (35).
 - Do this with both belt pads.
 - Repeat the above, with the exception of the clasp, for the two hip belt pads. The hip belt pads are attached to the belt with Velcro.
- 36** • Remove the headrest cover by removing the two elastic bands from the bottom flap under the plastic part (36,1).
 - Loosen the headrest cover on one side under a point and remove the cover carefully on this side of the headrest.
 - Carefully loosen the headrest cover at the edge under the handle at the top of the headrest.
- 36** • Now remove the headrest cover carefully (36,2).

Cleaning the cover

- Wash the cover and belt pads by hand (maximum of 30°C). Do not use a drier. Also see the care instructions on the cover.

Tip: It is wise to buy an extra cover when purchasing the Maxi-Cosi Tobi so that you can continue to use it even when the cover is being washed and dried.

Reattaching the cover

- Repeat the above steps in the reverse order!
- **NOTE!** First attach the 4 belt pads and the headrest cover before reattaching the cover.
- Slide the cover well into the cover edges of the shell all over.
- Check that the cover is tight fitting all over and secured properly.

4.3 Belt buckle and belt adjustment system functioning and cleaning

The proper functioning of the belt buckle and belt adjustment system is very important for the safety of the child. The most common reason that the buckle and/or belt adjustment system does not function properly is because it is dirty (from dust, grime, food particles, etc.). Make sure that the belt buckle stays clean by vacuuming out all dirt. If the belt adjustment system is not functioning properly, contact your supplier or importer immediately (see back of instruction manual for contact details). Do not use the Maxi-Cosi Tobi under any circumstances!

The following is a list of possible causes of function failure and possible solutions.

A. Malfunction to the belt buckle

- When opening the belt buckle, the buckle sections are released slowly.
- The belt buckle can only be opened with considerable force.
- It is difficult to click the buckle sections into the buckle (too much resistance).
- The buckle will no longer close, the buckle sections will not go together.
- There is no "click" sound when closing the buckle.

B. Solving any problems

- Check the buckle for any dirt and if necessary clean by knocking the dirt out, rinsing, blowing clean or vacuuming with a vacuum cleaner, for example.
- **NOTE! Never** use lubricants!

If you are unable to close the belt buckle or if you are unsure whether you have solved the problem correctly, contact your retailer or importer immediately (see back of instruction manual). Under no circumstances should the Maxi-Cosi Tobi be used.

5. GENERAL INSTRUCTIONS***Always pay attention to the following...***

- Always use the seat, even on short trips close to home, as this is when most accidents occur.
- Only use the Maxi-Cosi Tobi in a car and not at home. Car seats are not designed for home use.
- The Maxi-Cosi Tobi may be used in the front seat and in the back seat. Even if the car is equipped with an airbag! However, we recommend installing it on the back seat. If this is not possible, make sure that, if installing on a front seat equipped with an airbag, the seat is in the rear-most position. See the car manual, as more and more cars have the possibility to easily switch off the airbag.
- The seat must always be secured with the seat belt, even when not in use. A loose seat could injure other passengers in an emergency stop.
- Make sure that the Maxi-Cosi Tobi is not jammed or wedged by heavy luggage, adjustable seats or closing doors.
- Never use the Maxi-Cosi Tobi without the cover. Do not replace the cover by a cover other than the original as the cover forms part of the total safety of the seat.
- Always cover up the Maxi-Cosi Tobi when the car is parked in the full sun; plastic and metal parts may become extremely hot, this can cause burns and may discolour the cover unnecessarily.
- To avoid damage to the fabric, do not remove the logos, etc. on the cover.
- Make sure that there is no baggage or other loose objects (for example on the rear shelf) in the car. In an emergency stop or crash these become dangerous projectiles!
- When making long journeys, make sure to take frequent breaks in order to give your child some room to move.
- **Never** leave your child alone in the car unattended.
- Keep the user instructions for future reference in the appropriate place at the back of the Maxi-Cosi Tobi.
- Never use second-hand products! You never know what may have happened with these. The safety of the seat can only be guaranteed by the manufacturer if it is used by its first owner.
- The user should not make any modifications to the car seat or the belts. Also labels or warnings, etc. that form part of the seat should not be removed in any circumstances!
- Always replace the Maxi-Cosi Tobi after an accident, as the seat may become unsafe due to damage that is not readily apparent.
- The manufacturer knows that car seats may cause impressions in car upholstery or car seat belts. These cannot be avoided, since the safety standards demand powerful and firm fastening methods. That is why the manufacturer cannot be held liable for any damage as a result of these.

And of course ...

- Always set a good example and wear your own safety belts!

EN

6. WASTE SEPARATION

To ensure optimum and safe use of car safety seats, they should not be used for longer than 5 years after the date of purchase. Ageing of the plastic, for instance under the influence of sunlight (UV), may quite unnoticeably reduce the qualities of the product.

Once the child has grown out of the seat, we therefore advise you to no longer use the car seat and to dispose of it in the proper way.


As we care for the environment we request the user to separate the waste produced at the start (packaging) and end (product parts) of the life of the Maxi-Cosi Tobi.



Make sure to keep plastic wrapping material out of reach of your child in order to avoid the risk of suffocation.

Packaging	Cardboard box	Paper waste
	Plastic bag	Residual waste
Product parts	Fabric cover	Residual waste
	Plastic parts	In accordance with the typification of the appropriate container
	Metal parts	Container for metal
	Tether	Container for polyester
	Belt buckle	Residual waste

7. NEXT STAGE CHILD CAR SEATS

Type of child car seat	Approved according to ECE R44/04		
	Group	Body Weight of child	Age
 Maxi-Cosi Rodi XR	2 + 3	15 - 36 kg	Approx. 3,5 - 12 years

8. WARRANTY

We guarantee that this product was manufactured in accordance with the current European safety requirements and quality standards which are applicable to this product, and that this product is free from defects in workmanship and material at the time of purchase. During the production process the product was subjected to various quality checks. If this product, despite our efforts, shows a material/manufacturing fault within the warranty period of 24 months, (with normal use as described in the user instructions) we will comply with the warranty terms and conditions. In this case please contact your dealer. For extensive information on applying the warranty terms and conditions, you can contact the dealer or look on our website: www.maxi-cosi.com.

Warranty

The warranty is not valid in the following cases:

- In case of a use or purpose other than described in the manual.
- If the product is submitted for repair through a dealer that is not authorized by us.
- If the product is not supplied to the manufacturer with the original purchase receipt (via the retailer and/or importer).
- If repairs were carried out by third parties or a dealer that is not authorized by us.
- If the defect is the result of improper or careless use or maintenance, negligence or impact damage to the fabric cover and/or frame.
- If the parts show normal wear and tear that may be expected from daily use of a product (wheels, rotating and moving parts etc.)

Date of effect:

The warranty becomes effective on the date the product is purchased.

Warranty term:

The warranty period applies for a period of 24 consecutive months. The warranty only applies for the first owner and is not transferable.

What to do in case of defects:

After purchasing the product, keep the purchase receipt. The date of purchase must be clearly visible on the receipt. Should problems or defects arise please contact your retailer. Exchanging or taking back the product cannot be requested. Repairs do not give entitlement to extension of the warranty. Products that are returned directly to the manufacturer are not eligible for warranty.

This Warranty Clause conforms to European Directive 99/44/EG of 25 May 1999.

9. QUESTIONS

If you have any questions, please ring your supplier or importer (see back of the user instructions). Make sure you have the following information at hand:

- Serial number at the bottom of the orange/white ECE sticker (at the back of the Maxi-Cosi Tobi).
- Make, type and construction of the car and the seat on which the Maxi-Cosi Tobi is used.
- Age (length) and weight of your child.

Drodzy Rodzice

Gratulujemy zakupu fotelika samochodowego Maxi-Cosi Tobi.

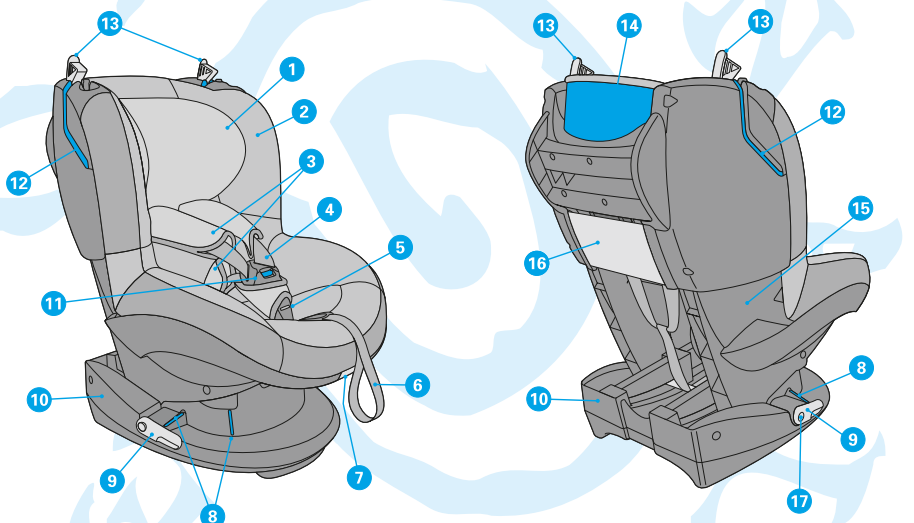
W pracach nad rozwojem fotelika Maxi-Cosi Tobi zwracaliśmy szczególną uwagę na bezpieczeństwo, komfort, łatwość obsługi oraz wygląd. Produkt ten spełnia najbardziej surowe wymogi bezpieczeństwa.

PL

Badania pokazują, że znaczna część fotelików samochodowych dla dzieci jest używana nieprawidłowo. Dlatego też prosimy o poświęcenie czasu na dokładne zapoznanie się z niniejszą instrukcją obsługi. Optymalne bezpieczeństwo Twojego dziecka może być zagwarantowane tylko wtedy, gdy fotelik Maxi-Cosi Tobi jest używany prawidłowo.

Nieustanne badania prowadzone przez nasze działy rozwoju i marketingu wspierane przez intensywne kontakty i konsultacje z instytucjami przeprowadzającymi testy, jak i konsumentami, sprawiają, że przodujemy w dziedzinie bezpieczeństwa dziecka w samochodzie. Jeśli macie Państwo jakiegokolwiek pytania lub uwagi związane z użytkowaniem fotelika Maxi-Cosi Tobi, chętnie ich wysłuchamy.

Dorel (adres i telefon znajdują się z tyłu instrukcji obsługi).



- | | |
|--|--|
| 1. Zagłówek | 10. Podstawa |
| 2. Tapicerka | 11. Zamek pasów uprząży |
| 3. Ochraniacze pasów | 12. Czerwona szczelina dla barkowej części pasa samochodowego |
| 4. Pasy barkowe uprząży fotelika | 13. Blokada pasa bezpieczeństwa mocującego fotelik |
| 5. Wskaźnik napięcia pasów | 14. Czerwone oznaczenie przebiegu barkowej części pasa samochodowego |
| 6. Pas do szybkiej regulacji długości pasów uprząży | 15. Korpus (skorupa) fotelika |
| 7. Dźwignia do regulacji kąta pochylenia fotelika | 16. Schowek na instrukcję obsługi |
| 8. Czerwone oznaczenie przebiegu biodrowej części pasa samochodowego | 17. Przycisk zwalniający napinacza pasa bezpieczeństwa |
| 9. Napinacz pasa samochodowego mocującego fotelik | |

WYJĄTKOWE CECHY MAXI-COSITOBİ

Aby zmniejszyć ryzyko nieprawidłowego użycia oraz zwiększyć łatwość obsługi, Maxi-Cosi Tobi posiada następujące unikalne właściwości

- System uprząży wspomagany przez sprężyny, otwierający się samoczynnie gdy zostanie otwarty zamek uprząży .
- Wskaźnik znajdujący się na zamku uprząży informujący za pomocą koloru, czy pasy uprząży są dostatecznie silnie napięte.
- Zamek uprząży funkcjonujący jednocześnie jako przycisk zwalnający blokadę regulacji długości. Po otwarciu zamka blokada regulacji długości pasów barkowych zostaje automatycznie zwolniona i pasy można wydłużyć. Gdy klamra pasów uprząży zostanie zapięta w zamku wówczas należy te pasy napinać dopóki wskaźnik nie stanie się całkowicie ZIELONY. Wyliminowano tym samym użycie dodatkowego przycisku.

PL

SPIS TREŚCI

1.	WAŻNE! PRZECZYTAJ TO NA POCZĄTKU!	17
2.	MONTAŻ I DEMONTAŻ FOTELIKA MAXI-COSITOBİ W SAMOCHODZIE	18
3.	UMIESZCZANIE DZIECKA W FOTELIKU MAXI-COSITOBİ	19
3.1	Używanie uprząży fotelika	19
3.2	Pozycje fotelika (ustawianie fotelika w pozycji siedzącej i półleżącej)	20
3.3	Wymywanie dziecka	21
4.	KONSERWACJA	21
4.1.	Ogólna	21
4.2.	Tapicerka	21
4.3.	Funkcjonowanie i czyszczenie zamka uprząży	22
5.	OGÓLNE INSTRUKCJE	22
6.	SEGREGACJA ODPADÓW	23
7.	NASTĘPNE FOTELIKI SAMOCHODOWE	24
8.	GWARANCJA	24
9.	PYTANIA	25

1. WAŻNE! PRZECZYTAJ TO NA POCZĄTKU!

Przeczytaj instrukcję uważnie i zachowaj ją na przyszłość. Nieprzestrzeganie zasad korzystania z fotelika przedstawionych w tej instrukcji może narazić Twoje dziecko na poważne obrażenia.



Używaj wyłącznie oryginalnych akcesoriów i części dopuszczonych do użytku przez producenta. Nie dokonuj żadnych zmian ani modyfikacji produktu. Jeżeli chcesz złożyć reklamację lub masz jakikolwiek problem skontaktuj się ze sprzedawcą lub importerem.

Przeznaczenie zgodnie z ECE R44/04			
	Grupa	Waga dziecka	Wiek
Maxi-Cosi Tobi	1	9 -18 kg	9 miesięcy - 3,5 lata

2. MONTAŻ I DEMONTAŻ FOTELIKA MAXI-COSI TOBI W SAMOCHODZIE

Instalacja przy użyciu 3-punktowego pasa bezpieczeństwa (patrz czerwone oznakowanie na produkcie).

! Fotelik Maxi-Cosi Tobi należy umieszczać wyłącznie na siedzeniu skierowanym przodem do kierunku jazdy, posiadającym automatyczny 3-punktowy pas bezpieczeństwa, który uzyskał homologację zgodnie z wymaganiami regulaminu ECE R16 lub innego równoważnego standardu.

! Prawidłowy przebieg pasa samochodowego ma istotne znaczenie dla bezpieczeństwa Twojego dziecka. Pas samochodowy musi być prowadzony według wymienionej w instrukcji kolejności i musi biec wzdłuż czerwonych oznakowań na foteliku Maxi-Cosi Tobi. W tym celu obejrzyj naklejkę umieszczoną z boku fotelika Maxi-Cosi Tobi. **Nigdy nie stosuj innego przebiegu pasa niż tutaj opisany!**

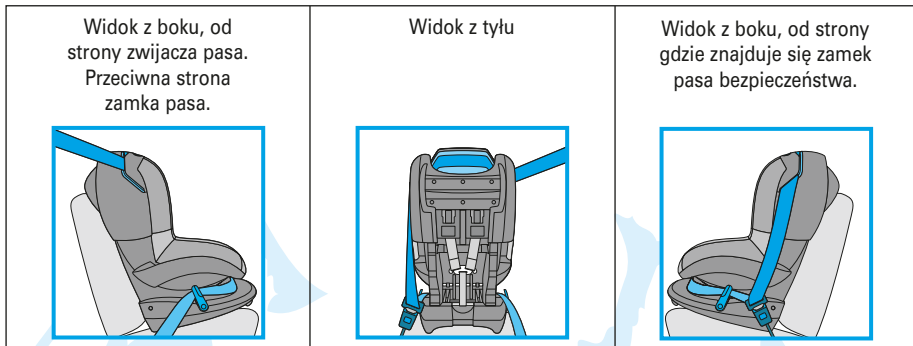
! Usuń zagłówki z fotela pasażera, na którym używany jest w samochodzie fotelik Maxi-Cosi Tobi, jeśli „wchodzi on w drogę” fotelikowi. Nie zapomnij o ponownym zamontowaniu zagłówka, gdy fotel będzie wykorzystany przez dorosłego pasażera.

A. Montaż

- **UWAGA!** Zablockuj składane tylne siedzenia przed zainstalowaniem fotelika samochodowego Maxi-Cosi Tobi.
 - **UWAGA!** Na niektórych siedzeniach samochodów pasy są wysunięte za bardzo do przodu, tak, że niemożliwa jest prawidłowa instalacja fotelika. Spróbuj w takim przypadku zamontować fotelik na innym siedzeniu.
- 1** • **UWAGA!** Przed instalacją fotelika sprawdź, czy napinacze pasa samochodowego (będące częścią fotelika) znajdują się w prawidłowym położeniu naciskając przycisk zwalniający (1). Napinacze powinny znajdować się w pozycji poziomej.
 - 2** • **UWAGA!** Sprawdź, czy obie blokady barkowej części samochodowego pasa bezpieczeństwa znajdujące się w zagłówku są otwarte (2).
 - Umieść fotelik samochodowy Maxi-Cosi Tobi na siedzeniu samochodu.
 - 3 4** • Przeprowadź pas samochodowy z przodu fotelika Maxi-Cosi Tobi pomiędzy i **nad** (4) napinaczami pasa. Sprawdź, czy pas biodrowy przechodzi poniżej skorupy fotelika i po czerwonych oznaczeniach prawidłowego przebiegu pasa (3,1).
 - 3** • Wepnij klamrę samochodowego pasa bezpieczeństwa w jego zamek (3,2).
 - 5** • **UWAGA!** W niektórych przypadkach część klamry i/lub zamka samochodowego pasa bezpieczeństwa jest zbyt długa i wystaje za wysoko w stosunku do skorupy fotelika Maxi-Cosi Tobi. W takim wypadku fotelik Maxi-Cosi Tobi nie może bezpiecznie zainstalowany. Ponadto klamra/zamek pasa bezpieczeństwa może się przez to złamać! Spróbuj zainstalować wówczas fotelik innym miejscu w samochodzie (5).
 - 6** • Przeciągnij barkową część pasa (znajdującą się po stronie zamka samochodowego pasa bezpieczeństwa) przez czerwoną szczelinę w oparciu fotelika (6).
 - 7** • Przeprowadź następnie barkową część pasa wzdłuż czerwonego oznaczenia z **tyłu** fotelika samochodowego Maxi-Cosi Tobi (7,1).
 - 7** • Przeciągnij ją następnie ponownie na zewnątrz przez drugą czerwoną szczelinę (7,2).
 - 8** • Mocno wciśnij fotelik Maxi-Cosi Tobi w siedzenie samochodowe (8,1) jednocześnie mocno zaciągając pas barkowy (8,2). Fotelik Maxi-Cosi Tobi jest teraz bezpiecznie przymocowany w samochodzie. Dla pewności sprawdź to jednak dwa razy!
 - 9** • Zamknij najpierw blokadę pasa znajdującą się po stronie zamka pasa, a potem tą, znajdującą się po stronie zwijacza (9).
 - 10** • Na koniec naciągnij mocno pas obracając napinacze pasa samochodowego o jedną czwartą obrotu w górę do położenia pionowego (10). Pas samochodowy jest teraz naciągnięty mocno.
 - W wielu przypadkach powstaje przy tym pofałdowanie w pasie biodrowym. Nie stanowi to jednak żadnego niebezpieczeństwa dla Twojego dziecka i stanowi element prawidłowej instalacji.
 - **UWAGA!** Upewnij się, że obie klamry pasa na górze fotelika są zamknięte.
 - **UWAGA!** Upewnij się, że samochodowy pas bezpieczeństwa nie jest skręcony.

PL

- Gdy pas samochodowy jest prawidłowo zainstalowany, widok z poszczególnych stron będzie wyglądał następująco:



PL

Lista kontrolna...

Po instalacji sprawdź ponownie dla pewności oraz optymalnego bezpieczeństwa dziecka, czy...

- pas samochodowy jest mocno zaciągnięty i nie jest skrecony,
- część biodrowa pasa samochodowego przebiega **nad** czerwonymi oznaczeniami i napinaczami pasa,
- część barkowa samochodowego pasa bezpieczeństwa jest zamocowana prawidłowo i przebiega przez obie szczeliny oraz wzdłuż czerwonych oznaczeń z tyłu fotelika Maxi-Cosi Tobi,
- obie blokady pasa są zamknięte,
- napinacze pasa znajdują się w napiętym, pionowym położeniu,
- fotelik Maxi-Cosi Tobi jest zamocowany mocno i stabilnie na siedzeniu samochodowym

B. Wymowanie fotelika Maxi-Cosi Tobi

- 11 • Otwórz zamek samochodowego pasa bezpieczeństwa (11).
- 12 • Następnie otwórz obie klamry pasa (12).
- 13 • Poluzuj napinacze pasa samochodowego wciskając przycisk (13). Napinacze pasa samochodowego przeskoką automatycznie w dół do położenia poziomego.
- 14 • Wyjmij pas samochodowy z czerwonych szczelin na pas (14).
- Wyjmij fotelik Maxi-Cosi Tobi z samochodu.

3. UMIESZCZANIE DZIECKA W FOTELIKU SAMOCHODOWYM MAXI-COSI TOBI

3.1 Używanie systemu uprząży fotelika

A. Regulacja wysokości pasów barkowych uprząży

Przed umieszczeniem dziecka w foteliku Maxi-Cosi Tobi i jego zapięciem ustal najpierw prawidłową wysokość pasów barkowych uprząży i zagłówka.


- 15 • Otwórz zamek uprząży fotelika (15) przyciskając czerwony przycisk na zamku.
- Pasy uprząży fotelika zostają teraz automatycznie zwolnione i możesz je przedłużyć bez użycia żadnego dodatkowego przycisku.
- 16 • Poluzuj pasy barkowe pociągając je jak najdalej do przodu.
- **UWAGA!** Nie ciągnij przy tym za ochraniacze pasów.
- 17 • Usadź dziecko w foteliku Maxi-Cosi Tobi i sprawdź (przy wyprostowanych plecach dziecka) wysokość pasów barkowych uprząży (17).


PL

- 18 • **UWAGA!** Wysokość pasów barkowych jest prawidłowa, gdy chowają się w skorupie fotelika nieco powyżej ramion dziecka (18).
- Wysokość pasów barkowych można regulować razem z wysokością zagłówka i za jego pomocą.
- 19 • Aby umieścić pasy barkowe i zagłówek na pożądanej wysokości, pociągnij do przodu za dźwignię znajdującą się u góry zagłówka i w zależności od potrzeby przesuwaj zagłówek w górę lub w dół (19). Pasy barkowe wraz z zagłówkiem można ustawić na sześciu różnych wysokościach.

B. Umieszczanie dziecka w foteliku Maxi-Cosi Tobi

- Usadź dziecko w foteliku Maxi-Cosi Tobi dbając by miało wyprostowane plecy.
- 20 • Złóż obie części klamry (nakładając część A na część B) i wepnij je w zamek przy słyszalnym odgłosie kliknięcia (20). Przez zamknięcie klamry system regulacji długości uprząży zostaje zablokowany i nie można ich już poluzować, ale można je jeszcze mocniej naciągnąć. Aby ewentualnie przedłużyć pasy trzeba najpierw otworzyć zamek.
- 21 22 • Ściągnij mocno pasy uprząży za pomocą pasa szybkiej regulacji (21,1). Ciągnij go dopóki wskaźnik znajdujący się na zamku uprząży nie stanie się całkowicie zielony (21,2). Jeśli wskaźnik jest nadal srebrny, pas należy naciągnąć mocniej (22). Przed rozpoczęciem jazdy sprawdź, czy wskaźnik jest zielony. Podczas jazdy, w wyniku ruchów dziecka, pas może się poluzować i wskaźnik zmieni kolor na srebrny. Jest to zjawisko normalne i nie ma wpływu na bezpieczeństwo dziecka.
- **UWAGA!** Im silniej napięte są pasy uprząży, którymi przytrzymywane jest Twoje dziecko, tym lepiej jest ono chronione.
- **UWAGA!** Sprawdź, czy ochraniacze pasów przylegają szorstką (antypoślizgową) stroną do ramion i piersi dziecka.
- **UWAGA!** Upewnij się, że pasy nie są skręcone lub podwójnie złożone.

 Zawsze stosuj ochraniacze pasów; są one ważne dla bezpieczeństwa dziecka.

 Wytlumacz dziecku, by nigdy nie bawiło się zamkami pasów uprząży i pasa bezpieczeństwa.

3.2. Pozycje fotelika (ustawianie fotelika w pozycji siedzącej i półleżącej)

Fotelik samochodowy Maxi-Cosi Tobi można ustawić w 5 pozycjach.

- 23 • Pociągnij do góry dźwignię regulacji znajdującą się pod przednią stroną fotelika i w zależności od potrzeby pociągnij fotelik do przodu lub popchnij go do tyłu (23).
- Zwolnij dźwignię regulacji w pożądanym położeniu i poruszaj fotelikiem aż do usłyszenia wyraźnego odgłosu kliknięcia.
- **UWAGA!** Sprawdź, czy fotelik Maxi-Cosi Tobi jest zablokowany w pożądanym położeniu pociągając za niego.

Lista kontrolna ...

Aby zapewnić dziecku optymalne bezpieczeństwo, sprawdź przed każdą jazdą czy:

- fotelik Maxi-Cosi Tobi jest bezpiecznie i stabilnie zamontowany w samochodzie,
- wysokość mocowania pasów barkowych uprząży jest odpowiednia dla Twojego dziecka,
- pasy nie są skręcone,
- szorstka (antypoślizgowa) powierzchnia ochraniaczy pasów barkowych leży płasko na ramionach i klatce piersiowej dziecka,
- dziecko jest bezpiecznie zapięte w pasy, klamra jest prawidłowo zapięta w zamku a wskaźnik napięcia pasów znajduje się na zielonym polu,
- pasy fotelika nie są zniszczone (jeśli są, pod żadnym pozorem nie używaj fotelika Maxi-Cosi Tobi i skontaktuj się z sprzedawcą lub importerem)

3.3. Wyjmowanie dziecka

- Umieść fotelik Maxi-Cosi Tobi w pozycji siedzącej (patrz także rozdział 3.2: Pozycje fotelika).
- 24** • Zwolnij klamrę pasa, naciskając czerwony przycisk zamka (24).
- 25** • Poluzuj pasy barkowe przyciągając je do siebie tak mocno jak jest to możliwe (25).
- Wyjmij dziecko z fotelika Maxi-Cosi Tobi.

4. KONSERWACJA

4.1 Ogólna

- **UWAGA!** Przeprowadzaj konserwację tylko po wyjęciu fotelika Maxi-Cosi Tobi z samochodu.
- Części plastikowe fotelika można myć ściereczką nasączoną ciepłą wodą z dodatkiem mydła. Nie należy stosować przy tym żadnych agresywnych środków czyszczących.
- Części z materiału należy czyścić zgodnie z instrukcją na metce. Prać ręcznie w ciepłej wodzie i łagodnym środkiem piorącym do delikatnych materiałów.
- **UWAGA! Nigdy** nie stosować smarów, także do ruchomych części fotelika Maxi-Cosi Tobi.

4.2 Tapicerka

Zdejmowanie tapicerki

- 24 25** • Otwórz klamrę. Poluzuj pasy barkowe przyciągając je do siebie tak mocno jak jest to możliwe (24, 25). Zdejmij gumowe pętelki z haczyków po obu stronach dźwigni regulacji kąta pochylecia fotelika.
- 26 27** • Zdejmij gumowany brzeg tapicerki z krawędzi skorupy fotelika i ściągnij następnie ostrożnie tapicerkę z przedniej strony fotelika (26, 27).
- Zdejmij ochraniacz pasa krokowego i zamka ciągnąc go ostrożnie - ukośnie w bok - przez zamek pasa. Przelóż tapicerkę przez zamek (od tyłu do przodu).
- 28** • Odczep tapicerkę od bocznych punktów mocowania po obu stronach skorupy fotelika (28).
- 29** • Odczep fałdę grzbietową tapicerki i przerzuć ją do przodu (29).
- 30** • Ostrożnie zdejmij tapicerkę z boków (30).
- 31** • Poluzuj tapicerkę w okolicach blokad barkowej części pasa. Tapicerka jest tu wsunięta pod blokadę pasa (31,1).
- 31** • Teraz ostrożnie przeciągnij tapicerkę ponad zagłówkiem (31,2).
- Zdejmij tapicerkę.
- 32** • Zdejmij ochraniacze pasów barkowych odczepiając rzepy i napy spinające obie ich części (32).
- 33** • Wyjmij pas zza fałdy ochraniacza z rzepami mocującymi (33).
- 34** • Wsuń hak sprzączki z pętli ochraniacza pasa (34).
- 35** • Zdejmij ochraniacz pasa ze sprężyny (35).
- Zrób to z obydwoma ochraniaczami pasów barkowych.
- Powtórz powyższe czynności z pominięciem pkt. 34 dla dwóch ochraniaczy pasów biodrowych. Ochraniacze pasów biodrowych są przymocowane do pasa za pomocą rzepów.
- 36** • Zdejmij tapicerkę zagłówka wyciągając dwie gumki dolnej fałdy znajdujące się pod częścią z materiału (36,1).
- Odczep w jednym punkcie tapicerkę zagłówka po jednej stronie i ostrożnie zdejmij tapicerkę po tej stronie zagłówka.
- Odczep ostrożnie tapicerkę zagłówka przy krawędzi u góry zagłówka pod dźwignią regulacji wysokości.
- 36** • Teraz ostrożnie zdejmij tapicerkę zagłówka (36,2).

Pranie tapicerki

- Tapicerkę i ochraniacze pasów należy prać ręcznie (maksymalnie w 30F C). Nie wkładać do suszarki. Sprawdź także instrukcję na metce tapicerki.

Wskazówki: Polecamy zakup dodatkowej tapicerki przy nabywaniu Maxi-Cosi Tobi, co umożliwi korzystanie z fotelika przez cały czas, nawet wówczas, gdy tapicerka jest w praniu lub suszeniu.

PL

Zakładanie tapicerki

- Przeprowadź opisane wyżej czynności w odwrotnej kolejności celem ponownego nałożenia tapicerki.
- **UWAGA!** Przed ponownym założeniem tapicerki zamocuj najpierw 4 ochraniacze pasów oraz tapicerkę zagłówka.
- Nałóż tapicerkę prawidłowo na wszystkie krawędzie skorupy fotelika.
- Sprawdź, czy tapicerka jest równomiernie napięta i czy jest prawidłowo założona.

4.3 Funkcjonowanie i czyszczenie zamka pasów i systemu regulacji pasów

Prawidłowe funkcjonowanie zamka pasów i systemu regulacji pasów jest bardzo ważne dla bezpieczeństwa dziecka. Najczęstszą przyczyną złego funkcjonowania zamka i/lub systemu regulacji jest zabrudzenie (kurz, brud, okruchy jedzenia itp.). Upewnij się, że zamek pasów jest czysty, usuwając wszelkie zabrudzenia za pomocą odkurzacza. Jeśli system regulacji pasa nie działa poprawnie, niezwłocznie skontaktuj się ze sprzedawcą lub importerem (kontakt podano na tylnej okładce instrukcji obsługi). Pod żadnym pozorem nie korzystaj wtedy z fotelika Maxi-Cosi Tobi!

Poniżej znajduje się lista możliwych defektów funkcjonowania, ich przyczyn i możliwych sposobów ich rozwiązania.

A. Niewłaściwe funkcjonowanie zamka pasów

- Podczas otwierania zamka elementy klamry wysuwają się wolno.
- Zamek pasów można otworzyć tylko przy użyciu dużej siły.
- Trudno jest wpiąć elementy klamry do zamka (zbyt duży opór).
- Elementy klamry nie pozostają zapięte w zamku pasów na stałe i natychmiast się odpinają.
- Nie słychać kliknięcia podczas wpinania elementów klamry do zamka.

B. Rozwiązanie ewentualnych zakłóceń działania klamry

- Sprawdź, czy klamra nie jest zabrudzona i w razie potrzeby oczyść ją przez wytrzenięcie, wypłukanie, wydmuchanie lub odkurzenie za pomocą np. odkurzacza.
- **UWAGA! Nigdy nie stosuj smarów!**

Jeśli nie jesteś w stanie zapiąć zamka, lub nie jesteś pewny, czy rozwiązałeś problem prawidłowo, natychmiast skontaktuj się ze sprzedawcą lub importerem (adres i telefon na okładce instrukcji). Pod żadnym pozorem nie używaj w takim wypadku fotelika Maxi-Cosi Tobi.

5. INSTRUKCJE OGÓLNE**Zawsze zwracaj szczególną uwagę na następujące zagadnienia:**

- Zawsze korzystaj z fotelika, nawet w czasie krótkiej jazdy niedaleko od domu, ponieważ wówczas właśnie dochodzi do większości wypadków.
- Korzystaj z fotelika Maxi-Cosi Tobi tylko w samochodzie, nie używaj go w domu. Fotelik samochodowy nie jest przeznaczony do użytku domowego.
- Fotelik Maxi-Cosi Tobi można montować zarówno na przednim, jak i na tylnym siedzeniu — nawet jeśli samochód jest wyposażony w poduszkę powietrzną! Niemniej zalecamy instalację fotelika na tylnym siedzeniu. Jeśli to niemożliwe i jeśli montujesz fotelik na przednim siedzeniu w samochodzie wyposażonym w poduszkę powietrzną, upewnij się, że siedzenie jest maksymalnie odsunięte do tyłu. Zajrzyj do instrukcji obsługi samochodu, ponieważ w coraz większej liczbie samochodów jest możliwe wyłączenie poduszki powietrznej.
- Fotelik zawsze musi być zabezpieczony samochodowym pasem bezpieczeństwa, nawet, jeśli nie jest w użyciu. Niezabezpieczony fotelik może zranić pasażera podczas nagłego hamowania lub zderzenia.
- Upewnij się, że fotelik Maxi-Cosi Tobi nie jest zaklinowany przez regulowane siedzenie, przytrzaśnięty drzwiami lub przeciążony przez ciężki bagaż.

- Nigdy nie używaj fotelika Maxi-Cosi Tobi bez tapicerki. Nie korzystaj z innej tapicerki niż oryginalna, dostarczona przez producenta. Tapicerka ma wpływ na ogólne bezpieczeństwo dziecka.
- Jeśli parkujesz samochód w słońcu, zasłoń fotelik Maxi-Cosi Tobi. Elementy plastikowe lub metalowe mogą się bardzo nagrzać, może doprowadzić to do powstania oparzeń i niepotrzebnego wyblaknięcia tapicerki.
- Aby uniknąć uszkodzenia tkaniny nie usuwaj znaczków z logo z tapicerki.
- Upewnij się, że cały bagaż i przedmioty, które mogłyby zranić pasażera w czasie wypadku (np. na półce z tyłu samochodu) są odpowiednio zabezpieczone. Podczas hamowania awaryjnego lub zderzenia są one niezwykle niebezpieczne!
- Podczas dłuższych podróży rób krótkie przerwy, aby umożliwić dziecku troszeczkę swobody ruchów.
- **Nigdy** nie zostawiaj dziecka w samochodzie bez opieki.
- Zachowaj instrukcję na przyszłość przechowując ją w przeznaczonym do tego celu schowku z tyłu fotelika Maxi-Cosi Tobi.
- Nigdy nie kupuj produktów z drugiej ręki, ponieważ nie wiesz do końca, co się z nimi dzieło. Producent gwarantuje bezpieczeństwo fotelika tylko pierwszemu użytkownikowi.
- Nie dokonuj jakichkolwiek modyfikacji fotelika samochodowego dla dzieci oraz pasów. Pod żadnym pozorem nie usuwaj naklejek lub ostrzeżeń wchodzących w skład fotelika!
- Zawsze wymień Maxi-Cosi Tobi na nowy, jeśli brał udział w wypadku. Fotelik mógł stać się niebezpieczny z powodu uszkodzeń, które nie są dostrzegalne gołym okiem.
- Producent ma świadomość, iż foteliki mogą zostawiać wgniecenia w tapicerce samochodowej lub w pasach samochodowych. Jest to nieuniknione ze względu na zalecane przez standardy bezpieczeństwa ciasne mocowanie fotelika wymagane dla optymalnej ochrony dziecka. Producent nie ponosi odpowiedzialności za ewentualne powstałe przez to uszkodzenia.

I odczywiście ...

- Należy dawać dobry przykład i zawsze zapinać swój pas bezpieczeństwa!

6. SEGREGOWANIE ODPADÓW

Aby skutecznie i bezpiecznie korzystać z fotelików samochodowych, nie należy eksploatować ich dłużej niż 5 lat od daty zakupu. Powolne starzenie się plastiku (np. w związku z działaniem promieni słonecznych) może skutkować niezauważalnym obniżeniem jakości produktu.

Kiedy dziecko wyrośnie z fotelika, sugerujemy zaprzestanie jego używania i utylizację.


Z uwagi na ochronę środowiska, prosimy o segregację odpadów od samego początku (opakowanie fotelika) aż do końca użytkowania fotelika Maxi-Cosi Tobi (złomowanie części produktu).



Trzymaj opakowania plastikowe z dala od dzieci, aby uniknąć niebezpieczeństwa uduszenia.

Opakowanie	Pudełko kartonowe	Makulatura
	Torebka plastikowa	Odpady gosp. domowego
Elementy produktu	Tapicerka tekstylna	Odpady gosp. domowego
	Części plastikowe	Odpowiedni kontener w zależności od rodzaju plastiku
	Części metalowe	Kontener na metal
	Taśmy pasów	Kontener na poliester
	Klamra pasa	Odpady gosp. domowego

7. NASTĘPNY FOTELIK

Rodzaj fotelika	Homologacja zgodnie z regulaminem ECE R44/04		
	Grupa	Waga dziecka	Wiek
 Maxi-Cosi Rodi XR	2 + 3	15 do 36 kg	Ok.3,5 do ok.12 lat

8. GWARANCJA

Gwarantujemy, że niniejszy wyrób wyprodukowano zgodnie z aktualnymi europejskimi normami bezpieczeństwa oraz wymaganiami dotyczącymi jakości, stosowanymi w odniesieniu do tego produktu. Gwarantujemy również, że produkt w momencie zakupu przez sprzedawcę detalicznego jest wolny od wad materiałowych i wykonawczych. Podczas procesu produkcji wyrób poddano różnym testom jakości. Jeśli, pomimo naszych wysiłków, produkt okaże się wadliwy pod względem materiałowym lub wykonawczym w trakcie 24-miesięcznego okresu gwarancji (o ile będzie użytkowany w sposób normalny, zgodnie z instrukcją obsługi), zobowiązujemy się do przestrzegania warunków gwarancji. W takim przypadku prosimy, skontaktuj się ze swoim sprzedawcą. Szczegółowe informacje na temat warunków obowiązywania gwarancji dostępne są u sprzedawcy lub na stronie internetowej: www.maxi-cosi.com.

Gwarancja nie jest ważna w następujących przypadkach:

- W przypadku użytkowania w sposób inny lub w innym celu niż opisano w instrukcji obsługi.
- Jeśli wyrób został przekazany do naprawy przez dealera nieautoryzowanego przez nas.
- Jeśli produkt dostarczono do producenta bez oryginalnego dowodu zakupu (za pośrednictwem sprzedawcy i/lub importera).
- Jeśli napraw dokonała strona trzecia lub dealer nieautoryzowany przez nas.
- Jeśli wada jest wynikiem nieprawidłowego lub nieuważnego użytkowania bądź konserwacji, lub zniszczenia tapicerki i/lub ramy na skutek uderzenia albo niedbalstwa.
- Jeśli części wykazują oznaki normalnego zużycia eksploatacyjnego, którego można oczekiwać w wyniku codziennego użytkowania wyrobu (koła, obracające się i ruchome części itp.)

Data wejścia w życie:

Gwarancja wchodzi w życie w dniu zakupu produktu.

Okres obowiązywania gwarancji:

Gwarancja obowiązuje przez okres 24 kolejnych miesięcy. Gwarancja dotyczy wyłącznie pierwszego właściciela i jest nieprzenoszalna.

Postępowanie w przypadku wystąpienia wad:

Należy zachować rachunek za zakupiony wyrób. Na rachunku musi być wyraźnie widoczna data zakupu. W przypadku wystąpienia wad lub innych problemów należy skontaktować się ze sprzedawcą. Nie można zażądać wymiany lub przyjęcia zwrotu produktu. Naprawy nie dają prawa do przedłużenia gwarancji. Produkty zwrócone bezpośrednio do producenta nie podlegają gwarancji.

Niniejsza klauzula gwarancyjna jest zgodna z dyrektywą europejską 99/44/WE z dnia 25 maja 1999 roku.

PL

9. PYTANIA

Jeśli masz jakiegokolwiek pytania, zadzwoń do twojego sprzedawcy lub importera (zobacz z tyłu instrukcji obsługi). Podczas rozmowy należy mieć przygotowane następujące dane:

- Numer seryjny umieszczony na dole biało-pomarańczowej naklejki (z tyłu Maxi-Cosi Tobi).
- Marka i typ samochodu oraz siedzenia, na którym jest zainstalowany Maxi-Cosi Tobi.
- Wiek, wzrost i waga dziecka.

Kedves Szülők!

Köszönjük, hogy a Maxi-Cosi Tobi gyermekülést választották.

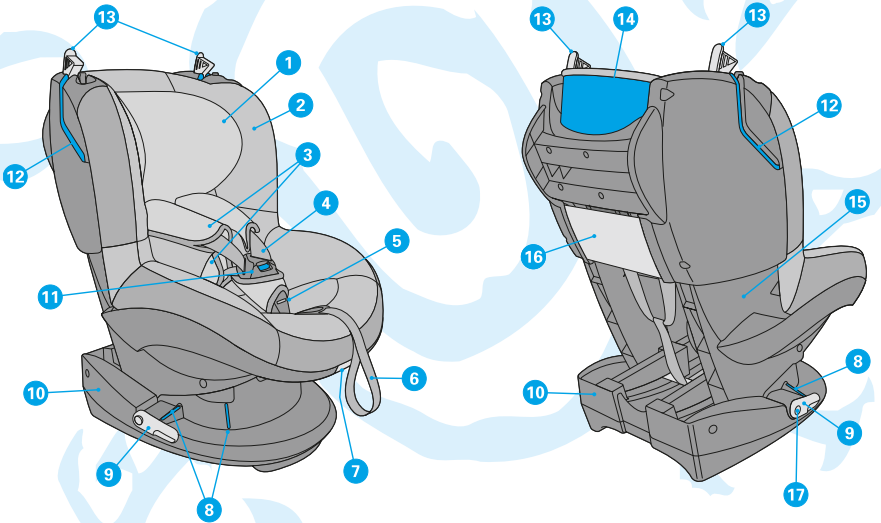
A Maxi-Cosi Tobi kifejlesztésekor kiemelkedő szerephez jutott a biztonság, a kényelem, a felhasználóbarát kialakítás és a formatervezés. A termék a legszigorúbb biztonsági előírásoknak is megfelel.

HU

Vizsgálatok kimutatták, hogy számos autós gyermekülést nem használnak megfelelően. Ezért mindig fordítson elegendő időt a használati utasítás alapos áttanulmányozására. Csak abban az esetben garantálható gyermeke optimális biztonsága, ha a terméket az utasításoknak megfelelően használja.

Termékfejlesztő és marketing csoportunk folyamatos kutatómunkája, ezen belül a termékvizsgáló intézetekkel való szoros együttműködés, valamint a felhasználókkal és a vásárlókkal történő rendszeres egyeztetés biztosítja vezető helyünket a gyermekek gépkocsiban való biztonságos szállítása terén. Ha kérdései vagy észrevételei vannak a Maxi-Cosi Tobi gyermekülés használatával kapcsolatban, kérjük, forduljon hozzánk bizalommal.

Dorel (a címet és telefonszámot a használati utasítás hátoldalán találja).



1. Fejtámla
2. Huzat
3. Övpárna
4. Vállövek - övrendszer
5. Az övfeszesség mutatója
6. Az övrendszer állító szalagja
7. Az ülés állító karja
8. Piros jelzés a gépkocsi öv csípőrészéhez
9. Gépkocsi biztonsági öv rögzítő(k)

10. Váz
11. Övcsat
12. Piros vezeték a gépkocsi öv vállrészéhez
13. Övszorító a gépkocsi övéhez
14. Piros jelzés a gépkocsi öv vállrészéhez
15. Ülész
16. A használati utasítás rekesze
17. A gépkocsi biztonsági öv rögzítő(k) kioldó gombja

KÜLÖNLEGES TULAJDONSÁGOK

A nem megfelelő használat kockázatának csökkentése és a használat megkönnyítése érdekében Maxi-Cosi Tobi-t az alábbi rendkívüli tulajdonságokkal ruháztuk fel:

- Olyan övrendszer, mely magától „kipattan”, amint kinyitják az övzárát.
- Mutató az övcsaton, melynek színe jelzi, hogy az öveket kellőképpen szorosan állították-e be.
- Egy olyan övcsat, mely egyben az övrendszer kezelőgombjaként is szolgál; azaz ha a csat nyitva van, automatikusan kienged a vállövek rögzítése, és az öveket meg lehet hosszabbítani. Ha a csat zárva van, a vállövek addig húzhatók meg, amíg a mutató „ZÖLD” jelzést nem mutat. Nincs szükség további gombok használatára!

TARTALOM

1.	FONTOS: KÉRJÜK, OLVASSA EL!	27
2.	MAXI-COSI TOBI BESZERELÉSE ÉS KIVÉTELE	28
3.	A GYERMEK ELHELYEZÉSE A MAXI-COSI TOBI-BAN	29
3.1	AZ ÖVRENDSZER HASZNÁLATA	29
3.2	HASZNÁLATI ÁLLÁSOK (AZ ÜLÉS ÁTÁLLÍTÁSA ÜLŐBŐL FEKVŐ HELYZETBE)	30
3.3	A GYERMEK KIVÉTELE	30
4.	KARBANTARTÁS	30
4.1	Általános	30
4.2	Huzat	31
4.3	Az övcsat működése és tisztítása	31
5.	ÁLTALÁNOS UTASÍTÁSOK	32
6.	SZELEKTÍV HULLADÉKKEZELÉS	33
7.	GYERMEKÜLÉSEK	33
8.	GARANCIA	33
9.	KÉRDÉSEK	34

1. FONTOS INFORMÁCIÓ: KÉRJÜK, OLVASSA EL!

Kérjük, gondosan olvassa el és őrizze meg a használati utasítást. A használati utasítástól eltérő alkalmazás gyermeke biztonságát súlyosan veszélyeztetheti.



Csak a gyártó által engedélyezett eredeti kiegészítőket és alkatrészeket használjon. A terméken ne végezzen módosításokat. Panasza vagy probléma esetén értesítse az eladót vagy az importőrt.

	ECE R44/04 megfelelés		
	Csoport	A gyermek testsúlya	A gyermek életkora
Maxi-Cosi Tobi	1	9 - 18 kg	9 hónap – 3,5 év

2. A MAXI-COSI TOBI BESZERELÉSE ÉS KIVÉTELE

Beszereles 3-pontos rögzítésű biztonsági övvel (kövesse a termék piros színjelzését).



A Maxi-Cosi Tobi-t kizárólag olyan előre néző ülésen használja, amelyet automata 3-pontos rögzítésű biztonsági övvel láttak el, és amelyet jóváhagytak az ECE R16, vagy egy azzal hasonló előírásokat tartalmazó szabvány szerint.



A biztonsági öv helyes vezetése elemi fontosságú gyermeke biztonsága érdekében. A biztonsági övnek a megfelelő sorrendben kell elhaladnia a Maxi-Cosi Tobi piros jelzései mentén, (lásd ezzel kapcsolatban a Maxi-Cosi Tobi oldalán található matricát). **Soha ne vezesse az övet a leírástól eltérően!**



Ha útban van, távolítsa el annak az ülésnek a fejtámláját, amelyiken a Maxi-Cosi Tobi-t használja a gépkocsiban. Ne feledje el visszatenni a fejtámlát ha az ülést ismét felnőtt utas használja.

A. Beszerelés

- **FIGYELEM!** A Maxi-Cosi Tobi beszerelése előtt rögzítse a gépkocsi lehajtható hátsó ülését.
- **FIGYELEM!** Némelyik ülésen a biztonsági öv annyira elől van felszerelve, hogy az ülés megfelelő beszerelése nem lehetséges. Próbálkozzon ekkor az autó másik ülésével.
- 1 • **FIGYELEM!** Gondoskodjon róla, hogy a gyermekülés beszerelése előtt a gépkocsi övcsatok a megfelelő állásban legyenek, ehhez nyomja meg a kioldó gombot (1). A gépkocsi övszorítóinak vízszintesen kell állniuk.
- 2 • **FIGYELEM!** Gondoskodjon róla, hogy mind a két gépkocsi övcsat nyitva legyen (2).
- Tegye a Maxi-Cosi Tobi-t a gépkocsi ülésére.
- 3 4 • Vezesse el a biztonsági övet a Maxi-Cosi Tobi övfeszítői mentén és keresztül (4). Ügyeljen rá, hogy a csípőöv az ülés alatt a piros jelzéseken **keresztül** haladjon (3,1).
- 3 • Csatolja be a gépkocsi biztonsági övét (3,2).
- 5 • **FIGYELEM!** Előfordulhat az is, hogy a gépkocsi biztonsági övének csatja túl hosszú, így túl magasan ér a Maxi-Cosi Tobi vázához. Ekkor a Maxi-Cosi Tobi nem rögzíthető elég stabilan. Emiatt akár el is törhet a csat! Ekkor válasszon egy másik ülést az autóban (5).
- 6 • Csúsztassa a gépkocsi biztonsági övét az autó övcsatja felőli oldalon a háttámla piros övrésén keresztül (6).
- 7 • Vezesse a vállövet a vállövet jelző piros jelzés mentén a Maxi-Cosi Tobi **hátsóján** keresztül (7,1).
- 7 • Csúsztassa ezt ismét kívülre a második piros övrésén keresztül (7,2).
- 8 • Nyomja erősen a Maxi-Cosi Tobi-t a gépkocsi ülésébe (8,1) és eközben olyan szorosan húzza meg a vállövet (8,2). A Maxi-Cosi Tobi most biztonságosan a helyére került az autóban. Ellenőrizze ismételten!
- 9 • Az övrögzítőt először az övcsat felőli, majd a másik oldalon, a felcsévéző automata irányába zárja le (9).
- 10 • Végül feszítse meg a gépkocsi biztonsági övét úgy, hogy az övszorítót negyed fordulattal felfelé csavarja függőleges állásba (10). A biztonsági öv ekkor még szorosabban feszül meg!
- Ekkor sokszor megtörik a csípőöv. Ez azonban a megfelelő beszerelés következménye és nem jelent veszélyt gyermekére!
- **MEGJEGYZ S!** Ellenőrizze, hogy az ülés felső részén lévő mindkét övcsat zárva legyen.
- **MEGJEGYZ S!** Ügyeljen rá, hogy az autó biztonsági öve ne csavarodjon.

- Amikor a gépkocsi biztonsági övét jól állította be, a különböző irányokból ez így látható:



HU

Ellenőrizze ...

Az ülés beszerelése után gyermeke optimális biztonsága érdekében ellenőrizze még egyszer, hogy ...

- a gépkocsi biztonsági öve feszes és nincs megcsavarodva,
- a biztonsági öv csipőrése a piros övjelzéseken és övfeszítőkön keresztül halad,
- a gépkocsi biztonsági öv (átlós) vállrésze jól van felhelyezve és mindkét övnyíláson át, a Maxi-Cosi Tobi hátulján, a piros jelzések mentén halad,
- mindkét övszorító zárva van,
- a gépkocsi övszorítója megfeszül és függőlegesen áll,
- a Maxi-Cosi Tobi teljes egészében stabilan és rögzítve áll a gépkocsiban.

B. A Maxi-Cosi Tobi kivétele

- 11 • Nyissa ki a gépkocsi biztonsági öv csatját (11).
- 12 • Ezután nyissa ki mindkét övcsatot (12).
- 13 • A gomb megnyomásával lazítsa ki a gépkocsi biztonsági öv szorítóit (13). Az övszorító ekkor lecsapódik vízszintes állásba.
- 14 • Vegye ki a gépkocsi övét az övvezetőkől (14).
- Vegye ki a Maxi-Cosi Tobi-t az autóból.

3. A GYERMEK ELHELYEZÉSE A MAXI-COSI TOBI-BAN

3.1 Az övrendszer használata

A. Az övrendszer magasságának beállítása

Gyermeke Maxi-Cosi Tobi-ba helyezése és az övrendszer becsatolása előtt határozza meg a vállövek és a fejtámla megfelelő magasságát.

- 15 • Az övcsat piros gombjának megnyomásával nyissa ki az övcsatot (15).
- A vállövek ekkor automatikusan kiengednek és további gombok használata nélkül meghosszabbíthatók.
- 16 • Lazítsa meg a vállöveket **úgy, amennyire** csak lehet, előre **húzva** azokat (16).
- **FIGYELEM!** Ennek során ne húzza az övvédőket.
- 17 • A gyermeket egyenes háttal helyezze a Maxi-Cosi Tobi-ba és ellenőrizze az öv magasságát (17).
- 18 • **FIGYELEM!** A vállövek magassága akkor jó, ha azok valamivel a gyermek válla fölött érnek az ülésbe (18).
- A vállövek magassága a fejtámlával együtt és annak segítségével állítható be.
- 19 • Hogy a vállöveket és a fejtámlát a kívánt magasságba állítsa, húzza a fejtámlát a fenti fogónál fogva egyszerre előre és felfelé vagy lefelé (19). A vállöv a fejtámlával együtt 6 különböző magasságba állítható.

B. A gyermek elhelyezése a Maxi-Cosi Tobi-ban

- Ültesse gyermekét egyenes háttal a Maxi-Cosi Tobi-ba.
- 20** • Tegye egymásra a csat részeit (az A részt a B részre) és csúsztassa ezeket az övcsatba addig, amíg egyértelmű kattantást hall. (20). A csat bezárása rögzíti az övrendszert, melyen ekkor már csak szorítani lehet. Az övek kilazításához először újra ki kell csatolni az övrendszert.
- 21 22** • Húzza szorosra az övrendszert az állító szalagnál fogva (21,1). Addig húzza, amíg az övcsat mutatója zöld színt jelez (21,2). Ha még mindig ezüst színű, az övet szorosabbra kell húzni (22). Vezetés előtt győződjön meg róla, hogy a jelzés zöld. Vezetés közben előfordulhat, hogy a jelzés visszavált ezüstre a gyermek mozgása következtében. Ez normális, és nem befolyásolja a gyermek biztonságát.
- **FIGYELEM!** Minél szorosabban fogja az öv a gyermeket, annál nagyobb védelmet biztosít.
- **FIGYELEM!** Ügyeljen rá, hogy az övvédők a csúszásgátló oldalukkal érjenek a gyermek vállához és melléhez.
- **MEGJEGYZÉS!** Ügyeljen rá, hogy az övek ne csavarodjanak vagy gyűrődjenek.



Mindig használja az övvédőket, ezek fontosak gyermeke biztonsága érdekében.



Gyermekeének magyarázza el, hogy tilos a csattal játszania.

3.2 Használati állások (az ülés átállítása ülőből fekvő helyzetbe)

A Maxi-Cosi Tobi 5 pozícióba állítható.

- 23** • Nyomja felfelé az ülés eleje alatt található kart és húzza vagy tolja az ülést előre vagy hátra (23).
- A kívánt állásban engedje el az állító kart és tolja addig, amíg egyértelmű kattantást hall.
- **FIGYELEM!** Meghúzza ellenőrizze, hogy a Maxi-Cosi Tobi rögzítve van a kívánt állásban.

Ellenőrizze...

Gyermeke optimális biztonsága érdekében minden út előtt ellenőrizze még egyszer, hogy ...

- az egész Maxi-Cosi Tobi stabilan van-e beszerelve a gépkocsiba,
- a vállövek magassága megfelelő-e,
- az övek nem csavarodtak-e meg,
- az övvédők a csúszásgátló oldalukkal érnek-e a gyermek vállához és melléhez,
- a gyermek biztonságosan ül-e az övrendszerben és a mutató zöldet jelez,
- a Maxi-Cosi Tobi öve nem sérült-e meg. Amennyiben megsérült volna, semmiképpen ne használja a Maxi-Cosi Tobi-t és azonnal értesítse a termék eladóját vagy importőrjét.

3.3 A gyermek kivétele

- Állítsa a Maxi-Cosi Tobi-t ülő állásba (lásd a 3.2 fejezetet: Használati állások).
- 24** • Nyissa ki az övcsatot a csat piros gombjának megnyomásával (24).
- 25** • Lazítsa meg a vállöveket úgy, hogy azokat amennyire csak lehet, előre húzza (25).
- Vegye ki a gyermeket a Maxi-Cosi Tobi-ból.

4. KARBANTARTÁS**4.1 Általános**

- **FIGYELEM!** Ezeket a műveleteket csak akkor végezze, amikor a Maxi-Cosi Tobi nincs az autóban.
- Az ülés műanyag részét langyos vízzel, szappannal és tölrlökendővel mossa le. Ne használjon erős szereket.
- A textil részeket a mosási utasítás szerint tisztítsa; kézzel mosva, finommosószert tartalmazó langyos vízben.
- **FIGYELEM!** Sohase használjon kenőolajat, még a Maxi-Cosi Tobi mozgó részeinél sem.

4.2 Huzat

A huzat eltávolítása

- 24 25** • Nyissa ki az övcsatot. Lazítsa ki a vállöveket azok maximális előre húzásával (24, 25). Akassza le a gumi hurkokat az állító kar két oldalán levő kampókról.
- 26 27** • Húzza le a huzat műanyag peremét az ülés széleiről, majd óvatosan lazítsa meg elől a huzatot (26, 27).
• Óvatosan távolítsa el az övvédőt úgy, hogy azt részsütosan oldalra áthúzza az övcsaton. Vegye le a huzatot az övcsatról (hátról előre).
- 28** • Vegye le a huzatot az ülés két oldalán levő pontokról. (28).
- 29** • Lazítsa meg a huzat hátsó részét és hajtsa előre (29).
- 30** • Óvatosan távolítsa el a huzatot az oldalakról (30).
- 31** • Oldja ki a huzatot az övszorítók mögött. A huzat itt az övszorítók mögé van becsúsztatva (31,1).
- 31** • Most óvatosan húzza át a huzatot a fejtámlán (31,2).
• Távolítsa el a huzatot.
- 32** • Vegye le az övvédőket a vállövekről úgy, hogy a külső oldalon kinyitja a tépőzárakat és a patentokat (32).
- 33** • Vegye ki a hátrész mögött az övet a tépőzárral (33).
- 34** • Húzza ki a csatot az övvédő hurkából (34).
- 35** • Vegye le az övvédőt a rugóról (35).
• Végezze ezt el mind a két övvédővel.
• A csat kivételével ismételje meg a fenti lépéseket a két csípő-övvédőnél is. A csípő-övvédők tépőzárral vannak az övre rögzítve.
- 36** • A fejtámla huzatát távolítsa el az alsó rész két gumijának kivételével a műanyag rész alól (36,1).
• Lazítsa ki a fejtámla huzatját valamelyik oldalon egy ponton, és óvatosan vegye le ezen az oldalon a huzatot a fejtámláról.
• Óvatosan emelje ki a fejtámla huzatját a fejtámla feletti fogó alatt található részből.
- 36** • Most óvatosan távolítsa el a fejtámla huzatját (36,2).

A huzat tisztítása

- A huzatot és az övvédőket kézzel kell mosni, maximum 30° C-os hőmérsékleten. Ne használjon szárítógépet (lásd még a huzaton található mosási utasítást is.)

Tanács: Javasoljuk, hogy már a Maxi-Cosi Tobi vásárlásakor vegyen egy póthuzatot, hogy az ülést akkor is használhassa, ha a huzat szennyes.

A huzat visszahelyezése

- A huzat visszahelyezéséhez a fent leírt lépéseket fordított sorrendben hajtsa végre!
- **FIGYELEM!** A huzat visszahelyezése előtt először a 4 övvédőt és a fejtámla huzatát tegye a helyére.
- Mindenütt alaposan turrje be a huzatot az ülés szélein lévő résekbe.
- Ellenőrizze, hogy a huzat mindenütt megfelelően feszes és a helyén van-e.

4.3 Az övcsat és övbeállító rendszer működése és tisztítása

Az övcsat és az öv beállító rendszerének megfelelő működése nagyon fontos gyermeke biztonsága érdekében. Az övcsat és/vagy a beállító rendszer nem megfelelő működésének leggyakoribb oka az, hogy piszkos (a por, szennyeződések, étel stb. következtében). Tartsa tisztán az övcsatot, porszívóval eltávolítsa a szennyeződések. Ha az öv beállító rendszere nem működik megfelelően, azonnal forduljon a kereskedőhöz vagy importőrhez (az elérhetőségeket lásd a használati utasítás hátlapján). Ebben az esetben semmilyen körülmények között ne használja a Maxi-Cosi Tobi-t!

Az alábbi lista a meghibásodások lehetséges okait és azok lehetséges megoldásait sorolja fel.

A. Az övcsat meghibásodása

- A csatrészek az övcsat kinyitásakor késve ugranak ki a helyükről.
- Az övcsat csak rángatásra nyílik ki.
- A csatrészek nem kattannak be könnyedén az övcsatba (nagy az ellenállás).
- A csatot nem lehet bezárni, a csatrészek visszacsúsznak.
- Az övcsat zárásakor nem hallatszik egyértelmű kattanas.

B. A csat esetleges működési zavarainak megoldása

- Ellenőrizze, hogy a csat nem szennyezett-e, ha szükséges tisztítsa ki, ütögesse ki a lerakódást, öblítse, fújja vagy porszívózza ki.
- **FIGYELEM!** Soha ne használjon olajat!

Ha nem sikerül az övcsatot megfelelően bezárni, vagy nem biztos benne, hogy a működési hibát sikerült megoldania, azonnal keresse meg a termék eladóját vagy importőrért (lásd a használati utasítás hátsó oldalán). A Maxi-Cosi Tobi-t ekkor semmi esetre sem használja!

5. ÁLTALÁNOS UTASÍTÁSOK**Mindig figyeljen oda a következőkre...**

- Mindig használja az autósülést, még rövid távolságokra is, hiszen a legtöbb baleset olyankor történik.
- A Maxi-Cosi Tobi-t kizárólag a gépkocsiban használja, a lakásban ne. A gyermeküléseket nem otthoni használatra tervezték.
- A Maxi-Cosi Tobi az elülső és a hátsó ülésen is használható. Még akkor is, ha az autó rendelkezik légszékkel! Mindazonáltal javasoljuk, hogy a hátsó ülésre szerelje fel. Ha ez nem lehetséges, és légszékkel ellátott elülső ülésre szereli fel, állítsa az ülést a leghátsó pozícióba. Nézzon utána a vonatkozó részeknek az autó kézikönyvében, mivel a légszék egyre több autóban könnyedén kikapcsolható.
- A gyermekülést mindig rögzíteni kell a gépkocsiban, akkor is, ha nincs benne a gyermek. A nem rögzített ülés vészfékezés esetén a többi utas sérülését okozhatja.
- Ügyeljen arra, hogy a Maxi-Cosi Tobi ne szoruljon be, vagy akadjon be nehéz csomagok, az állítható ülés, vagy a becsukódó ajtó közé.
- A Maxi-Cosi Tobi-t nem szabad a huzata nélkül használni. Használjon mindig eredeti huzatot, mert az hozzájárul az ülés biztonságához.
- Mindig takarja le a Maxi-Cosi Tobi ülést, ha a gépkocsi a napon áll, ugyanis a műanyag és a fém részek felforrósodhatnak és megégethetik a gyermeket. Ezenkívül a huzat el is színeződhet.
- A huzaton levő emblémát és utasításokat ne távolítsa el, mert ez megrongálhatja a huzatot.
- Ügyeljen rá, hogy a gépkocsiban ne legyenek rögzítetlen csomagok vagy egyéb tárgyak (például a kalaptartón). Ezek vészmegállás vagy ütközés esetén életveszélyes sérülést okozhatnak!
- Hosszabb úton álljon meg rendszeresen, hogy a gyermek eleget mozoghasson.
- **Soha ne** hagyja gyermekét egyedül az autóban.
- Az ülés jövőbeni használata szempontjából fontos, hogy a használati utasítás legyen mindig kéznél, tartsa azt a Maxi-Cosi Tobi hátoldalán, az erre kialakított rekeszben.
- Ne alkalmazzon használt terméket. Ekkor ugyanis nem tudhatja, mi történt az üléssel az előző tulajdonos általi használat során. A gyártó csak abban az esetben garantálja az ülés biztonságát, ha azt az első tulajdonos használja.
- Sem a gyermekülésen, sem a biztonsági öveken nem végezhet módosításokat a felhasználó. Az ülés részét képező címkéket és figyelmeztetéseket is tilos eltávolítani!
- Baleset után mindenképpen cserélje ki a Maxi-Cosi Tobi-t; az ülés egy közvetlenül nem látható sérülés miatt is veszélyessé válhat.
- A gyártó tisztában van vele, hogy a gyermekülés benyomódásokat okozhat a gépkocsi ülésében és/vagy a biztonsági övén. Ez elkerülhetetlen a kötelező biztonsági normák azon előírásai miatt, melyek az autós gyermekülés szilárd rögzítésére vonatkoznak (a termék gyártója ezért nem tehető felelőssé az ebből következő kárért).

És ami magától értődik...

- Járjon elől jó példával, és mindig használja a biztonsági övet saját ülésén is!

6. SZELEKTÍV HULLADÉKKEZELÉS

A gyermekülés hatékony és biztonságos alkalmazása érdekében nem ajánlott azt a vásárlás időpontjától számított 5 évnél hosszabb ideig használni. A műanyag alkatrészek előregedése (például napfény (UV) következtében) a termék minőségének szemmel nem látható romlását eredményezheti. Ha a gyermeke kinőtte az ülést, ne használja azt tovább, hanem távolítsa el és kezelje hulladékként. Környezetvédelmi megfontolásokból kérjük, hogy a Maxi-Cosi Tobi használatának kezdetén (csomagolás) és annak végén (termékrészek) végezze el a hulladék szelektív különválasztását.


HU



A műanyag csomagolóanyagokat tartsa távol a gyermekektől a fulladás veszélyének elkerülése érdekében.

Csomagolás	Kartondoboz	Papírhulladék
	Műanyag zacskó	Háztartási hulladék
A termék részei	Textilhuzat	Háztartási hulladék
	Műanyag alkatórészek	Megfelelő újrahasznosításra szánt tároló
	Fém alkatrészek	Fémek tárolására szolgáló konténer
	Övszorító	Poliészter tárolására szolgáló konténer
	Biztonsági öv zárja	Háztartási hulladék

7. GYERMEKÜLÉSEK

A gyermekülés típusa	ECE R44/04 megfelelés		
	Csoport	A gyermek testsúlya	A gyermek életkora
 Maxi-Cosi Rodi XR	2 + 3	15-36 kg	3,5-12 év

8. GARANCIA

Gwarantujemy, że niniejszy wyrób wyprodukowano zgodnie z aktualnymi europejskimi normami bezpieczeństwa oraz wymaganiami dotyczącymi jakości, stosowanymi w odniesieniu do tego produktu. Gwarantujemy również, że produkt w momencie zakupu przez sprzedawcę detalicznego jest wolny od wad materiałowych i wykonawczych. Podczas procesu produkcji wyrób poddano różnym testom jakości. Jeśli, pomimo naszych wysiłków, produkt okaże się wadliwy pod względem materiałowym lub wykonawczym w trakcie 24-miesięcznego okresu gwarancji (o ile będzie użytkowany w sposób normalny, zgodnie z instrukcją obsługi), zobowiązujemy się do przestrzegania warunków gwarancji. W takim przypadku prosimy, skontaktuj się ze swoim sprzedawcą. Szczegółowe informacje na temat warunków obowiązywania gwarancji dostępne są u sprzedawcy lub na stronie internetowej: www.maxi-cosi.com.

Garancia

HU

Gwarancja nie jest ważna w następujących przypadkach:

- W przypadku użytkowania w sposób inny lub w innym celu niż opisano w instrukcji obsługi.
- Jeśli wyrób został przekazany do naprawy przez dealera nieautoryzowanego przez nas.
- Jeśli produkt dostarczono do producenta bez oryginalnego dowodu zakupu (za pośrednictwem sprzedawcy i/lub importera).
- Jeśli napraw dokonała strona trzecia lub dealer nieautoryzowany przez nas.
- Jeśli wada jest wynikiem nieprawidłowego lub nieuważnego użytkowania bądź konserwacji, lub zniszczenia tapicerki i/lub ramy na skutek uderzenia albo niedbalstwa.
- Jeśli części wykazują oznaki normalnego zużycia eksploatacyjnego, którego można oczekiwać w wyniku codziennego użytkowania wyrobu (koła, obracające się i ruchome części itp.)

Data wejścia w życie:

Gwarancja wchodzi w życie w dniu zakupu produktu.

Okres obowiązywania gwarancji:

Gwarancja obowiązuje przez okres 24 kolejnych miesięcy. Gwarancja dotyczy wyłącznie pierwszego właściciela i jest nieprzenoszalna.

Postępowanie w przypadku wystąpienia wad:

Należy zachować rachunek za zakupiony wyrób. Na rachunku musi być wyraźnie widoczna data zakupu. W przypadku wystąpienia wad lub innych problemów należy skontaktować się ze sprzedawcą. Nie można zażądać wymiany lub przyjęcia zwrotu produktu. Naprawy nie dają prawa do przedłużenia gwarancji. Produkty zwrócone bezpośrednio do producenta nie podlegają gwarancji.

Niniejsza klauzula gwarancyjna jest zgodna z dyrektywą europejską 99/44/WE z dnia 25 maja 1999 roku.

9. KÉRDÉSEK

Kérdéseivel, kérjük, forduljon a termék eladójához vagy importőréhez (lásd a használati utasítás hátoldalát). Kérjük, tartsa kéznél a következő információkat:

- A termék gyártási száma a narancssárga-fehér matrica alján (a Maxi-Cosi Tobi hátulján).
- A gépkocsi/ülés gyártója és típusa, amelyhez a Maxi-Cosi Tobi ülést használják.
- A gyermek életkora (magassága) és testsúlya.

Vázení rodiče

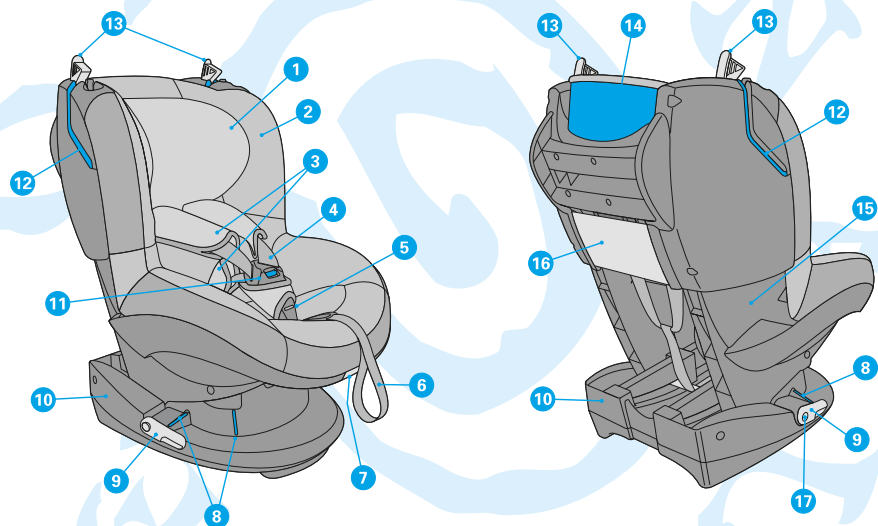
Blahopřejeme Vám k zakoupení autosedačky Maxi-Cosi Tobi.

V každé fázi vývoje sedačky Maxi-Cosi Tobi klademe bezpečnost, pohodlné používání, komfort a vzhled vždy na první místo. V důsledku toho splňuje tento výrobek nejprísnější bezpečnostní požadavky.

Z průzkumu vyplynulo, že mnoho dětských autosedaček je používáno nesprávně. Věnujte proto dostatek času četbě tohoto návodu. Jedině správné používání sedačky dává optimální záruky bezpečnosti vašeho dítěte.

Díky nepřetržitému výzkumu v našem vývojovém oddělení, ve spojení s intenzivním kontaktem a konzultacemi s pokusnými uživateli a zákazníky, jsme jedničkou na poli bezpečnosti dětí v automobilu. Proto také uvítáme všechny Vaše dotazy a připomínky týkající se používání autosedačky Maxi-Cosi Tobi.

Dorel (adresa a telefon – viz zadní stranu návodu k použití)



1. Opěrka hlavy
2. Potah
3. Polstrovaní pásů
4. Ramenní pásy – součást pětibodového systému
5. Indikátor správného utažení pásu
6. Nastavovací popruh pětibodového systému
7. Nastavovací páčka sedačky
8. Červené značení pro správné vedení bederní části bezpečnostního pásu auta
9. Napínák(y) bezpečnostního pásu auta

10. Podstavec
11. Přeška pásu
12. Červený otvor na ramenní část bezpečnostního pásu auta
13. Aretace bezpečnostního pásu auta
14. Červené značení pro správné vedení ramenní části bezpečnostního pásu auta
15. Sedačka (kostra)
16. Úložný prostor s návodem k použití
17. Uvolňovací tlačítko napínáku bezpečnostního pásu auta

CS

JEDINEČNÉ VLASTNOSTI

Abychom snížili nebezpečí chybného použití sedačky a zvýšili komfort při jejím užívání, vybavili jsme sedačku Maxi-Cosi Tobi následujícími unikátními vlastnostmi:

- Pětibodový bezpečnostní pás, který se snadno rozpojí, jakmile rozepnete přezku pásu.
- Indikátor na přezce pásu, jehož zbarvení udává, zda jsou pásy dostatečně pevně utažené.
- Přezka pásu, která slouží i jako tlačítko pro nastavení pětibodového bezpečnostního pásu, tzn. že je-li přezka rozepnutá, odblokuje se automaticky nastavení ramenních pásů, a lze je prodloužit. Je-li přezka zapnutá, můžete ramenní pásy utahovat, dokud se indikátor nezabarví do zelena. Další manipulace s tlačítky není nutná!

OBSAH

1.	DŮLEŽITÉ: ČTĚTE PROSÍM JAKO PRVNÍ!	36
2.	INSTALACE SEDAČKY MAXI-COSITOBI A JEJÍ VYJMUTÍ	37
3.	UMÍSTĚNÍ VAŠEHO DÍTĚTE DO SEDAČKY MAXI-COSITOBI	38
3.1	Používání pětibodového bezpečnostního pásu	38
3.2	Polohy při užívání (Nastavení sedačky do polohy na sezení a ležení)	39
3.3	Vyjmutí dítěte	39
4.	ÚDRŽBA	40
4.1	Všeobecné informace	40
4.2	Potah	40
4.3	Fungování a čištění přezky pásu	41
5.	VŠEOBECNÉ POKYNY	41
6.	TRÍDĚNÍ ODPADU	42
7.	NAVAZUJÍCÍ AUTOSEDAČKY	42
8.	ZÁRUKA	43
9.	DOTAZY	44

1. DŮLEŽITÉ: ČTĚTE PROSÍM JAKO PRVNÍ!

Pročtěte si prosím pečlivě tento návod a uschovejte ho pro pozdější použití. Můžete závažným způsobem ohrozit bezpečnost vašeho dítěte, nebudete-li se řídit pokyny obsaženými v tomto návodu.



Používejte výhradně originální doplňky a součástky, které byly schváleny výrobcem. Na výrobku neprovádějte žádné změny. S případnými stížnostmi či problémy se obračete na dodavatele nebo dovozce.

Homologace dle směrnice ECE R44/04			
	Kategorie	Hmotnost dítěte	Věk
Maxi-Cosi Tobi	1	9 – 18 kg	9 měsíců – 3,5 roky

2. INSTALACE A VYJMUTÍ SEDAČKY MAXI-COSI TOBI

Instalace pomocí 3bodového pásu automobilu (řídte se červeným vodícím značením na výrobku).



Sedačku Maxi-Cosi Tobi používejte výlučně na sedadlech umístěných čelem po směru jízdy a opatřených automatickým 3bodovým bezpečnostním pásem, pokud byl schválen podle směrnice ECE R16 nebo jiné rovnocenné normy.



Správná pozice bezpečnostního pásu auta má zásadní význam pro bezpečnost vašeho dítěte. Dbejte na to, aby byl bezpečnostní pás auta veden na sedačce Maxi-Cosi Tobi tak, jak udává červené značení (viz též nálepka na boku sedačky Maxi-Cosi Tobi). **Nikdy neupevňujte bezpečnostní pás na sedačce jiným způsobem!**



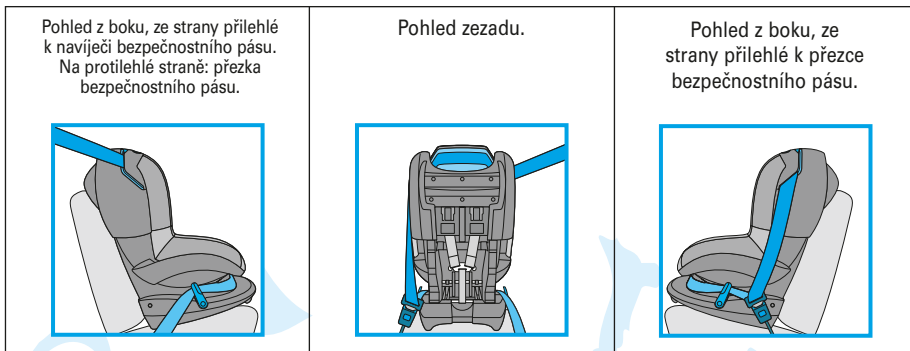
Ze sedadla, na něž chcete sedačku Maxi-Cosi Tobi upevnit, odstraňte opěrku hlavy, pokud vám překáží. Nezapomeňte ji však umístit zpět, je-li sedadlo opět používáno.

A. Instalace

- **POZOR!** Než se pustíte do instalace sedačky Maxi-Cosi Tobi, zajistěte sklápěcí zadní sedadlo proti sklopení.
- **POZOR!** U některých sedadel jsou bezpečnostní pásy natolik vepředu, že správná instalace není možná. V takovém případě zkuste sedačku připravit na jiné sedadlo.
- 1** • **POZOR!** Než začnete s instalací sedačky, uveďte napínáky bezpečnostního pásu auta do správné, tj. vodorovné, polohy. Toho docílíte stiskem uvolňovacího tlačítka (1).
- 2** • **POZOR!** Obě aretace bezpečnostního pásu auta musí být uvolněné (2).
- Postavte sedačku Maxi-Cosi Tobi na sedadlo automobilu.
- 3 4** • Vedte bezpečnostní pás pro upevnění sedačky Maxi-Cosi Tobi podél a přes napínáky bezpečnostního pásu auta (4). Bederní část pásu protáhněte pod okrajem sedačky, jak je vyznačeno červeným vodícím značením (3,1).
- 3** • Zasuňte jazýček bezpečnostního pásu auta do přezky (3,2).
- 5** • **POZOR!** Někdy je zavírací přezka bezpečnostního pásu tak dlouhá, že se ocitne příliš vysoko na spodní části sedačky Maxi-Cosi Tobi, takže sedačku není možné bezpečně upevnit. V takovém případě zkuste sedačku připravit na jiné sedadlo v autě (5). Navíc hrozí, že by se přezka mohla zlomit!
- 6** • Protáhněte ramenní část bezpečnostního pásu auta červeným otvorem v opěradle sedačky na straně přilehlé k přezce bezpečnostního pásu auta (6).
- 7** • Poté vedte ramenní část bezpečnostního pásu auta (jak udává červené značení pro ramenní část pásu) po **zadní straně** sedačky Maxi-Cosi Tobi (7,1).
- 7** • Skrže druhý červený otvor vytáhněte ramenní část pásu opět ven (7,2).
- 8** • Zatlačte sedačku Maxi-Cosi Tobi silou do sedadla automobilu (8,1) a utáhněte při tom pevně ramenní část bezpečnostního pásu (8,2). Nyní je autosedačka Maxi-Cosi Tobi bezpečně umístěna v autě. Ještě jednou ji zkontrolujte!
- 9** • Nejprve zafixujte aretaci na straně přilehlé k přezce bezpečnostního pásu auta a poté aretaci na straně přilehlé k navíječi pásu (9).
- 10** • Nakonec napněte pás tím, že napínák(y) bezpečnostního pásu auta pootočíte o 90° směrem nahoru do svislé polohy (10). Tím zvýšíte napnutí bezpečnostního pásu!
- Většinou se při tom na bederní části bezpečnostního pásu vytvoří záhyb, který však pro vaše dítě nepředstavuje žádné riziko a vzniká při správné instalaci!
- **POZNÁMKA!** Ujistěte se, že obě svorky pro zajištění bezpečnostního pásu na horní straně sedačky jsou zajištěné.
- **POZNÁMKA!** Ujistěte se, že bezpečnostní pás není překroucený.

CS

- Je-li bezpečnostní pás auta správně upevněn, měly by se vám naskytnout následující obrázky:



CS

Kontrolní seznam ...

Abyste zajistili optimální bezpečnost dítěte, přezkontrolujte pro jistotu po dokončení instalace, zda...

- je bezpečnostní pás auta pevně napnutý a není přetočený,
- bederní část bezpečnostního pásu auta prochází podél červeného vodícího značení a přes napínák(y) bezpečnostního pásu,
- je (úhlopříčná) ramenní část bezpečnostního pásu auta dobře připevněna a zda prochází oběma otvory na pásy, tak jak je vzadu na sedačce Maxi-Cosi Tobi červeně vyznačeno,
- jsou obě aretace bezpečnostního pásu zafixované,
- se napínák(y) bezpečnostního pásu auta nacház(ej)í ve svislé poloze,
- jste sedačku Maxi-Cosi Tobi namontovali do auta zcela pevně a stabilně.

B. Vyjmutí sedačky Maxi-Cosi Tobi

- 11 • Rozepněte přezku bezpečnostního pásu auta (11).
 - 12 • Potom uvolněte obě svorky pro zajištění bezpečnostního pásu (12).
 - 13 • Stiskem tlačítka povolte napínák bezpečnostního pásu auta (13). Napínák bezpečnostního pásu nyní skočí dolů do vodorovné polohy.
 - 14 • Vytáhněte bezpečnostní pás auta z červených otvorů (14).
- Vyjměte sedačku Maxi-Cosi Tobi z auta.

3. UMÍSTĚNÍ VAŠEHO DÍTĚTE DO SEDAČKY MAXI-COSI TOBI

3.1 Použití pětibodového bezpečnostního pásu

A. Nastavení pětibodového bezpečnostního pásu do správné výšky

Než umístíte dítě do sedačky Maxi-Cosi Tobi a zapnete pětibodový bezpečnostní pás, nastavte správnou výšku ramenních pásů a opěrky hlavy.

- 15 • Stiskněte červené tlačítko přezky bezpečnostního pásu. Tím přezku rozepnete (15).
- Ramenní pásy se nyní automaticky uvolní a snadno je prodloužíte, aniž byste museli opakovat stisknutí tlačítka.
- 16 • Abyste ramenní pásy uvolnili, přitáhněte je co nejvíce směrem k sobě (16).
- **POZOR!** Netahejte při tom za polstrování bezpečnostního pásu.
- 17 • Posadte dítě ve vzpřímené poloze do sedačky Maxi-Cosi Tobi a zkontrolujte, zda se bezpečnostní pás nachází ve správné výšce (17).

- 18 • **POZOR!** Správnou výšku ramenních pásů poznáte tak, že pásy vstupují kousek nad rameny dítěte do kostry sedačky (18).
- Výšku ramenních pásů můžete nastavit v kombinaci s opěrkou hlavy či pomocí opěrky.
- 19 • Pro nastavení ramenních pásů a opěrky hlavy do požadované výšky uchopte držadlo na horním konci opěrky a kývejte opěrkou směrem dopředu a současně nahoru a dolů (19). Ramenní pásy a opěrku hlavy lze nastavit do 6 různých výškových poloh.

B. Umístění dítěte do sedačky Maxi-Cosi Tobi

- Posadte dítě ve vzpřímené poloze do sedačky Maxi-Cosi Tobi.
- 20 • Položte jazýčky spony na sebe (díl A na díl B) a zasuňte je do přezky, až uslyšíte jasně cvaknutí (20). Zacvaknutím přezky se zablokuje pětibodový bezpečnostní pás, takže je možné pouze jeho utažení. Chcete-li případně pásy prodloužit, je třeba přezku nejprve rozepnout.
- 21 22 • Pětibodový bezpečnostní pás pevně utáhněte pomocí nastavovacího popruhu (21,1). Pás utahujte, dokud se indikátor na přezce bezpečnostního pásu nezbarví do zelena (21,2). Pokud je indikátor stříbrný, je třeba pás více utáhnout (22). Než vyjedete, zkontrolujte, zda je indikátor zelený. Barva indikátoru se může změnit ze zelené na stříbrnou během jízdy v důsledku pohybu dítěte. To je normální a neohrožuje to bezpečnost dítěte.
- **POZOR!** Čím pevněji pásy utáhnete, tím lépe je vaše dítě zabezpečeno.
- **POZOR!** Dbejte na to, aby polstrování bezpečnostního pásu správně přiléhalo profilovanou (protiskluzovou) stranou na ramena/hrudník dítěte.
- **POZOR!** Pásy nesmí být překroucené nebo přeložené napůl.



Vždy používejte polstrování bezpečnostního pásu; je důležité pro bezpečnost vašeho dítěte.



Nedovolte dítěti, aby si hrálo s přezkou bezpečnostního pásu.

3.2 Polohy při užívání (Nastavení sedáku v poloze na sezení a ležení)

Sedačku Maxi-Cosi Tobi můžete nastavit do 5 různých poloh.

- 23 • Zatlačte nastavovací páčku nacházející se pod předním okrajem sedáku směrem nahoru a přitáhněte nebo odtlačte sedák dopředu nebo dozadu (23).
- Když sedák dosáhne požadované pozice, nastavovací páčku uvolněte a zatlačte, až uslyšíte jasně cvaknutí.
- **POZOR!** Zatáhněte za sedačku Maxi-Cosi Tobi, čímž překontrolujete, zda sedačka v požadované poloze pevně drží.

Kontrolní seznam...

Abyste zajistili optimální bezpečnost dítěte, překontrolujte pro jistotu před každou jízdou, zda...

- jste sedačku Maxi-Cosi Tobi namontovali do auta zcela pevně a stabilně,
- je správně nastavena výška ramenních pásů,
- nejsou pásy přetočené,
- polstrování bezpečnostního pásu přiléhá správně profilovanou (protiskluzovou) stranou na ramena/hrudník dítěte,
- je dítě zapnuté v pětibodovém bezpečnostním pásu dostatečně pevně, přezka pásu je zacvaknutá a indikátor zeleně zbarvený,
- nedošlo k poškození bezpečnostního pásu v sedačce Maxi-Cosi Tobi. Pokud ano, v žádném případě sedačku Maxi-Cosi Tobi nepoužívejte a obraťte se na svého dodavatele nebo dovozce.

3.3 Vyjmutí dítěte

- Sedačku Maxi-Cosi Tobi uveďte do polohy na sezení (viz též kapitola 3.2: Polohy při užívání).
- 24 • Stiskněte červené tlačítko na přezce bezpečnostního pásu; tím ji rozepnete (24).
- 25 • Abyste ramenní pásy uvolnili, přitáhněte je co nejvíce k sobě (25).
- Vyjměte dítě ze sedačky Maxi-Cosi Tobi.

CS

4. ÚDRŽBA

4.1 Všeobecné informace

- **POZOR!** Údržbu sedačky Maxi-Cosi Tobi provádějte pouze mimo auto.
- Plastové součásti sedačky očistěte hadříkem namočeným ve vlažné vodě s mýdlem. Nepoužívejte žádné agresivní čisticí prostředky.
- Při čištění textilních součástí postupujte podle instrukcí na visače. Perte je ručně ve vlažné vodě a použijte jemný prací prostředek.
- **POZOR!** Nikdy žádné části sedačky Maxi-Cosi Tobi nemažte, a to ani pohyblivé části.

4.2 Potah

Sejmutí potahu

- 24 25 • Rozepněte přezku bezpečnostního pásu. Přitáhněte ramenní pásy co nejvíce k sobě, abyste je povolili (24, 25). Vyhákněte elastická poutka z háčků nacházejících se po obou stranách nastavovací páčky.
- 26 27 • Vytáhněte pružný okraj potahu ze žlábků na sedačce a poté potah opatrně vpředu stáhněte (26, 27).
- Při snímání polstrování přezky postupujte následujícím způsobem: opatrně polstrování přetáhněte šikmo do strany přes přezku bezpečnostního pásu (zezadu dopředu).
- 28 • Uvolněte potah na obou stranách sedačky (28).
- 29 • Uvolněte zádovou část potahu a překlotejte ji dopředu (29).
- 30 • Opatrně vytáhněte potah na bocích (30).
- 31 • Uvolněte potah zasunutý za aretace pásu auta (31,1).
- 31 • Nyní opatrně přetáhněte potah přes opěrku hlavy (31,2).
- Sundejte potah.
- 32 • Po rozepnutí suchého zipu a patentek na vnější straně sejměte polstrování ramenních pásů (32).
- 33 • Vytáhněte pás zpoza chlopně se suchým zipem (33).
- 34 • Vytáhněte sponu z poutka polstrování bezpečnostního pásu (34).
- 35 • Sejměte polstrování z péra (35).
- Proveďte totéž s polstrováním obou ramenních bezpečnostních pásů.
- Stejný postup (kromě vytažení spony) opakujte u polstrování obou bederních pásů. Polstrování bederních pásů je na pás připevněno pomocí suchého zipu.
- 36 • Potah opěrky hlavy sundáte tak, že vytáhnete obě gumy spodní části potahu zpoza plastové části (36,1).
- Uvolněte potah opěrky hlavy na jedné straně dole a opatrně ho stáhněte z této části opěrky.
- Potah opěrky hlavy uvolněte poblíž žlábků pod držadlem nahoře na opěrce.
- 36 • Nyní můžete potah opěrky hlavy opatrně sejmout (36,2).

Čištění potahu

- Potah a polstrování bezpečnostních pásů se musí prát ručně (při teplotě nejvýše 30 °C). Nepoužívejte sušičku. Viz též instrukce k údržbě na potahu.

Tip: Spolu se sedačkou Maxi-Cosi Tobi je vhodné zakoupit také náhradní potah, abyste sedačku mohli používat i tehdy, když se potah právě pere nebo suší.

Nasazení potahu

- Potah nasadíte postupem opačným ke snímání.
- **POZOR!** Než začnete nasazovat vlastní potah, musíte nejprve upevnit všechna (4) polstrování bezpečnostních pásů a potah opěrky hlavy.
- Zastrčte potah všude pořádně do žlábků na potah v kostře sedačky.
- Zkontrolujte, zda je potah všude zcela napnutý a dobře drží.

4.3 Funkce a čištění zámku bezpečnostního pásu a systému nastavení pásu

Správné fungování zámku bezpečnostního pásu a systému nastavení pásu je velmi důležité pro bezpečnost dítěte. Nejčastějším důvodem nesprávného fungování zámku bezpečnostního pásu a/nebo systému nastavení pásu je znečištění (prach, nečistoty, zbytky jídla atd.). Udržujte čistotu zámku bezpečnostního pásu vysavačem. Pokud systém nastavení pásu nefunguje správně, ihned se obraťte na vašeho dodavatele nebo dovozce (kontaktní údaje viz zadní strana návodu na použití). Za žádných okolností autosedačku Maxi-Cosi Tobi dále nepoužívejte!

V následující části je uveden přehled možných příčin nefunkčnosti a možná řešení.

A. Nefunguje zámek bezpečnostního pásu

- Při rozeptávání přezky bezpečnostního pásu vyskakují jazýčky spony pomalu.
- Přezku bezpečnostního pásu lze otevřít pouze za použití značné síly.
- Zaczvaknutí jazýčků spony v přezce bezpečnostního pásu není plynulé (pocítujete značný odpor).
- Přezku nelze zapnout; jazýčky stále vyskakují ven.
- Při zapínání přezky bezpečnostního pásu jste neslyšeli jasné cvaknutí.

B. Řešení případných závad přezky

- Zkontrolujte, zda není přezka znečištěná a v případě potřeby ji očistěte některým z následujících způsobů: vyklepáním, vymytím, vyfouknutím nebo vysátím špíny vysavačem.
- **POZOR! Nikdy nepoužívejte žádné mazací prostředky!**

Pokud se vám nepodaří přezku bezpečnostního pásu správně zapnout nebo si nejste jisti, že jste zcela odstranili funkční závadu přezky, obraťte se neprodleně na dodavatele nebo dovozce (viz zadní stranu návodu). V žádném případě však sedačku Maxi-Cosi Tobi nepoužívejte!

5. VŠEOBECNÉ POKYNY

Dávejte vždy pozor na následující body ...

- Sedačku použijte ve všech situacích, a to i na krátké cesty v blízkosti domova. Při těch se stává nejvíce nehod.
- Sedačku Maxi-Cosi Tobi používejte pouze v autě a nikoliv doma. Autosedačka nebyla navržena pro používání doma.
- Autosedačku Maxi-Cosi Tobi lze používat na předním i zadním sedadle. I když je automobil vybaven airbagem! Nicméně doporučujeme autosedačku používat na zadním sedadle. Pokud to není možné, musí být autosedačka umístěna přední sedadlo vybavené airbagem v nejzazší poloze. Prostudujte si příručku k automobilu, protože u stále většího množství automobilů lze airbag snadno vypnout.
- Sedačku v autě vždy připevněte pomocí bezpečnostního pásu, a to i tehdy, pokud není zrovna používána. Volná sedačka může v případě náhlého zastavení způsobit zranění ostatních cestujících.
- Dbejte na to, abyste sedačku nepoškodili při nastavování sedadel nebo zavírání dveří, případně tím, že ji umístíte mezi těžká zavazadla nebo pod ně.
- Nikdy nepoužívejte sedačku Maxi-Cosi Tobi bez potahu. Nepoužívejte jiný potah než originální, protože tento potah přispívá k celkové bezpečnosti.
- Pokud auto parkuje na slunci, sedačku Maxi-Cosi Tobi vždy zakryjte. Plastové a kovové součásti se na slunci zahřívají na vysokou teplotu, což může způsobit popáleniny. Sluneční záření je navíc příčinou zbytečného vyblednutí potahu.
- Abyste zabránili poškození potahu, neodstraňujte loga apod. na potahu.
- Zajistěte, aby ve vozidle neležela volně zavazadla a jiné předměty (například na odkládací desce za zadními sedadly). V případě náhlého zastavení nebo nehody se mohou změnit v nebezpečné střely!
- Během delších cest dělejte pravidelné zastávky a dopřejte svému dítěti možnost pohybu.
- **Nikdy nenechávejte dítě v autě bez dozoru.**
- Pro pozdější použití uschovejte návod k použití v příslušné přihrádce v zadu na sedačce Maxi-Cosi Tobi.

CS

- Nikdy nepoužívejte výrobky získané z druhé ruky. Nemůžete vědět, co se s nimi v minulosti stalo. Výrobce se zaručuje za bezpečnost sedačky pouze tehdy, je-li používána prvním majitelem.
- Na dětské autosedačce ani na pásech nesmí uživatel provádět žádné změny. V žádném případě neodstraňujte nálepky a varování apod., která jsou původní součástí sedačky!
- Po nehodě se sedačka Maxi-Cosi Tobi může v důsledku skrytého poškození stát nebezpečnou. Z toho důvodu je nutné ji vždy vyměnit.
- Výrobce bere v úvahu, že autosedačky mohou způsobit vymačkaná místa na potazích sedadel a na bezpečnostních pásech auta. Vzhledem k tomu, že bezpečnostní normy určují, jakou silou mají být dětské sedačky upevněny, nelze tomuto poškození zabránit. Výrobce nenese odpovědnost za škody, které případně v důsledku toho vzniknou.

A samozřejmě...

- Jděte příkladem a používejte v každé situaci bezpečnostní pás!

6. TŘÍDĚNÍ ODPADU

Aby bylo zaručeno optimální a bezpečné užívání autosedaček, nedoporučujeme je používat déle než 5 let od data zakoupení. V důsledku postupného stárnutí plastických hmot, mj. vlivem slunečního záření (UV) se vlastnosti výrobku mohou nepozorovaně horšit.

Když dítě sedačce odroste, doporučujeme sedačku dále nepoužívat a zlikvidovat ji.


S ohledem na péči o životní prostředí žádáme spotřebitele, aby na začátku užívání a po vypršení životnosti sedačky Maxi-Cosi Tobi třídili vzniklý odpad (tj. obal a součásti výrobku).



Plastové obaly nenechávejte nikdy v dosahu dítěte. Předejdete tak riziku udušení.

Obal	Papírová krabice	Odpadový papír
	Igelitový pytel	Plastový odpad
Součásti výrobku	Potah	Zbytkový odpad
	Plastové části	Dle popisu/typu kontejneru určeného pro tento odpad
	Kovové části	Kovový odpad
	Bezpečnostní pás	Plastový odpad
	Přezka pásu	Zbytkový odpad

7. NAVAZUJÍCÍ AUTOSEDAČKY

Typ autosedačky	Schváleno dle ECE R44/04		
	Kategorie	Hmotnost dítěte	Věk
 Maxi-Cosi Rodi XR	2 + 3	15 až 36 kg	3,5 až 12 let

8. ZÁRUKA

Zaručujeme, že tento výrobek byl vyroben v souladu se současnými evropskými bezpečnostními požadavky a jakostními normami příslušnými tomuto výrobku a že tento výrobek v době nákupu nemá žádné vady provedení a materiálu. Během výrobního procesu byl výrobek vystaven různým kontrolám kvality. Vykazuje-li tento výrobek navzdory našemu úsilí závadu materiálu či výroby během záruční doby 24 měsíců (s normálním používáním, jak je popsáno v uživatelské příručce), zavazujeme se respektovat záruční podmínky. V tomto případě prosím kontaktujte svého dodavatele. Pro další informace o uplatňování záručních podmínek můžete kontaktovat svého dodavatele nebo se podívat na naše webové stránky: www.maxi-cosi.com.

CS

Záruka není platná v následujících případech:

- V případě používání pro jiné účely než ty popsané v uživatelské příručce.
- Pokud je výrobek zadán k opravě dodavatelem, který není námi oprávněný.
- Pokud nebyl výrobek vrácen výrobcí společně s původním dokladem o zakoupení (prostřednictvím prodejce a/nebo dovozce).
- Pokud byly opravy provedeny třetí stranou či dodavatelem, která/ý není uznaná/ý společností Dorel Netherlands.
- Pokud vada vznikla nesprávným nebo nedbalým používáním či nevhodnou údržbou, nedbalostí nebo nárazem do látkového potahu a/nebo rámu.
- Pokud části výrobku vykazují normální opotřebování a trhliny, které mohou být očekávány od každodenního používání (kola, otočné a pohyblivé součásti atd.)

Datum vstupu v platnost

Záruka vstupuje v platnost v den zakoupení výrobku.

Záruční doba

Záruční doba platí po dobu 24 po sobě jdoucích měsíců. Záruka je poskytnuta pouze prvnímu uživateli a je nepřenosná.

Co dělat v případě závad:

Po nákupu výrobku si ponechte doklad o zakoupení. Datum nákupu musí být jasně viditelné na dokladu. V případě problémů nebo závad se obraťte na prodejce. Nelze požadovat výměnu nebo vrácení výrobku. Opravou vzniká nárok na prodloužení záruční lhůty u opravované části. Výrobky, které nejsou navrženy přímo výrobcí, nemají nárok na záruku.

Tyto záruční podmínky jsou v souladu s evropskou směrnicí 99/44/EG z 25. května 1999.

9. DOTAZY

V případě dotazů se můžete telefonicky spojit se svým dodavatelem nebo dovozcem (viz zadní stranu návodu k použití). Nezapomeňte si připravit následující informace:

- Sériové číslo uvedené dole na oranžovo-bílé nálepce ECE (vzadu na sedačce Maxi-Cosi Tobi).
- Značku, typ a rok výroby automobilu a na kterém sedadle sedačku Maxi-Cosi Tobi používáte.
- Věk (výšku) a hmotnost dítěte.

CS



Kallid lapsevanemad!

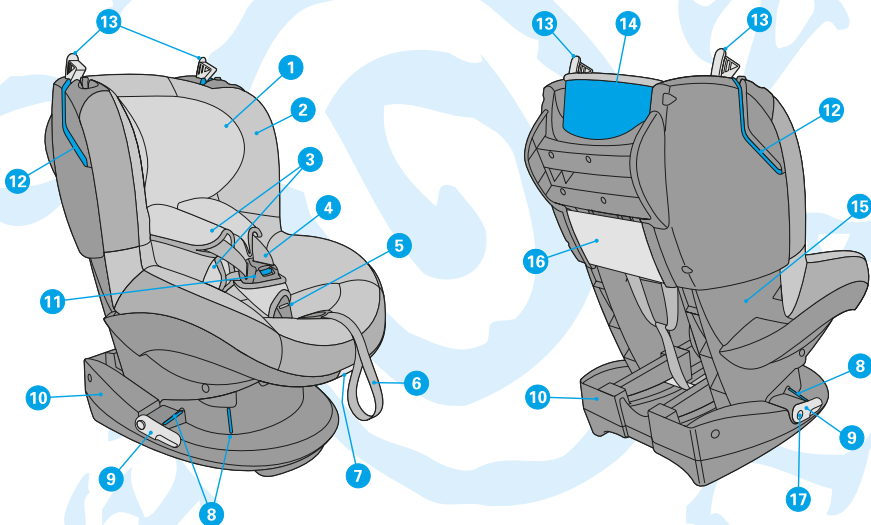
Õnnitleme teid Maxi-Cosi Tobi ostu puhul.

Maxi-Cosi Tobi väljatöötamisel pöörasime erilist tähelepanu turvalisusele, mugavusele ja kasutajasõbralikkusele. Selle tulemusel vastab käesolev toode kõige rangematele turvanõuetele.

Uuringud on näidanud, et suurt osa auto istmetest ei kasutata õigesti. Seetõttu varuge enese jaoks aega, et lugeda käesolev kasutusjuhend hoolikalt läbi. Teie lapse turvalisust saab tagada üksnes siis, kui käesolevat toodet kasutatakse õigesti.

Meie tootearendusosakonna poolt tehtavad pidevad uuringud, mida toetavad intensiivsed suhted testimisinstituutidega ja nõupidamised tarbijate ja klientidega, kindlustavad, et me oleme kursis kõige värskemate uudistega laste turvalisuse valdkonnas. Kui teil on Maxi-Cosi Tobi kasutamise osas mingeid küsimusi või kommentaare, siis palun võtke meiega kindlasti ühendust.

Dorel (aadressi ja telefoninumbrist vaadake kasutusjuhendi tagaküljel)



- | | |
|--|---|
| 1. Peatugi | 10. Alusraam |
| 2. Katteriie | 11. Turvarihmade lukustuspannal |
| 3. Rihmapadjad | 12. Diagonaalurvavöö punane pilu |
| 4. Õlarihmad – rihmade süsteem | 13. Autoistme urvavöö klambrid |
| 5. Rihma pinguloleku indikaator | 14. Turvavöö tagumine punane markeering |
| 6. Rihmade süsteemi reguleerimisrihm | 15. Korpus |
| 7. Isteosa reguleerimiskäepide | 16. Kasutusjuhendi hoiukoht |
| 8. Horisontaalurvavöö punased markeeringud | 17. Turvavöö pinguti(te) vabastusnupp |
| 9. Turvavöö pinguti(d) | |

ET

ERILISED OMADUSED

Järgmised unikaalsed omadused vähendavad Maxi-Cosi Tobi ebaõige autosse paigaldamise tõenäosust ja lihtsustavad turvaistme kasutamist:

- Turvarihmade süsteem, mis "hüppab" rihmapandla avamisel ise lahti.
- Turvarihmade lukustuspannal asuv indikaator, mis näitab värvide abil, kui rihmad pole piisavalt pingul.
- Lukustuspannal, mis toimib rihmade süsteemi juhtnupuna; st. pandla avamisel vabastatakse automaatselt õlarihmad ning neid saab pikendada. Pandla sulgemisel saab õlarihmu pingutada, kuni indikaator on ROHELINE. Rohkem polegi tarvis nuppe vajutada!

SISUKORD

1.	OLULINE: LUGEGE LÄBI!	46
2.	MAXI-COSITOBİ PAİGALDAMINE JA EEMALDAMINE	47
3.	LAPSE PAIGUTAMINE MAXI-COSITOBİ İSTMESSE	48
3.1	Rihmade süsteemi kasutamine	48
3.2	Istme asendid (istme seadmine istumis- ja lamamisasenditesse)	48
3.3	Lapse välja võtmine	48
4.	HOOLDUS	48
4.1	Üldist	48
4.2	Katteriie	49
4.3	Rihmapandla kasutamine ja puhastamine	49
5.	ÜLDISED JUHISED	50
6.	JÄÄTME TE UTILISEERIMINE	52
7.	AUTOİSTMED	52
8.	GARANTII	52
9.	KÜSIMUSED	52

1. OLULINE: LUGEGE LÄBI!

Lugege käesolev kasutusjuhend hoolikalt läbi ja hoidke seda tulevikus kasutamiseks alles. Käesoleva juhendi eiramine võib põhjustada teie lapsele tõsise trauma.



Kasutage üksnes originaalseid lisaseadmeid ja valmistaja poolt heakskiidetud osi. Ärge tehke tootes mingeid muudatusi. Mistahes probleemide või kaebuste tekkimisel võtke ühendust jaemüüja või importijaga.

Heaks kiidetud vastavalt standardile ECE R44/04			
	Grupp	Lapse kehakaal	Vanus
Maxi-Cosi Tobi	1	9 – 18 kg	Umbes 9 kuud – 3,5 aastat

2. MAXI-COSI TOBI PAIGALDAMINE JA EEMALDAMINE

Paigaldamine kolmepunktilise turvavöö abil (järgige toote punaseid markeeringuid)



Maxi-Cosi Tobi turvaistet tohib kasutada ainult ettepoole suunatud istmel, mis on varustatud automaatse kolmepunktilise turvavööga, mis vastab standardi ECE R16 või samaväärsetele nõuetele.



Auto turvavöö õige paigaldamine on teie lapse ohutuse tagamiseks hädavajalik. Turvaiste tuleb kinnitada õiges järjekorras mööda Maxi-Cosi Tobi punaseid markeeringuid. Vt ka Maxi-Cosi Tobi küljel asuvat kleebist. **Ärge paigaldage turvavööd kunagi kirjeldatust erinevalt!**



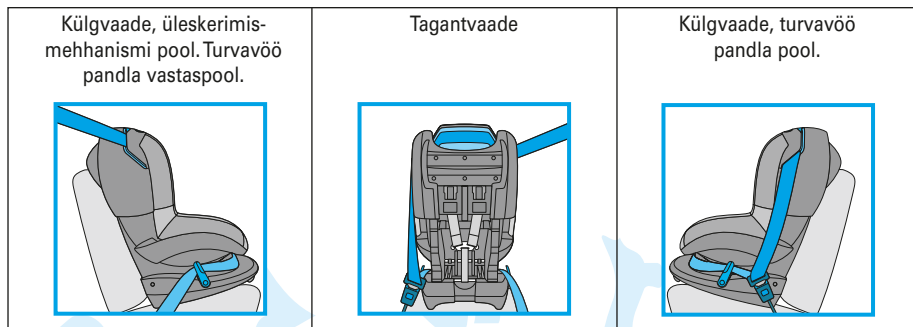
Kui istme peatugi jääb Maxi-Cosi Tobi paigaldamisel ette, siis eemaldage see. Ärge unustage peatuge tagasi paigaldada, kui kasutate istet taas tavapärasel viisil.

ET

A. Paigaldamine

- **PANGE TÄHELE!** Fikseerige enne Maxi-Cosi Tobi paigaldamist allalastavad tagaistmed isteasendisse.
- **PANGE TÄHELE!** Mõnedel istmetel on turvavööd liiga kaugele ette paigaldatud. See muudab nõuetekohase paigalduse võimatuks. Sel juhul proovige mõne teise istmega.
- 1 • **PANGE TÄHELE!** Kontrollige enne istme paigaldamist vabastusnuppu (1) vajutades, kas turvavöö pingutid on õiges asendis. Turvavöö pingutid peavad asetsema horisontaalselt.
- 2 • **PANGE TÄHELE!** Kontrollige, et mõlemad turvavööde klambrid oleksid avatud (2).
- Asetage Maxi-Cosi Tobi autoistmele.
- 3 4 • Asetage Maxi-Cosi Tobi turvavöö piki ja üle (4) turvavöö pingutite. Kontrollige, et horisontaalturvavöö läheks korpuse alt üle punaste turvavöö markeeringute (3,1).
- 3 • Kinnitage auto turvavöö pannel (3,2).
- 5 • **PANGE TÄHELE!** Mõnel juhul võib auto turvavöö pannel olla liiga pikk ja ulatuda seetõttu Maxi-Cosi Tobi alusest kõrgemale. Sellisel juhul ei saa turvaistet korralikult kinnitada. Sellisel juhul valige autos mõni teine asukoht (5). Peale selle võib see pandla purustada!
- 6 • Libistage diagonaalturvavöö küljele, kus asub ka auto turvavöö pannel, läbi seljatoe asuva punase pilu (6).
- 7 • Seejärel viige diagonaalturvavöö mööda punaseid markeeringuid Maxi-Cosi Tobi tagant läbi (7).
- 7 • Libistage turvavöö läbi teise punase pilu väljapoole (7,2).
- 8 • Suruge Maxi-Cosi Tobi kindlalt autoistmesse (8,1), tõmmates samaaegselt diagonaalturvavööd pingule (8,2). Nüüd on Maxi-Cosi Tobi kindlalt asotsse kinnitatud. Kontrollige seda veel kord!
- 9 • Esmalt sulgege turvavöö pandla poolne klamber ning seejärel üleskerimismehhanismi poolne klamber (9).
- 10 • Viimasena pingutage turvavöö korralikult, keerates turvavöö pingutit/-eid veerand pööret vertikaalselt üles (10). Turvaiste on nüüd kindlamini kinnitatud!
- Paljudel juhtudel kaasneb sellega horisontalturvavöö keerdumine. Kuid see pole lapsele ohtlik ja on õige paigalduse korral normaalne!
- **TÄHELEPANU!** Veenduge, et mõlemad vöö sulgurid istme ülaosas on kinni.
- **TÄHELEPANU!** Kontrollige, et istme turvavöö poleks keerdus.

- Turvavöö nõuetekohase paigalduse korral peab see asetsema järgmiselt:



ET

Kontrollnimekirj...

Et tagada teie lapse optimaalne turvalisus, kontrollige pärast paigaldamist järgmisi asjaolusid:

- turvavöö on pingul ja pole keerdunud,
- horisontaalturvavöö läbib punaseid markeeringuid turvavöö pingutiit-aid,
- diagonaalturvavöö on korralikult kinnitatud ja läbib kahte pilu, järgides Maxi-Cosi Tobi taga asuvaid punaseid markeeringuid,
- mõlemad turvavöö klambrid on suletud,
- turvavöö pinguti(d) on pingutatud, vertikaalses asendis,
- kogu turvaiste on kindlalt ja tugevalt autosse paigaldatud.

B. Maxi-Cosi Tobi eemaldamine

- 11 • Avage turvavöö pannel (11).
- 12 • Järgmiseks avage mõlemad vöö sulgurid (12).
- 13 • Vabastage nupule vajutades turvavöö pinguti (13). Turvavöö pinguti liigub seejärel alla horisontaalasendisse.
- 14 • Eemaldage turvavöö piludest (14).
- Tõstke Maxi-Cosi Tobi autost välja.

3. LAPSE PAIGUTAMINE MAXI-COSI TOBI ISTMESSE

3.1 Rihmade süsteemi kasutamine

A. Rihmade kõrguse reguleerimine

Enne lapse paigutamist Maxi-Cosi Tobi istmesse ja rihmade kinnitamist kontrollige, kas õlarihmad ja peatugi on õigel kõrgusel.

- 15 • Avage rihmapannal (15) vajutades selle punast nuppu.
- Õlarihmad vabanevad automaatselt ja neid saab ilma muid nuppe vajutamata pikendada.
- 16 • Lõdvendage õlarihmu, tõmmates neid võimalikult kaugemale ettepoole (16).
- **PANGE TÄHELE!** Ärge tõmmake rihmapatjadest.
- 17 • Asetage laps istmesse, nii et tema selg jääb sirgelt vastu Maxi-Cosi Tobi seljatuge. Kontrollige rihma kõrgust (17).
- 18 • **PANGE TÄHELE!** Õlarihmad on õige kõrgusega, kui turvavöö siseneb korpusesse natuke kõrgemal lapse õlgadest (18).
- Reguleerige õlarihmade kõrgust koos peatoega ning selle abil.
- 19 • Õlarihmade ja peatoe õigele kõrgusele reguleerimiseks liigutage peatuge ülemisest käepidemest samaaegselt ettepoole ja üles või alla (19). Õlarihmasid ning peatuge saab seada 6 erinevale kõrgusele.

B. Lapse paigutamine Maxi-Cosi Tobi istmesse

- Asetage laps istmesse, nii et tema selg jääb sirgelt vastu Maxi-Cosi Tobi seljatuge.
- 20** • Asetage pandla seksioonid kokku (seksioon A seksiooni B peale) ja torgake need pandlasse, kuni kuulete klõpsatust (20). Pandla sulgumisel rihmade süsteem lukustub ning seda saab ainult pingutada. Kui soovite rihmasid pikendada, siis tuleb panna taas avada.
- 21 22** • Seejärel tõmmake rihmade süsteem pingutusrihma abil pingule (21,2). Tõmmake, kuni rihmapandla indikaator muutub roheliseks (21,2). Kui indikaator on ikka veel hõbedast värvi, tuleb rihma kõvemini pingutada (22). Veenduge enne sõitma hakkamist, et indikaator on roheline. Sõitmise ajal võib indikaator minna uuesti hõbedaseks lapse liigutuste tõttu. See on täiesti loomulik ja see ei mõjuta lapse turvalisust.
- **PANGE TÄHELE!** Mida tihedamalt on rihmad lapse ümber, seda paremini on laps kaitstud.
- **PANGE TÄHELE!** Kontrollige, et rihmapatjade mittelibisevad pooled asetseksid nõuetekohaselt lapse õlgadel/rinnal.
- **PANGE TÄHELE!** Kontrollige, et rihmad poleks keerdus või kahekorra.



Kasutage alati rihmapatjasid, sest need on lapse turvalisuse seisukohalt olulised.



Hoolitsege selle eest, et laps ei mängiks rihmapandlaga.

3.2 Isteosa asendid (istme seadmine istumis- ja lamamisasenditesse)

Maxi-Cosi Tobi istet saab seada 5 asendisse.

- 23** • Tõmmake istme esiosa all asetsevat käepidet ülespoole ja seejärel tõmmake või suruge istet ette- või tahapoole (23).
- Vabastage käepide soovitud asendis ja suruge seda, kuni kuulete selget klõpsu.
- **PANGE TÄHELE!** Veenduge istet tõmmates, et Maxi-Cosi Tobi turvaiste on kindlalt soovitud asendisse lukustatud.

Kontrollnimekirj...

Lapse optimaalse turvalisuse tagamiseks veenduge enne iga sõitu, et ...

- kogu turvaiste on kindlalt ja tugevalt autosse paigaldatud,
- õlarihmade kõrgus sobib lapse kasvuga,
- rihmad ei ole keerdus,
- rihmapatjade mittelibisevad pooled asuvad nõuetekohaselt lapse õlgadel/rinnal.
- laps on turvarihmadega turvaliselt kinnitatud ja rihmapandlad on nõuetekohaselt lukustatud ja indikaator on roheline,
- Maxi-Cosi Tobi turvaistme kinnitused ei ole kahjustatud. Kahjustuste korral ärge mingil juhul Maxi-Cosi Tobi turvaistet kasutage ja võtke viivitamatult ühendust turvaistme müüja või importijaga.

3.3 Lapse välja võtmine

- Asetage Maxi-Cosi Tobi turvaiste isteasendisse (vt ka osa 3.2: Istme asendid).
- 24** • Avage rihmapannal vajutades selle punast nuppu (24).
- 25** • Lõdvendage õlarihmu, tõmmates neid võimalikult kaugele ettepoole (25).
- Tõstke laps Maxi-Cosi Tobi istmest välja.

4. HOOLDUS

4.1 Üldist

- **PANGE TÄHELE!** Eemaldage turvaiste autost enne igasuguseid hooldustöid.
- Istme plastmassosi võib puhastada seebi ja leige veega. Ärge kasutage abrasiivseid puhastusvahendeid.
- Riidest osi võib puhastada vastavalt pesemisjuhiste etiketile; käsitsipesu leiges vees ja pehmetoimelised pesemisvahendid.
- **PANGE TÄHELE!** Äge kunagi kasutage määrdeaineid – ka Maxi-Cosi Tobi liikuvate osade puhul mitte.

4.2 Katterie

Katteride eemaldamine

- 24 25 • Avage rihmapannal. Lõdvendage õlarihmu, tõmmates neid võimalikult kaugele ettepoole (24, 25). Vabastage kummipaelad mõlemalt poolt käepidet.
- 26 27 • Eemaldage katteride kummiga serv korpuse äärte küljest ja vabastage katterie ettevaatlikult eestpoolt (26, 27).
 - Eemaldage rihmapandla padi tõmmates selle ettevaatlikult nurga all üle pandla. Tõmmake katterie üle pandla (tagant poolt ette).
- 28 • Vabastage katterie korpuse mõlemal küljel asuvate kinnituspunktide küljest (28).
- 29 • Vabastage katteride tagumine hõlm ja voltige see ettepoole (29).
- 30 • Eemaldage katterie ettevaatlikult külgedelt (30).
- 31 • Vabastage katterie turvavöö klambrite tagant. Katterie on siin turvavöö kambrite taha lükatud (31,1).
- 31 • Seejärel tõmmake katterie ettevaatlikult üle peatoe (31,2).
 - Eemaldage katterie.
 - Eemaldage õlarihmade rihmapadjad, vabastades väljastpoolt takjakinnituse ja trukid (32).
 - 33 • Eemaldage rihm takjakinnitusega hõlma tagant (33).
 - 34 • Libistage konks rihmapadja silmusest välja (34).
 - 35 • Eemaldage rihmapadi vedru küljest (35).
 - Tehke sama mõlema rihmapadjaga.
 - Korrake ülaltoodud puusaosa rihmapatjadega, väljaarvatud konksu osas. Puusaosa rihmapadjad on takjakinnitusega rihma külge kinnitatud.
 - 36 • Eemaldage peatoe katterie, eemaldades kaks kummipaela alumisest hõlmast plastmassosa alt (36,1).
 - Vabastage peatoe katterie ühe külje kinnituspunkti alt ja eemaldage katterie sellelt peatoe küljelt.
 - Vabastage peatoe katterie peatoe servast ülaosa käepideme juures.
 - 36 • Seejärel eemaldage ettevaatlikult peatoe katterie (36,2).

Katteride puhastamine

- Peske turvaistme katteriidet ja rihmapatjasid käsitsi (kuni 30 °C). Ärge asetage neid kuivatisse. Vaadake ka katteride hooldusjuhendit.

Näpunäide: Soovitav on Maxi-Cosi Tobi ostmisel osta kaasa ka lisakatterie, et saaksite jätkata istme kasutamist ka siis, kui katterie on pesus või kuivamas.

Katteride paigaldamine

- Korrake ülaltoodud juhiseid vastupidises järjekorras!
- **PANGE TÄHELE!** Esmalt kinnitage 4 rihmapatja ja peatoe katterie.
- Tõmmake katteride servad korralikult kestale.
- Kontrollige, et katterie istuks tihedalt ja oleks korralikult kinnitatud.

4.3 Rihmapannal ja rihma kõrguse reguleerimine ning puhastamine

Lapse ohutuse seisukohalt on väga tähtis, et rihmapannal ja rihma kõrguse reguleerimise süsteem korralikult toimiks. Kõige tavalisem põhjus, miks need korralikult ei tööta, on määrdumine (tolmu, prügi, toiduosakestega jmt). Kontrollige, kas rihmapannal on täiesti puhas ja vajadusel puhastage seda tolmuimejaga. Kui rihma kõrguse reguleerimise süsteem korralikult ei tööta, võtke kohe ühendust oma edasimüüjaga või maaletoojaga (täpse kontaktheabe leiate kasutamishendit tagaküljelt). Ärge mingil juhul hakake Maxi-Cosi Tobi't kasutama!

Edasises leiate võimalike rikete ja juhiste loetelu.

A. Rihmapannal ei tööta korralikult

- Pandla avamisel avanevad selle seksioonid aeglaselt.
- Rihmapannalt saab avada ainult märkimisväärse jõu rakendamisel.
- Pandla seksioone on raske pandlasse klõpsata (liiga suur takistus).
- Pandla seksioonid ei jää rihmapandlasse kinni (need pääsevad pandlast kohe lahti).
- Pandla seksioonide rihmapandlasse lukustamisel ei kosta selget klõpsu.

B. Probleemide lahendamine

- Kontrollige, kas pandlas pole mustust ja vajadusel puhastage seda näiteks koputades mustuse välja, loputades, puhudes õhku või imedes seda tolmuimejaga.
- **PANGE TÄHELE! Ärge kunagi kasutage määrdeaineid!**

Kui te ei ole võimeline rihmapannalt sulgema või kui te ei ole kindel, kas te olete probleemi õigesti lahendanud, siis võtke viivitamatult ühendust oma jaemüüja või importijaga (vt kasutusjuhendi tagakülge). Mingil juhul ärge siis Maxi-Cosi Tobi turvaistet kasutage.

5. ÜLDISED JUHISED**Pöörake alati tähelepanu järgmistele asjaoludele...**

- Kasutage turvaistet alati, ka lühikestel sõitudel, sest just nende käigus juhtub enamik avariisid.
 - Kasutage Maxi-Cosi Tobi turvaistet ainult autos, mitte aga kodus. Autoistmed ei ole mõeldud koduseks kasutamiseks.
 - Maxi-Cosi Tobi sobib kasutamiseks nii esi- kui tagaistmel. Ka siis, kui autol on turvapadi! Me soovime siiski paigaldada turvaistme tagaistmele. Kui sinna ei saa paigaldada ja te paigaldate turvaistme turvapadjaga esiistmele, jälgige, et esiiste oleks kõige tagumisemas asendis. Vaadake auto kasutusjuhendit, sest üha enam on nüüd autosid, kus saab turvapadja välja lülitada.
 - Iste tuleb alati kinnitada, isegi kui see pole kasutusel. Lahtine iste võib ootamatul pidurdamisel või avarii korral kaassõitjaid vigastada.
 - Hoolitsege selle eest, et Maxi-Cosi Tobi turvaiste ei kiiluks raske pagasi või reguleeritavate istmete vahele ega ei jääks kinnilöödava autoukse vahele.
 - Mitte kunagi ärge kasutage Maxi-Cosi Tobi turvaistet ilma katteriideta. Ärge asendage katteriit mõne muu valmistaja poolt tarnitud katteriidega, sest katteriie on üks turvaistme turvalisuse osa.
 - Auto päikese kätte parkimisel katke Maxi-Cosi Tobi turvaiste alati kinni, sest istme plastmass- ja metalloosad võivad minna äärmiselt tuliseks ja kangas võib pleekida.
 - Kanga kahjustuste vältimiseks ärge eemaldage katteriidelt logosid.
 - Veenduge, et pagas ja mitmesugused esemed (näiteks tagaistme riulil), on nõuetekohaselt kinnitatud. Hädaseisukumise või avarii korral muutuvad need ohtlikeks lendobjektideks!
 - Pikematel reisidel tehke lühikesi vahepeatusi ja andke oma lapsele veidi liikumisvabadust.
 - Ärge **mitte kunagi** jätke last autosse järelevalveta.
 - Hoidke kasutusjuhendit tulevikus lugemiseks Maxi-Cosi Tobi turvaistme tagaküljel olevas taskus.
 - Ärge mitte kunagi tarvitage kasutatud toodet! Te ei saa olla kindel, mis sellega on juhtunud. Valmistaja garanteerib auto turvaistme ohutuse üksnes siis, kui seda kasutab esialgne omanik.
 - Kasutaja ei tohi turvaistet ega rihmu mingil moel modifitseerida. Mitte mingil juhul ei tohi eemaldada ka ühtegi istme osaks olevat kleebit ega hoiatussilti!
 - Pärast avariid vahetage Maxi-Cosi Tobi turvaiste välja, sest iste võib esmapilgul nähtamatu kahjustuse tõttu olla ohtlik.
 - Turvaistme valmistaja on võtnud arvesse asjaolu, et turvaiste võib jätta jälgi auto polstrile ja turvavöödele. Paraku on see vältimatu turvastandardite tõttu, mis nõuavad turvaistme kindlat kinnitamist. Seetõttu ei võta tootja endale mingit vastutust nimetatud põhjustel tekkinud kahjustuste eest.
- Ütlematagi selge ...**
- Andke head eeskju ja kinnitage alati turvavöö!

ET

6. JÄÄTME TE UTILISEERIMINE

Auto turvaistme tõhusaks ja turvaliseks kasutamiseks ei tohi seda kasutada rohkem kui 5 aasta jooksul alates ostukuupäevast. Plastmassdetailide vananemine, näiteks päikesevalguse tõttu (UV), võib põhjustada toote kvaliteedi märgatavat langust.

Kui laps on oma istmest välja kasvanud, soovitame istme kasutamise lõpetada ja hävitada see tavapärasel viisil.


Keskonnakaitse põhjustel palume teil eraldada Maxi-Cosi Tobi tekitatud jäätmed alates ostuhetkest (pakend) kuni minemaviskamiseni (toote osad).



Lämbumisohu vältimiseks hoidke kilepakend lastele kättesaamatus kohas.

Pakend	Pappkast	Vanapaber
	Kilekott	Olmejäätmed
Toote osad	Katterie	Olmejäätmed
	Plastmassosad	Asjakohane jäätmekonteiner
	Metalliosad	Metalli konteiner
	Rihmad	Plastmassi kogumise konteiner
	Turvavöö pannaal	Olmejäätmed

7. AUTOISTMED

Auto turvaistme tüüp	Heaks kiidetud vastavalt standardile ECE R44/04		
	Grupp	Lapse kehakaal	Vanus
 Maxi-Cosi Rodi XR	2 + 3	15-36 kg	Umbes 3,5-12 aastat

8. GARANTII

Garanteerime, et käesolev toode toodeti kooskõlas jõusolevate Euroopa ohutusstandardite ja kvaliteedinõuetega, mida käesoleva toote suhtes rakendatakse ning et toote jaemüüja poolt ostmise ajal ei ole nimetatud tootel valmistamis- ega materjali defekte. Tootmisprotsessi ajal toimus mitu toote kvaliteedikontrolli. Kui vaatamata meie pingutustele tekivad tootel 24-kuulise garantiiaja jooksul materjali- või valmistamisvead (kasutusjuhises kirjeldatud normaalse kasutamise puhul), kohustume garantiiaja tingimustest kinni pidama. Sel juhul palume edasimüüjaga ühendust võtta. Garantiiaja tingimuste rakendumise kohta edasise teabe saamiseks võite ühendust võtta kas edasimüüjaga või vaadata meie veebilehte www.maxi-cosi.com.

Garantii on kehtetu järgmistel juhtudel:

- Kasutamine või eesmärk, mis erineb kasutusjuhendis kirjeldatust.
- Kui toode on antud parandamiseks vahendajale, keda me ei tunnusta.
- Kui tootjale ei ole tootega kaasa antud originaaltšekki (jaemüüja ja/või maaletooja poolt).
- Kui parandamine teostati Dorel Netherlands'i poolt mitte tunnustatud kolmandate osapoolte või edasimüüja poolt.
- Kui defekt on tekkinud riidekatte- ja/või raami ebasobiva või hooletu kasutamise või hoolduse tõttu, ettevaatamatuse või löögikahjustuse tõttu.
- Kui osadel on toote (rattad, pöörlevad ja liikuvad osad jne) igapäevasest kasutamisest oodatava normaalse kulumise tunnused.

Jõustumise kuupäev:

Garantii jõustub kuupäeval, mil toode ostetakse.

Garantiiaeg:

Garantiiperiood rakendub 24-l järjestikusel kuul. Garantii kehtib vaid esmaomaniku puhul ning seda ei saa üle kanda.

Mida teha, kui on tekkinud defektid:

Pärast toote ostmist säilitage ostutšekk. Ostu kuupäev peab tšekil selgelt näha olema. Probleemide või defektide tekkimise juhul palun võtke ühendust jaemüüjaga. Toote väljavahetamist või tagasi võtmist ei saa nõuda. Parandamine ei anna õigust garantiid pikendada. Toodetele, mis tagastatakse otse tootjale, garantii ei kehti.

Käesolevad garantiisätted vastavad Euroopa Direktiivile 99/44/EÜ, 25. mai 1999.

9. KÜSIMUSED

Mistahes küsimuste korral helistage maaletoojale (vt kasutusjuhendi tagakülge). Helistamisel palun hoidke käepärast alljärgnev teave:

- Seerianumber, mis asub oranži/vaalge ECE kleebise all (Maxi-Cosi Tobi tagaküljel).
- Auto mark ja mudel ning iste, millel Maxi-Cosi Tobi turvaistet kasutatakse.
- Teie lapse vanus, pikkus ja kaal.

Dragi starši!

Čestitamo vam ob nakupu otroškega sedeža Maxi-Cosi Tobi.

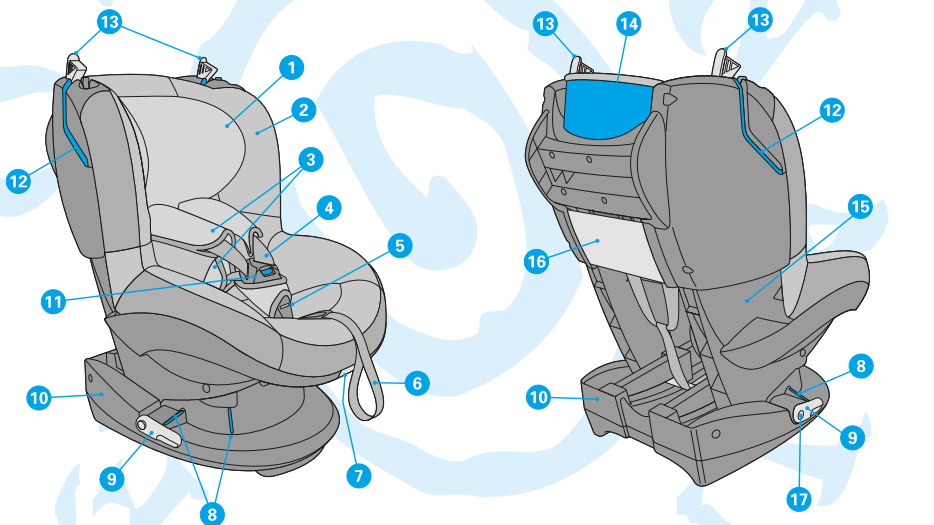
Pri razvoju sedeža Maxi-Cosi Tobi smo posebno pozornost namenili varnosti, preprostosti uporabe, udobju in obliki. Zaradi tega ta izdelek izpolnjuje najstrožje varnostne zahteve.

SL

Raziskave so pokazale, da večina ljudi otroške sedeže napačno uporablja. Zato je pomembno, da pozorno preberete navodila za uporabo. Optimalno varnost otroka lahko zagotovite le s pravilno uporabo sedeža Maxi-Cosi Tobi.

S pomočjo nenehnih raziskav naših oddelkov za razvoj izdelkov in trženje, ki jih dopolnjujemo tudi s stiki in posvetovanjem s testnimi ustanovami, potrošniki in strankami, poskrbimo, da so naši izdelki vodilni na področju varnosti otrok v avtomobilu. Z veseljem se bomo odzvali na morebitna vprašanja in pripombe glede uporabe sedeža Maxi-Cosi Tobi.

Dorel (naslov in telefonsko številko najdete na hrbtni strani teh navodil za uporabo)



- | | |
|--|---|
| 1. naslon za glavo | 10. okvir |
| 2. prevleka iz blaga | 11. zaponka za pas |
| 3. blazinice za pas | 12. rdeča odprtina za naramni del varnostnega pasu |
| 4. naramni pasovi – sistem naramnih pasov | 13. spona za avtomobilski sedež |
| 5. indikator zategnenosti pasu | 14. rdeče oznake za varnostnim pasom |
| 6. pas za prilagoditev sistema pasov | 15. školjka |
| 7. ročaj za prilagoditev školjke | 16. prostor za shranjevanje navodil za uporabo |
| 8. rdeče oznake za medenični predel varnostnega pasu | 17. gumb za sprostitvev zategovalnikov varnostnega pasu |
| 9. zategovalniki varnostnega pasu | |

POSEBNE FUNKCIJE

Da bi zmanjšali možnosti nepravilne uporabe in obenem izboljšali njeno preprostost, smo sedež Maxi-Cosi Tobi opremili z naslednjimi edinstvenimi funkcijami:

- Sistem naramnih pasov, ki izskoči, ko odprete zaponko za pas. Indikator na zaponki za pas z različnimi barvami označuje ustrezno zategnjenost pasov.
- Zaponka za pas, ki deluje tudi kot kontrolni gumb sistema; ko je na primer zaponka odprta, se nadzor nad naramnimi pasovi samodejno sprosti in pasove je mogoče podaljšati. Ko je zaponka zaprta, je mogoče naramne pasove zategovati, dokler se indikator ne obarva v "ZELENO". Nadaljnja (dodatna) uporabagumbov ni potrebna!

SL

VSEBINA

1.	POMEMBNO: PRED UPORABO PREBERITE!	55
2.	NAMESTITEV IN ODSTRANITEV SEDEŽA MAXI-COSITOBİ	56
3.	NAMESTITEV OTROKA V SEDEŽ MAXI-COSITOBİ	57
3.1	Uporaba sistema naramnih pasov	57
3.2	Položaji sedeža (prilagoditev sedeža v položaj za sedenje in nagnjene položaje)	58
3.3	Odstranitev otroka	58
4.	VZDRŽEVANJE	58
4.1	Splošno	58
4.2	Prevleka iz blaga	59
4.3	Delovanje in čiščenje zaponke za pas	59
5.	SPLOŠNA NAVODILA	60
6.	LOČEVANJE ODPADKOV	61
7.	AVTOSEDEŽI	61
8.	GARANCIJA	61
9.	VPRAŠANJA	62

1. POMEMBNO: PRED UPORABO PREBERITE!

Skrbno preberite navodila in jih shranite za kasnejšo uporabo. V primeru neupoštevanja navodil je lahko otrokova varnost resno ogrožena.



Uporabljajte izključno originalno dodatno opremo in dele, ki jih je odobril proizvajalec. Izdelka ne spreminjajte. Z morebitnimi pritožbami in težavami se obrnite na prodajalca.

Skladno s standardom ECE R44/04			
	Skupina	Otrokova telesna teža	Starost
Maxi-Cosi Tobi	1	9 – 18 kg	Približno 9 mesecev – 3,5 leta

2. NAMESTITEV IN ODSTRANITEV SEDEŽA MAXI-COSITOBI

Namestitev s tritočkovnim varnostnim pasom (sledite rdečim oznakam na izdelku)



Sedež Maxi-Cosi Tobi lahko namestite le na sedež, ki je obrnjen v smer vožnje in opremljen s samodejnim tritočkovnim varnostnim pasom, skladnim z ECE R16 ali enakovrednim standardom.



Pravilna namestitev varnostnega pasu je ključnega pomena za varnost vašega otroka. Sedež je treba namestiti v pravilnem zaporedju vzdolž rdečih oznak na sedežu Maxi-Cosi Tobi, oglejte si tudi etiketo na strani sedeža. **Nikoli ne nameščajte varnostnega pasu na kakšen drug način!**



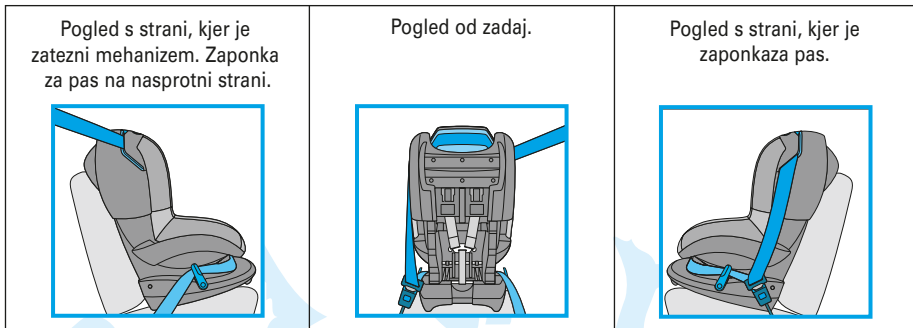
Če je naslon za glavo na avtosedežu, ki ga nameravate uporabiti za sedež Maxi-Cosi Tobi moteč, ga odstranite. Naslona po uporabi ne pozabite ponovno namestiti.

A. Namestitev

- **OPOMBA!** Pred namestitvijo sedeža Maxi-Cosi Tobi pričvrstite zložljive zadnje sedeže.
- **OPOMBA!** V nekaterih primerih so varnostni pasovi postavljeni preveč naprej. To lahko onemogoči ustrezno namestitev. V tem primeru poskusite z drugim sedežem.
- 1 • **OPOMBA!** Pred namestitvijo sedeža se s pritiskom gumba za sprostitvev (1) prepričajte, da so zategovalniki pasu v pravilnem položaju. Zategovalniki pasu morajo biti v vodoravni legi.
- 2 • **OPOMBA!** Prepričajte se, da sta odprti obe sponi varnostnega pasu (2).
- 3 4 • Sedež Maxi-Cosi Tobi namestite na avtosedež.
- Namestite varnostni pas za sedež Maxi-Cosi Tobi vzdolž in **preko** (4) zategovalnikov pasu. Prepričajte se, da je medenični pas nameščen pod školjko in nad rdečimi oznakami (3,1).
- 3 • Varnostni pas pričvrstite z zaponko za pas avtomobila (3,2).
- 5 • **OPOMBA!** Zaponka je lahko tako dolga, da sega nad okvir sedeža Maxi-Cosi Tobi. V tem primeru sedeža Maxi-Cosi Tobi ni mogoče varno namestiti. Izberite drug položaj v avtomobilu (5). Polega tega zaponko lahko polomite!
- 6 • Naramni del varnostnega pasu na strani, kjer je tudi zaponka za pas, potisnite skozi rdečo opdrtino za pas na hrbtnem naslonjalu (6).
- 7 • Nato namestite naramni del vzdolž rdečih oznak naramnega pasu na zadnjem delu sedeža Maxi-Cosi Tobi (7).
- 7 • Potisnite ga skozi drugo rdečo opdrtino za pas (7,2).
- 8 • Sedež Maxi-Cosi Tobi čvrsto potisnite v avtosedež (8,1), hkrati pa vlecite za naramni pas (8,2). Sedež Maxi-Cosi Tobi je varno nameščen v avtomobilu. Namestitev še enkrat preverite!
- 9 • Najprej v smeri zateznega mehanizma zaprite spono na strani zaponke za pas in nato še na nasprotni strani (9).
- 10 • Na koncu zategnite pas s sukanjem zategovalnikov pasu za četrto obrata navzgor v pokončni položaj (10). Varnostni pas je zdaj bolj pričvrščen.
- V večini primerov bo zaradi tega prišlo do zanke na medeničnem delu varnostnega pasu. Zaradi tega vaš otrok ne bo v nevarnosti, to je le del namestitve!
- **OPOMBA!** Prepričajte se, da sta zaprti obe sponi pasu na zgornjem delu sedeža.
- **OPOMBA!** Prepričajte se, da varnostni pas ni zvit.

SL

- Ustrezna namestitvev varnostnega pasu izgleda takole:



SL

Kontrolni seznam...

Po namestitvi iz varnostnih razlogov še enkrat preverite, da...

- je varnostni pas zategnjen in poravnan,
- je medenični del varnostnega pasu nameščen čez rdeče oznake in zategovalnike pasu,
- je (vzporedni) naramni del varnostnega pasu ustrezno nameščen skozi dve odprtini za pas vzdolž rdečih oznak na zadnjem delu sedeža Maxi-Cosi Tobi,
- sta obe sponi pasu zaprti,
- so zategovalniki pasu napeti in v pokončnem položaju,
- je sedež Maxi-Cosi Tobi varno pričvrščen v avtomobil.

B. Odstranitev sedema Maxi-Cosi Tobi

- 11 • Odprite zaponko varnostnega pasu (11).
- 12 • Zatem odprite obe sponi pasu (12).
- 13 • S pritiskom gumba sprostite zategovalnik pasu (13). Zategovalnik pasu se bo premaknil navzdol v vodoravni položaj.
- 14 • Varnostni pas odstranite iz odprtini (14).
- Sedež Maxi-Cosi Tobi odstranite iz avtomobila.

3. NAMESTITEV OTROKA V SEDEŽ MAXI-COSITOBİ

3.1 Uporaba sistema naramnih pasov


A. Prilaganje višine naramnih pasov


Pred namestitvijo otroka v sedež Maxi-Cosi Tobi in pričvrstitvijo naramnih pasov določite ustrezno višino pasov in naslona za glavo.

- 15 • S pritiskom rdečega gumba na zaponki za pas (15) jo odprite.
- Naramni pasovi se samodejno sprostijo in jih je mogoče podaljšati brez pritiskov na gumbe.
- 16 • Naramne pasove zrahljajte tako, da jih izvlečete kolikor daleč je mogoče (16).
- **OPOMBA!** Pri tem ne vlecite za blazinice na pasu.
- 17 • Otroka namestite v sedež Maxi-Cosi Tobi v sedeči položaj in preverite višino pasu (17).
- 18 • **OPOMBA!** Višina naramnih pasov je pravilna, če se pas v školjko prilega malenkost nad otrokovimi rameni (18).
- S pomočjo naslona za glavo prilagodite višino naramnih pasov.
- 19 • Za premik naramnih pasov in naslona za glavo na zeleno višino pomaknite naslon z ročajem hkrati naprej in gor ali dol (19). Naramne pasove je mogoče skupaj z naslonom za glavo nastaviti na 6 različnih višin.

SL

B. Namestitev otroka v sedež Maxi-Cosi Tobi

- Otroka namestite v sedež Maxi-Cosi Tobi v sedeči položaj.
 - 20** • Združite posamezne dele zaponke (del A na del B) in jih pričvrstite v zaponko za pas (20). Ko je zaponka zaprta, je sistem pasov blokiran in ga je mogoče le še zategovati. Če želite pasove podaljšati, morate najprej odpreti zaponko.
 - 21 22** • Z vlečenjem pasu za prilagoditev zategnite sistem naramnih pasov (21,2). Vlecite tako dolgo, da se indikator na zaponki za pas obarva zeleno (21,2). Če je še vedno srebrn, pas močneje zategnite (22). Pred vožnjo se prepričajte, da je indikator obarvan zeleno. Med vožnjo se indikator lahko ponovno obarva srebrno - kot posledica otrokovega premikanja. To je povsem običajno in ne vpliva na varnost otroka.
 - **OPOMBA!** Tesneje kot je otrok s pasovi pripet, boljša je zaščita.
 - **OPOMBA!** Prepričajte se, da je proti drsenju odporna stran blazinic na pasu pravilno nameščena na otrokova ramena/prsi.
 - **OPOMBA!** Prepričajte se, da pasovi niso zviti ali dvakrat prepognjeni.
-  Vedno uporabite blazinice na pasu, saj so ključnega pomena za varnost otroka.

-  Otrok naj se ne igra z zaponko za pas.

3.2 Položaji sedeža (prilagoditev sedeža v položaj za sedenje in nagnjene položaje)

Sedež Maxi-Cosi Tobi omogoča nastavitve 5-ih različnih položajev.

- 23** • Povlecite ročaj za nastavitev pod sprednjim delom sedeža navzgor in nato sedež povlecite ali potisnite naprej ali nazaj (23).
- Sprostite ročaj za namestitev v zelenem položaju in sedež potisnite, da se zaskoči.
- **OPOMBA!** Z vlečenjem se prepričajte, da je sedež Maxi-Cosi Tobi varno pričvrščen v zelenem položaju.

Kontrolni seznam...

Za zagotovitev optimalne varnosti otroka pred vsako vožnjo preverite, da...

- je sedež Maxi-Cosi Tobi varno pričvrščen v avtomobil,
- je višina blazinic na pasu prilagojena otroku,
- so pasovi poravnani,
- da je proti drsenju odporna stran blazinic na pasu pravilno nameščena na otrokova ramena/prsi.
- da je otrok varno nameščen v pasove, zaponka za pas zaprta in indikator obarvan zeleno,
- jermen na sedežu Maxi-Cosi Tobi ni poškodovan. Če je poškodovan, sedeža Maxi-Cosi Tobi ne uporabljajte; nemudoma se obrnite na prodajalca ali uvoznika.

3.3 Odstranitev otroka

- Sedež Maxi-Cosi Tobi nastavite v položaj za sedenje (oglejte si tudi poglavje 3.2 Položaji sedeža).
- 24** • S pritiskom rdečega gumba zaponko za pas (24) odprite.
- 25** • Naramne pasove zrahljajte tako, da jih izvlečete kolikor daleč je mogoče (25).
- Otroka vzemite iz sedeža Maxi-Cosi Tobi.

4. VZDRŽEVANJE**4.1 Splošno**

- **OPOMBA!** Te postopke izvajajte le takrat, kadar ste sedež Maxi-Cosi Tobi odstranili iz avtomobila.
- Za čiščenje plastičnih delov sedeža uporabite toplo vodo, milo in krpo. Ne uporabljajte agresivnih čistilnih sredstev.
- Dele iz blaga je mogoče očistiti po navodilih na etiketi za pranje; ročno pranje z mlačno vodo in blagim čistilnim sredstvom.
- **OPOMBA!** Nikoli ne uporabljajte mazilnih sredstev – niti za premične dele sedeža Maxi-Cosi Tobi.

4.2 Prevelka iz blaga

Odstranjevanje prevleke

- Odprite zaponko za pas.
- 24 25 • Naramne pasove zrahljajte tako, da jih izvlečete kolikor daleč je mogoče (24, 25). Snemite elastične zanke s kaveljčkov na obeh straneh ročaja za namestitvev.
- 26 27 • Elastični rob prevleke odstranite z robov školjke in prevleko na srednjem delu previdno zrahljajte (26, 27).
- Blazinico na pasu odstranite tako, da jo s strani pod kotom previdno potegnete prek zaponke za pas. Prevelko potegnite čez zaponko za pas (od zadaj naprej).
- 28 • Zrahljajte prevleko s strani na obeh straneh školjke (28).
- 29 • Zrahljajte zadnjo stranico prevleke in jo preganite naprej (29).
- 30 • Prevelko previdno odstranite s stranic (30).
- 31 • Zrahljajte prevleko za sponami pasu. Tukaj je prevleka potisnjena za spone pasu (31,1).
- 31 • Prevelko previdno povlecite preko naslona za glavo (31,2).
- Odstranite prevleko.
- 32 • Z zrahljanjem velkra in ježkov na zunanji strani odstranite blazinice na naramnih pasovih (32).
- 33 • Odstranite pas za stranico z velkrom (33).
- 34 • Kaveljček izvlecite iz zanke blazinice na pasu (34).
- 35 • Blazinico na pasu odstranite z vzmeti (35).
- Enako storite z obema blazinicama
- Ponovite zgornji postopek za obe blazinici medeničnega pasu (z izjemo kaveljčka). Blazinice medeničnega pasu so na pas pritrjene z velkrom.
- 36 • Prevelko naslona za glavo odstranite tako, da odstranite elastična pasova s spodnjega dela stranice pod plastičnim delom (36,1).
- Zrahljajte prevleko naslona za glavo na eni strani in previdno odstranite prevleko na drugi strani naslona.
- Previdno zrahljajte prevleko naslona za glavo na robu pod ročajem na vrhu naslona za glavo.
- 36 • Previdno odstranite prevleko naslona za glavo (36,2).

Čiščenje prevleke

- Prevelko in blazinice pasu umivajte ročno (pri največ 30° C). Ne uporabljajte sušilnega stroja. Preverite tudi navodila za nego na prvi strani.

Nasvet: Skupaj s sedežem Maxi-Cosi CabrioFix priporočamo nakup dodatne prevleke, da lahko sedež uporabljate tudi v primeru čiščenja ali sušenja prevleke.

Ponovno nameščanje prevleke

- Ponovite zgoraj naštetе korake v obratnem vrstnem redu!
- **OPOMBA!** Pred ponovno namestitvijo prevleke pritrdite vse štiri blazinice za pas in naslon za glavo.
- Prevelko dobro namestite po robovih sedeža.
- Prepričajte se, ali se prevleka tesno prilega in ali je varno pričvrščena.

4.3 Delovanje in čiščenje zaponke za pas in sistema za prilagoditev pasu

Pravilno delovanje zaponke za pas in sistema za prilagoditev pasu je zelo pomembno za varnost vašega otroka. Najbolj pogost razlog za nepravilno delovanje zaponke in/ali sistema za prilagoditev pasu je umazanija (prah, nesnaga, delci hrane itd.). Zaponka mora biti vedno čista, morebitno umazanijo posesajte. Če sistem za prilagoditev pasu ne deluje pravilno, se nemudoma obrnite na prodajalca ali uvoznika (za kontaktne informacije glejte hrbtno stran navodil za uporabo). V tem primeru pod nobenimi pogoji ne uporabite sedeža Maxi-Cosi Tobi!

V nadaljevanju je seznam morebitnih vzrokov okvar in predlaganih rešitev.

A. Nepravilno delovanje zaponke za pas

- Zaponka za pas se odpira (pre)počasi.
- Zaponko za pas lahko odprete le na silo.
- Zaponko za pas je zelo težko zapreti (gre le na silo).
- Zaponka se ne da več zapreti, deli zaponke se ne prilagajajo skupaj.
- Ob zapiranju zaponke ni več slišnega "klika".

B. Reševanje problemov

- Preverite, če je zaponka morda umazana in jo po potrebi očistite, npr. tako, da jo potolčete ali pa z izpiranjem, izpihovanjem ali sesanjem.
- **OPOMBA!** Nikoli ne uporabljajte maziv!

Če ne morete zapreti zaponke na pasu oz. če niste prepričani, ali ste pravilno odpravili težavo, se obrnite na prodajalca ali uvoznika (oglejte si hrbtno stran navodil za uporabo). V tem primeru sedeža Maxi-Cosi Tobi ne uporabljajte.

5. SPLOŠNA NAVODILA***Bodite pozorni na naslednje...***

- Pri vseh vožnjah, tudi če gre za krajše razdalje blizu doma, uporabljajte avtomobilski sedež, saj ravno takrat največkrat prihaja do nesreč.
- Sedež Maxi-Cosi Tobi uporabljajte samo v avtomobilu in ne doma. Avtomobilski sedeži niso oblikovani za domačo uporabo.
- Sedež Maxi-Cosi Tobi se lahko uporablja na sprednjem in zadnjem sedežu. Tudi v primeru, ko ima avto vgrajeno zračno blazino! Priporočljiva je namestitve na zadnjem sedežu. Če to ni možno in otroški sedež namestite na prvi sedež z vgrajeno zračno blazino, mora biti sovoznikov sedež potisnjen povsem nazaj. Glejte navodila za uporabo avtomobila, kajti vedno več avtomobilov ima možnost enostavne izključitve zračne blazine.
- Sedež mora biti pričvrščen tudi takrat, ko ga ne uporabljate. Nepričvrščen sedež lahko v primeru silovitega zaviranja poškoduje potnike v vozilu.
- Preverite, ali sedeža Maxi-Cosi Tobi ne ovirajo zagozdena prtljaga, prilagodljivi sedeži ali zapiranje vrat.
- Sedeža Maxi-Cosi Tobi nikoli ne uporabljajte brez prevleke. Prevleko menjajte samo z originalnimi prevlekami, saj so nujne za zagotavljanje varne uporabe sedeža.
- V primeru parkiranja avtomobila na soncu sedež pokrijte, ker se plastični in kovinski deli zelo segrejejo in lahko povzročijo opekline, prevleke pa obledijo .
- Logotipov in podobnega na prevleki ne odstranjujte, da ne poškodujete blaga.
- Preverite, da v avtomobilu (npr. na zadnji polici) ni prtljage ali drugih nepričvrščenih predmetov. V primeru silovitega zaviranja ali nesreče se lahko spremenijo v nevarne izstrelke!
- Na dolgih potovanjih se dovolj pogosto ustavljajte, da se bo vaš otrok lahko razgibal.
- Otroka v avtomobilu **nikoli** ne puščajte brez nadzora.
- Navodila za uporabo skrbno hranite v zadnjem delu sedeža Maxi-Cosi Tobi za kasnejšo uporabo.
- Nikoli ne uporabljajte rabljenih izdelkov! Nikoli namreč ne veste, kaj se je dogajalo z njimi. Proizvajalec zagotavlja varnost sedeža samo v primeru, če ga uporablja prvi lastnik.
- Uporabnik avtomobilskega sedeža in pasov ne sme spreminjati. Tudi nalepke, opozorila ipd., ki so del sedeža, ne smejo biti v nobenem primeru odstranjena!
- Po nesreči sedež Maxi-Cosi Tobi vedno zamenjajte, saj lahko postane zaradi na videz nevidnih poškodb nevaren.
- Na prevlekah sedežev ali varnostnih pasovih se lahko poznajo odtisi sedeža. Temu se ni moč izogniti, saj varnostni standardi zahtevajo močne in tesne načine pripenjanja. Zato proizvajalec ne odgovarja za poškodbe, ki so posledica tega.

In seveda ...

- Služite ostalim za vzgled in pripnite svoj varnostni pas!

6. LOČEVANJE ODPADKOV

Za učinkovito in varno uporabo sedežev ne uporabljajte več kot pet do šest let od datuma nakupa. Postarjanje plastike (na primer zaradi sončne svetlobe UV) lahko neopazno zmanjša kakovost izdelka. Ko otrok sedež preraste, ga prenehajte uporabljati in ga odvrzite na ustrezen način. Zaradi skrbi za okolje prosimo vse uporabnike, da ločijo odpadke, ki so nastali na začetku (embalaža) in na koncu (posamezni deli izdelka) življenjske dobe sedeža Maxi-Cosi Tobi.




Plastično embalažo hranite izven dosega otrok, da ne bi prišlo do zadušitve.

Embalaža	kartonasta škatla	papirnati odpadki
	plastična vrečka	gospodinjiski odpadki
Deli izdelka	prevleka iz blaga	gospodinjiski odpadki
	plastični deli	za razvrstitev v ustrezen zabojnik
	kovinski deli	zabojnik za kovine
	jermen	zabojnik za poliester
	zaponka za pas	gospodinjiski odpadki

SL

7. AVTOSEDEŽI

Vrsta avtomobilskega sedeža	Skladno s standardom ECE R44/04		
	Skupina	Otrokova telesna teža	Starost
 Maxi-Cosi Rodi XR	2 + 3	15-36 kg	Približno 3,5-12 let

8. GARANCIJA

Podjetje Dorel Netherlands jamči, da je ta izdelek proizveden v skladu s trenutnimi evropskimi varnostnimi zahtevami in standardi kakovosti, ki veljajo za ta izdelek, ter da je izdelek v času nakupa brez napak v izdelavi in materialu. Med proizvodnjo so bili za izdelek opravljeni različni pregledi kakovosti. Če so kljub našim prizadevanjem v času trajanja obdobja jamstva 24 mesecev na izdelku vidne napake v materialu ali proizvodnji (ob običajni uporabi, kot je opisana v navodilih za uporabo), se zavezujemo, da bomo ravnali v skladu s pogoji in določili jamstva. V tem primeru se obrnite na prodajalca. Če želite več informacij o uveljavljanju pogojev in določil jamstva, se lahko obrnete na prodajalca ali obiščete naše spletno mesto: www.maxi-cosi.com.

Jamstvo ni veljavno v naslednjih primerih:

- V primeru uporabe ali namena, ki se razlikuje od tistega, opisanega v priročniku.
- Če izdelek pošljete v popravilo prek prodajalca, ki ga podjetje Dorel Netherlands ni pooblastilo.
- Če izdelka ne dobavite proizvajalcu z izvirnim računom (prek prodajalca in/ali uvoznika).

- Če so popravila izvajale tretje osebe ali prodajalec, ki ga podjetje Dorel Netherlands ni pooblastilo.
- Če je poškodba nastala zaradi nepravilne ali nemarne uporabe ali vzdrževanja, malomarnosti ali poškodbe zaradi udarca v okvir in/ali prevleko iz blaga.
- Če so na sestavnih delih vidne običajne obrabe in poškodbe, ki jih je mogoče pričakovati zaradi dnevne rabe izdelka (kolesa, vrtljivi in gibljivi deli, itd.).

SL

Začetek veljavnosti:

Jamstvo začne veljati z datumom nakupa izdelka.

Trajanje jamstva:

Obdobje jamstva velja za obdobje 24 zaporednih mesecev. Jamstvo velja izključno za prvega lastnika in ga ni mogoče prenesti.

Kaj storiti v primeru okvar:

Po nakupu izdelka obdržite račun. Datum nakupa mora biti na računu na vidnem mestu. V primeru težav ali poškodb se obrnite na prodajalca. Zamenjave ali denarnega povračila za izdelek ne morete zahtevati. Podaljšanje jamstva zaradi popravil ni upravičeno. Za izdelke, ki so vrnjeni neposredno proizvajalcu, jamstvo ne velja.

To določilo glede jamstva je skladno z Evropsko direktivo 99/44/ES z dne 25. maja 1999.

9. VPRAŠANJA

V zvezi z morebitnimi vprašanji se obrnite na svojega prodajalca ali proizvajalca (glej hrbtno stran navodil za uporabo). Ob klicu pripravite naslednje podatke:

- Serijsko številko pod oranžno-belo nalepko ECE (na hrbtni strani otroškega sedeža Maxi-Cosi Tobi).
- Znamko, tip in zgradbo sedeža, na katerem je pričvrščen otroški sedež Maxi-Cosi Tobi.
- Starost (višino) in težo vašega otroka.

Уважаемые родители

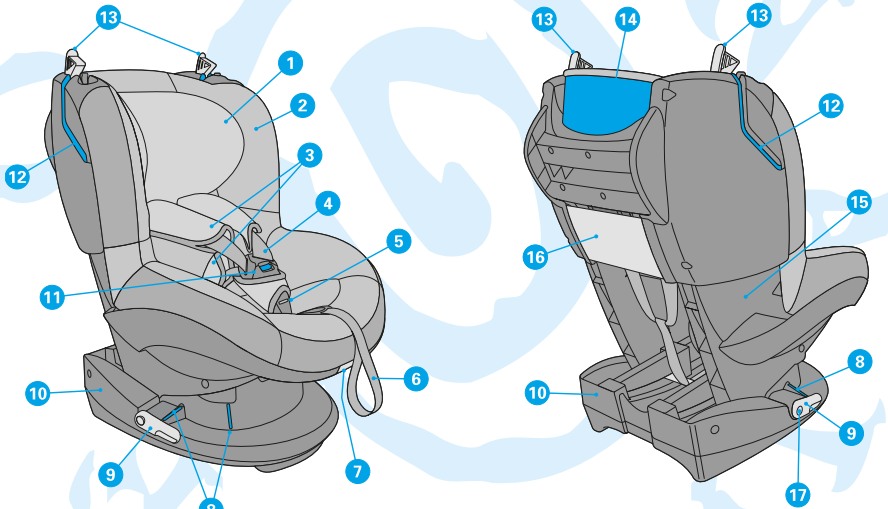
Поздравляем вас с приобретением «Maxi-Cosi Tobi».

Безопасность, простота в использовании, комфорт и дизайн сыграли важную роль при разработке данного сиденья «Maxi-Cosi Tobi», и, благодаря этому, данный товар отвечает самым строгим требованиям безопасности.

Наблюдения показали, что большой процент детских автомобильных сидений используются неправильным образом. Поэтому перед их использованием необходимо внимательно прочитать данное руководство при правильном использовании вам будет гарантирована оптимальная безопасность Вашему ребёнку.

Непрерывные исследования, проводимые нашими отделами разработки и маркетинга, подкреплённые как интенсивными контактами и консультациями с испытателями, так и покупателями и клиентами, способствуют тому, что мы продолжаем идти впереди в области обеспечения детской безопасности в автомобиле. Если у вас возникли какие-либо вопросы или комментарии по поводу использования «Maxi-Cosi Tobi», пожалуйста, обращайтесь непосредственно к нам.

Фирма «Dorel» (адреса и телефоны указаны на задней обложке руководства)



- | | |
|---|---|
| 1. Подголовник | 11. Замок ремня |
| 2. Текстильный чехол | 12. Красная паз ремня для плечевой части автомобильного ремня безопасности |
| 3. Защитные подушечки для ремней | 13. Зажим для автомобильного ремня безопасности |
| 4. Плечевые ремни – фиксирующая система | 14. Красная маркировка для плечевой части автомобильного ремня безопасности |
| 5. Индикатор натяжения ремня | 15. Корпус |
| 6. Регулируемая лента для системы ремней безопасности | 16. Кармашек для хранения руководства по эксплуатации |
| 7. Ручка регулировки корпуса | 17. Кнопка, открывающая затвор натяжителя (натяжителей) автомобильного ремня безопасности |
| 8. Красная маркировка для бедренной части автомобильного ремня безопасности | |
| 9. Натяжитель (натяжители) автомобильного ремня безопасности | |
| 10. Каркас | |

RU

Русский

RU

ОСОБЫЕ КАЧЕСТВА

Для того чтобы снизить риск неправильного обращения сиденьем и упростить его использование, в детском сиденье «Maxi-Cosi Tobi» предусмотрены следующие уникальные возможности:

- Фиксирующая система ремней безопасности, автоматически открывающаяся синхронно с открытием замка ремня.
- Индикатор на замке ремня, меняющий цвет в зависимости от степени натяжения ремня безопасности.
- Замок ремня безопасности, который одновременно служит кнопкой управления фиксирующей системой: при открытом замке контроль плечевых ремней автоматически ослабляется и ремни можно удлинить. Если замок закрыт, плечевые ремни можно затягивать до тех пор, пока индикатор не станет «ЗЕЛЁНЫМ». При этом не нужно задействовать другие кнопки.

СОДЕРЖАНИЕ

1.	ВАЖНО: СНАЧАЛА ПРОЧИТЕ!	64
2.	УСТАНОВКА И СНЯТИЕ «MAXI-COSI TOBI»	65
3.	КАК ПОСАДИТЬ РЕБЁНКА В «MAXI-COSI TOBI»	66
3.1	Использование фиксирующей системы	66
3.2	Используемые положения детского сиденья (Установка сиденья в сидячем и лежачем положениях)	67
3.3	Как вынуть ребёнка из сиденья	68
4.	УХОД	68
4.1	Общая информация	68
4.2	Текстильный чехол	68
4.3	Функционирование замка ремня безопасности и его чистка	69
5.	ОБЩИЕ ИНСТРУКЦИИ	70
6.	РАЗДЕЛЕНИЕ МУСОРА	71
7.	АВТОМОБИЛЬНЫЕ СИДЕНЬЯ	71
8.	ГАРАНТИЯ	71
9.	ВОПРОСЫ	73

1. ВАЖНО: СНАЧАЛА ПРОЧИТЕ!

Внимательно прочтите данное руководство пользователя и храните его, чтобы им можно было пользоваться как справочником. Несоблюдение инструкций данного руководства может привести к значительному снижению безопасности вашего ребёнка.



Пользуйтесь только оригинальными аксессуарами и деталями, одобренными фирмой-производителем. Не модифицируйте данный товар. В случае возникновения жалоб или проблем, свяжитесь со своим поставщиком или импортером.

Одобрено в соответствии с ECE R44/04			
	Группа	Вес ребёнка	Возраст
Maxi-Cosi Tobi	1	9-18 кг	от 9 месяцев до 3,5-х лет

2. УСТАНОВКА И СНЯТИЕ «MAXI-COSI TOBI»

Установка с использованием ремня безопасности с креплением в 3-х местах (обращайте внимание на красную маркировку, указанную на товаре).



Сиденьем «Maxi-Cosi Tobi» следует пользоваться исключительно на пассажирском месте, направленном вперёд по ходу движения автомобиля, и оснащённом автоматическим ремнём безопасности с креплением в 3-х местах, при условии, что оно отвечает европейской норме безопасности ECE R16 или другой аналогичной норме.



Правильное крепление автомобильного ремня безопасности жизненно важно для безопасности вашего ребёнка. Штатный ремень безопасности необходимо протянуть по сиденью «Maxi-Cosi Tobi» в правильной последовательности вдоль красной разметки. Обратитесь к наклейке-инструкции, прикреплённой сбоку сиденья «Maxi-Cosi Tobi». **Ремень следует протягивать только указанным способом! Никогда не протягивайте его по-другому!**



Если подголовник автомобильного сиденья, на котором будет устанавливаться детское сиденье «Maxi-Cosi Tobi» будет мешать установке, снимите его. Не забудьте поставить подголовник на место, когда им вновь будут пользоваться уже без детского сиденья.

А. Установка

- **Внимание!** Прежде чем устанавливать « Maxi-Cosi Tobi», закрепите все складывающиеся задние пассажирские места.
 - **Внимание!** У некоторых пассажирских сидений штатные ремни безопасности расположены настолько далеко впереди, что правильная установка детского сиденья невозможна. В таком случае, попробуйте другое пассажирское сиденье.
- 1 • **Внимание!** Убедитесь в том, что еще до установки сиденья натяжители автомобильного ремня находятся в правильном положении. Для этого нажмите кнопку, открывающую затвор (1). Натяжители автомобильного ремня должны находиться в горизонтальном положении.
 - 2 • **Внимание!** Убедитесь в том, что оба крепления открыты (2).
 - 3 4 • Поставьте сиденье «Maxi-Cosi Tobi» на пассажирское место.
 - 3 4 • Проложите автомобильный ремень для «Maxi-Cosi Tobi» вдоль и **поверх** (4) натяжителей ремня. Убедитесь в том, что бедренный ремень проходит под корпусом поверх красной маркировки для ремня безопасности (3,1).
 - 3 • Застегните ремень штатным замком автомобильного ремня безопасности (3,2).
 - 5 • **Внимание!** В некоторых случаях пряжка автомобильного ремня бывает настолько длинной, что автомобильный замок торчит над корпусом «Maxi-Cosi Tobi». В результате «Maxi-Cosi Tobi» невозможно прочно установить. В таком случае выберите другое место в автомобиле (5). Это также может привести к поломке замка!
 - 6 • Протяните плечевую часть автомобильного ремня через красный паз для ремня на спинке на ту сторону, где находится замок автомобильного ремня (6).
 - 7 • Затем протяните плечевую часть вдоль красной маркировки для плечевого ремня безопасности, нанесенной на задней стороне сиденья «Maxi-Cosi Tobi» (7,1).
 - 7 • Затем протяните ремень через второй красный паз для ремня наружу (7,2).
 - 8 • Теперь нужно с силой вдавить «Maxi-Cosi Tobi» в автомобильное сиденье (8,1) и одновременно хорошо затянуть плечевой ремень безопасности (8,2). Теперь сиденье «Maxi-Cosi Tobi» должно прочно стоять в вашем автомобиле. Проверьте это!
 - 9 • Сначала закройте зажим для ремня со стороны замка, а затем на другой стороне, в направлении свертывающего механизма (9).
 - 10 • И, наконец, туго затяните ремень безопасности, повернув натяжитель (натяжители) ремня на четверть оборота вверх в вертикальное положение (10). Теперь автомобильный ремень безопасности будет затянут туго!

RU

RU

- Во многих случаях при этом на бедренном ремне появляется сгиб. Однако это не опасно для вашего ребёнка и является свидетельством правильной установки!
 - **Внимание!** Следите за тем, чтобы оба зажима ремня безопасности, расположенные на сиденье сверху, были закрыты.
 - **Внимание!** Следите за тем, чтобы автомобильный ремень безопасности не был нигде перекручен.
- Ниже приведены различные ракурсы установки сиденья, иллюстрирующие правильную установку:



Контрольный перечень...

После установки в целях обеспечения общей безопасности и оптимальной безопасности вашего ребёнка еще раз проверьте:

- чтобы автомобильный ремень безопасности был туго натянут и нигде не был перекручен,
- чтобы бедренная часть автомобильного ремня проходила **по** красной маркировке и через натяжители (натяжители) ремня безопасности,
- хорошо ли закреплена плечевая (диагональная) часть автомобильного ремня и проходит ли она через оба паза для ремня безопасности, вдоль красной разметки, нанесенной на задней части сиденья «Maxi-Cosi Tobi»,
- закрыты ли оба зажима для ремня безопасности,
- находится ли натяжитель (натяжители) для ремня в натянутом, вертикальном положении,
- установлено ли «Maxi-Cosi Tobi» в автомобиле прочно и стабильно.

В. Как снять «Maxi-Cosi Tobi»

- 11 • Расстегните замок автомобильного ремня безопасности (11).
- 12 • Далее откройте оба зажима ремня безопасности (12).
- 13 • Ослабьте крепление автомобильного ремня, нажав на кнопку (13). Натяжитель ремня опустится вниз, в горизонтальное положение.
- 14 • Выньте автомобильный ремень безопасности из красных пазов (14).
- Достаньте детское сиденье «Maxi-Cosi Tobi» из машины.

3. КАК ПОСАДИТЬ РЕБЁНКА В «MAXI-COSI TOBI»

3.1 Использование фиксирующей системы

А. Как установить фиксирующие ремни на правильной высоте

Прежде чем посадить своего ребёнка в сиденье «Maxi-Cosi Tobi» и застегнуть фиксирующую систему ремней, определите правильную высоту плечевых ремней безопасности и подголовника.

- 15 • Откройте замок ремня безопасности (15), нажав на красную кнопку на замке.
- Плечевые ремни автоматически высвободятся и их можно будет удлинить, не используя при этом никаких других кнопок.
- 16 • Ослабьте плечевые ремни, потянув их как можно дальше вперёд (16).
- **Внимание!** При этом не тяните за защитные подушечки для ремней безопасности.
- 17 • Посадите ребёнка вертикально в сиденье «Maxi-Cosi Tobi» и проверьте высоту ремней (17).
- 18 • **Внимание!** Высота плечевых ремней безопасности является правильной, если ремни исчезают в корпусе чуть выше плеча ребёнка (18).
- Плечевые ремни безопасности можно регулировать по высоте в комбинации с подголовником и с его помощью.
- 19 • Для того чтобы переставить плечевые ремни безопасности и подголовник на желаемую высоту, следует одновременно двигать подголовник за ручку, расположенную сверху, вперёд и вверх или вниз (19). Плечевые ремни вместе с подголовником можно устанавливать в 6-ти различных по высоте положениях.

В. Как посадить ребёнка в «Maxi-Cosi Tobi»

- Посадите ребёнка в сиденье «Maxi-Cosi Tobi», его спина должна быть в вертикальном положении.
- 20 • Наложите друг на друга части замка (часть А на часть В) и вставьте их в замок для ремня, при этом раздается явный щелчок (20). В результате замыкания замка система ремней безопасности будет заблокирована и её можно будет затянуть только ещё туже. Для того чтобы удлинить ремни, следует сначала вновь расстегнуть замок.
- 21 22 • Теперь туго затяните фиксирующую систему ремней, потянув за регулируемую ленту (21,1). Следует тянуть до тех пор, пока индикатор на замке не станет зелёным (21,2). Если он всё ещё серебряного цвета, тогда ремень следует затянуть потуже (22). Проследите за тем, чтобы при отправлении в путь индикатор был зелёным. Иногда во время движения автомобиля из-за движений вашего ребёнка, индикатор может опять поменяться на серебряный цвет. Это нормальное явление и не несёт за собой никаких последствий для безопасности малыша.
- **Внимание!** Чем туже затянуты ремни безопасности вокруг ребёнка, тем лучше ребёнок защищён.
- **Внимание!** Позаботьтесь о том, чтобы защитные подушечки для ремней безопасности текстурированной (противоскользкой) стороной хорошо сидели на плечах / груди ребёнка.
- **Внимание!** Следите за тем, чтобы ремни не были перекручены или не были сдвоены.



Всегда пользуйтесь защитными подушечками для ремня безопасности, они важны для безопасности вашего ребёнка.



Объясните ребёнку, что ему нельзя играть с замком ремня безопасности.

3.2 Используемые положения сиденья (Установка сиденья в сидячем и лежачем положении)

Сиденье «Maxi-Cosi Tobi» можно устанавливать в 5-ти положениях.

- 23 • Потяните вверх ручку регулировки, расположенную спереди под сиденьем, и потяните сиденье вперёд или назад (23).
- Отпустите ручку регулировки в нужном вам положении и давите, пока не услышите чёткий щелчок.
- **Внимание!** Для того чтобы проверить, зафиксировано ли сиденье «Maxi-Cosi Tobi» в необходимом вам положении, следует потянуть за него.

Контрольный перечень...

Перед каждой поездкой для обеспечения общей безопасности и оптимальной безопасности вашего ребёнка, проверяйте...

- прочно и стабильно ли, в целом, установлено в машине сиденье «Maxi-Cosi Tobi»,
- на правильной ли высоте расположены плечевые ремни безопасности,
- не перекручены ли ремни,
- хорошо ли лежат защитные подушечки для ремней безопасности текстурированной (противоскользкой) стороной на плечах / груди ребёнка,

- туго ли закреплён ребёнок фиксирующей системой, закрыт ли замок ремня, и зелёного ли цвета индикатор,
- не повреждена ли лампа ремня безопасности в «Maxi-Cosi Tobi». Если она повреждена, ни в коем случае не пользуйтесь таким «Maxi-Cosi Tobi», и немедленно свяжитесь со своим поставщиком или импортёром.

3.3 Как вынуть ребёнка из сиденья

- Поставьте «Maxi-Cosi Tobi» в положение для сидения (см. также главу 3.2: «Используемые положения сиденья»).
- 24 • Расстегните замок ремня безопасности, нажав на красную кнопку, расположенную на самом замке (24).
- 25 • Ослабьте плечевые ремни, потянув плечевые ремни как можно дальше на себя (25).
- Выньте своего ребёнка из «Maxi-Cosi Tobi».

4. УХОД

4.1 Общая информация

- **Внимание!** Осуществляйте эти действия только в том случае, если детское сиденье «Maxi-Cosi Tobi» вынута из машины.
- Пластмассовые части сиденья следует мыть тёплой водой с мылом, используя текстильную салфетку. Не пользуйтесь для этого никакими агрессивными чистящими средствами.
- Текстильные части сиденья можно чистить согласно указанной на ярлыке информации о стирке; стирать руками в тёплой воде, не агрессивным средством для стирки.
- **Внимание! Никогда** не используйте смазочные средства даже для движущихся частей детского сиденья «Maxi-Cosi Tobi».

4.2 Текстильный чехол

Как снять чехол

- 24 25 • Расстегните замок. Ослабьте плечевые ремни безопасности, потянув их вперёд, насколько это возможно (24, 25). Снимите с крючков резинки в виде петель по обеим сторонам от ручки регулировки.
- 26 27 • Снимите эластичный край чехла с желобков корпуса и осторожно открепите чехол спереди (26, 27).
- Снимите защитную подушечку для замка, потянув её осторожно, в сторону наискосок – через замок ремня. Протяните замок ремня через чехол (в направлении сзади - вперёд).
- 28 • Отстегните чехол от боковых точек с обеих сторон корпуса (28).
- 29 • Отстегните клапан спинки от чехла и согните его вперёд (29).
- 30 • Осторожно снимите чехол с боковых сторон (30).
- 31 • Ослабьте чехол позади зажимов для ремня. Здесь чехол прижат зажимами для ремней (31,1).
- 31 • Теперь осторожно вытяните чехол через подголовник (31,2).
- Снимите чехол.
- 32 • Уберите защитные подушечки для плечевых ремней безопасности, расстегнув липучку и кнопки на внешней стороне (32).
- 33 • Снимите ремень за клапаном с липкой лентой (33).
- 34 • Сдвиньте пряжку с петли защитной подушечки (34).
- 35 • Снимите защитную подушечку с пружины (35).
- Протрите это с обеими защитными подушечками.
- Повторите вышеописанные действия, за исключением действий с пряжкой, при снятии защитных подушечек для бедренных ремней безопасности. Защитные подушечки для бедренных ремней закрепляются на ремне с помощью липкой ленты.
- 36 • Обшивку с подголовника следует убрать, сняв две резинки нижнего клапана, которые расположены под пластмассовой частью (36,1).
- Ослабьте обшивку подголовника с одной стороны снизу и осторожно снимите чехол с этой стороны подголовника.

- Аккуратно ослабьте обшивку подголовника у желобка под ручкой сверху подголовника.
- Теперь аккуратно снимите обшивку с подголовника (36,2).

Чистка текстильного чехла

- Чехол и защитные подушечки для ремня безопасности следует стирать руками (максимальная температура воды 30°C). Не сушите их в сушильной машине. Обратитесь к инструкции по стирке, указанной на самом чехле.

Совет: Мы советуем вам приобрести дополнительный чехол еще при покупке детского сиденья «Maxi-Cosi Tobi», в результате вы сможете продолжать пользоваться «Maxi-Cosi Tobi» даже тогда, когда один чехол будет находиться в стирке или сохнуть.

Как надеть чехол на сиденье

- Выполните в обратном порядке все описанные выше действия!
- **Внимание!** Прежде чем надеть чехол на сиденье, закрепите 4 защитные подушечки и обшивку подголовника.
- Тщательно проденьте чехол во все специальные желобки на корпусе.
- Проверьте, везде ли чехол туго натянут и прочно ли он сидит.

4.3 Работа и чистка замка ремня безопасности и системы регулировки ремней

Хорошая работа замка ремня безопасности и системы регулировки ремней очень важна для безопасности вашего ребёнка. Неисправности замка ремня и системы регулировки ремней безопасности в большинстве случаев происходят из-за загрязнения (пыль, грязь, остатки пищи и т.д.). Заботьтесь о том, чтобы замок и система регулировки ремней были чистыми, пылесосьте их, например, с помощью пылесоса.

В том случае, когда система регулировки ремней функционирует плохо, вам следует незамедлительно связаться с поставщиком или импортёром (для справки см. сзади на руководстве по эксплуатации). Ни в коем случае не пользуйтесь таким неисправным сиденьем «Maxi-Cosi Tobi»!

В приведённом ниже списке указано несколько возможных функциональных неисправностей и соответствующее техническое решение.

A. Неисправности замка ремня безопасности

- При открывании части замка ремня выталкиваются замедленно.
- Замок открывается только с применением силы.
- Фиксация щелчком частей замка в самом замке проходит не очень гладко (большое сопротивление).
- Замок больше не закрывается, части замка каждый раз выталкиваются.
- При закрытии замка ремня безопасности неслышно чёткого щелчка.

B. Устранение неисправностей

- Проверьте, не загрязнился ли замок, и при необходимости прочистьте его. Это можно сделать, слегка постучав им, чтобы выбить грязь из замка, промыть его, продуть его или высосать грязь с помощью, например, пылесоса.
- **Внимание!** Никогда не пользуйтесь смазочными средствами!

Если вам не удаётся хорошо закрыть замок ремня безопасности или вы не уверены, что вы устранили возникшую неисправность, сразу же свяжитесь с поставщиком или импортёром (см. заднюю обложку руководства по эксплуатации). Ни в коем случае не пользуйтесь неисправным сиденьем «Maxi-Cosi Tobi»!

RU

5. ОБЩИЕ ИНСТРУКЦИИ

Всегда обращайтесь внимание на следующее...

- Всегда пользуйтесь детским сиденьем, даже в случае непродолжительных поездок на небольшое расстояние, так как именно в таких ситуациях и происходит большинство несчастных случаев.
- Сиденьем «Maxi-Cosi Tobi» следует пользоваться только в машине, а не дома. Детское автомобильное сиденье не предназначено для использования его дома.
- Сиденье «Maxi-Cosi Tobi» можно использовать как на переднем, так и на задних сиденьях автомобиля, даже если есть воздушная подушка! Однако мы советуем устанавливать детское сиденье на заднем автомобильном сидении. В тех случаях, когда это сделать невозможно, проследите за тем, чтобы переднее сиденье было отодвинуто в самое крайнее положение назад, когда есть воздушная подушка. Посмотрите для справки также руководство по эксплуатации автомобиля. Появляется всё больше и больше машин, где воздушную подушку можно очень просто отключить.
- Сиденье всегда должно фиксироваться автомобильным ремнём безопасности, даже тогда, когда им не пользуются. Непристёгнутое детское сиденье может при аварийной остановке поранить других пассажиров.
- Убедитесь в том, что «Maxi-Cosi Tobi» не заложено тяжёлым багажом или зажато при регулировке положения пассажирского сиденья или при закрытии дверцы.
- Запрещается использовать «Maxi-Cosi Tobi» без чехла. Запрещается менять чехол на другую обшивку, не от фирмы-производителя, так как чехол является неотъемлемой частью системы общей безопасности детского сиденья.
- Всегда накрывайте «Maxi-Cosi Tobi», если вы паркуете машину под палящими лучами солнца, так как синтетические и металлические части могут нагреться, что, в свою очередь, может привести к ожогам или к выгоранию чехла.
- Не удаляйте логотип и другие подобные элементы чехла, чтобы не повредить его.
- Позаботьтесь о том, чтобы в машине не было багажа и других, не закреплённых предметов (например, расположенных сзади на багажной полке). В случае аварийной остановки или при столкновении они могут поранить пассажиров!
- В случае продолжительной поездки следует регулярно останавливаться, чтобы дать вашему ребёнку подвигаться.
- **Никогда** не оставляйте ребёнка одного без присмотра.
- Храните данное руководство под рукой, в отведённом для него отсеке, расположенном сзади на сиденьи «Maxi-Cosi Tobi».
- Никогда не пользуйтесь подержанным товаром, вы никогда не знаете, что с ним происходило. Фирма-производитель гарантирует безопасность детского сиденья только в случае использования его первым владельцем.
- Пользователю запрещается каким-либо образом модифицировать как детское автомобильное сиденье, так и ремни безопасности. Ни в коем случае не удаляйте ярлыки, предупреждения и др. элементы, которые являются составной частью сиденья!
- Всегда заменяйте сиденье «Maxi-Cosi Tobi» после несчастного случая, так как из-за незаметных повреждений оно может стать небезопасным.
- Фирма-производитель подтверждает тот факт, что детское автомобильное сиденье может оставлять вмятины на обшивке сиденья автомобиля или ремнях безопасности. Этого, однако, невозможно избежать в связи с установленной стандартами безопасности силы, с которой оно должно быть затянато. Фирма-производитель не несет никакой ответственности за какое-либо повреждение, которое может появиться в результате этого.

И обязательно...

- Показывайте хороший пример и всегда пристёгивайтесь штатными автомобильными ремнями безопасности!

6. РАЗДЕЛЕНИЕ МУСОРА

Для оптимального и безопасного использования детского автомобильного сиденья, не следует пользоваться им более 5-ти лет со дня покупки. В связи с медленным старением пластмассы, среди всего прочего под действием солнечных лучей (УФ) свойства товара могут незаметно ухудшаться. Если ваш ребёнок вырос из своего сиденья, мы советуем вам больше не использовать данное детское сиденье и выбросить его на мусорку.

Забываясь о защите окружающей среды, мы просим пользователя разделять мусор, образующийся в процессе использования «Maxi-Cosi Tobi» с момента начала использования товара (упаковка) и до момента его утилизации (детали товара).



Храните пластиковую упаковку вне досягаемости детей во избежание их удущения.

Упаковка	Картонная коробка	Макулатура
	Пластиковый пакет	Бытовые отходы
Части товара	Текстильный чехол	Бытовые отходы
	Пластмассовые части	В соответствии с типом соответствующего контейнера
	Металлические части	Контейнер для металла
	Лента ремня безопасности	Контейнер для полиэстера
	Пряжка ремня безопасности	Бытовые отходы

7. АВТОМОБИЛЬНЫЕ СИДЕНЬЯ

Тип автомобильного сиденья	Утверждено согласно ECE R44/04		
	Группа	Вес ребёнка	Возраст
 Maxi-Cosi Rodi XR	2 + 3	От 15 до 36 кг	От 3,5 до 12 лет

RU

8. ГАРАНТИЯ

Мы гарантируем, что это изделие было изготовлено в соответствии с современными европейскими стандартами безопасности и требованиями качества, которые применимы к данному изделию, а также то, что это изделие на момент приобретения розничным продавцом не имеет дефектов вследствие некачественного изготовления или дефектов материала. Во время производственного процесса изделие было подвержено различным проверкам качества. Если это изделие, несмотря на наши усилия, проявит дефект материала/изготовления в течение гарантийного срока 24 месяца (при нормальном использовании, описанном в руководстве пользователя), мы обязуемся соблюдать условия гарантии. В таком случае, пожалуйста, свяжитесь с вашим дилером. Для более детальной информации о применении условий гарантии, вы можете связаться с вашим дилером или посетить наш веб-сайт: www.maxi-cosi.com.

Гарантия недействительна в следующих случаях:

- В случае использования не по назначению, описанному в руководстве.
- Если изделие отправлено на ремонт через распределителя продуктов фирмы, который нами не признан.
- Если изделие возвращено производителю без подлинного товарного чека (через продавца и/или импортера).
- Если ремонт осуществлялся третьими лицами или распределителем продуктов фирмы, которые нами не признаны.
- Если неполадка возникла вследствие неправильного или невнимательного использования или обслуживания, небрежности или повреждения от удара, нанесенного текстильному покрытию и/или раме.
- Если детали выглядят изношенными, что может быть из-за ежедневного использования изделия (колеса, вращающиеся и движущиеся части и т.д.)

Дата вступления в силу:

Гарантия вступает в силу со дня приобретения изделия.

Гарантийный срок:

Гарантийный срок равен 24 месяцам. Гарантия действительна только для первого владельца, без права передачи.

Что делать в случае неполадок:

После приобретения изделия, сохраните товарный чек. Дата приобретения должна быть четко видна на товарном чеке. В случае проблем или неполадок обратитесь к продавцу. Нельзя требовать замены или возвращения продукта. Починки не дают права на продление гарантии. Изделия, возвращенные непосредственно производителю, не подлежат гарантии.

Этот пункт гарантии соответствует европейской директиве 99/44/ EG от 25 мая 1999 г.

ГАРАНТИЯ

9. ВОПРОСЫ

Если у вас возникли вопросы, вы можете позвонить своему поставщику или импортёру (см. заднюю обложку руководства по эксплуатации) Позаботьтесь о том, чтобы у вас под рукой были следующие данные:

- Серийный номер, указанный внизу на оранжевой наклейке ECE (на задней стороне «Maxi-Cosi Tobi»).
- Марка, тип и год сборки автомобиля и сиденья, на котором будет использоваться «Maxi-Cosi Tobi».
- Возраст (рост) и вес ребёнка.

RU

**Брошюра с инструкцией
по применению**

Уважаеми родители!

Поздравяваме Ви за покупката на столчето за кола Maxi-Cosi Tobi.

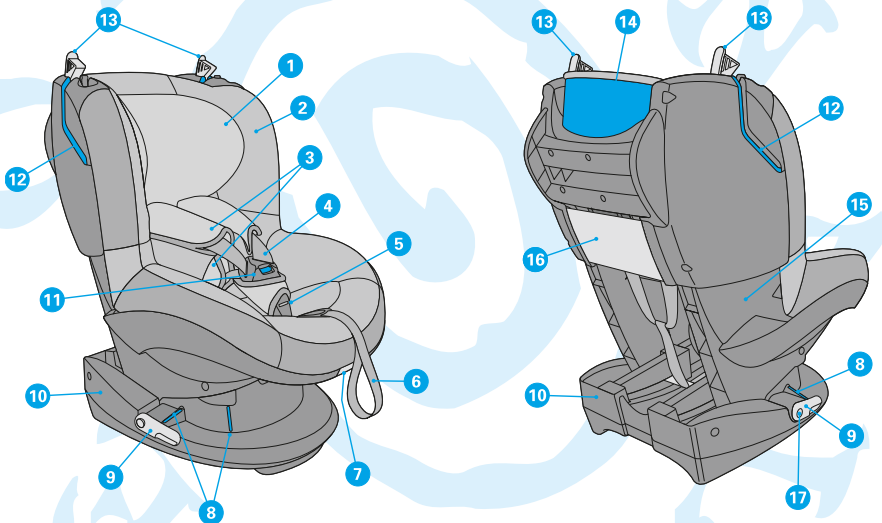
При разработката на столчето за кола Maxi-Cosi Tobi се водехме от съображения за безопасност, хубав дизайн, удобство и лесна употреба. Този продукт е в съответствие с най-строгите изисквания за безопасност.

BG

Изследванията сочат, че много от детските столчета за кола се използват неправилно. Затова е много важно да прочетете внимателно всички указания в това упътване за употреба. Столчето Maxi-Cosi Tobi трябва да се използва съобразно упътването, за да се гарантира оптимална сигурност за Вашето дете.

Проучванията, проведени от нашия отдел за разработка, маркетинговите ни отдели, потребителските тестове и отзивите от страна на клиентите ни помагат да произвеждаме продукти в съответствие с най-новите достижения в областта на детската безопасност. Ако имате въпроси относно използването на столчето за кола Maxi-Cosi Tobi, не се колебайте да се свържете с нас.

Dorel (за адрес и телефонен номер вижте обратната страна на упътването за употреба)



- | | |
|---|---|
| 1. Облегалка за глава | 11. Закопчалка за колана |
| 2. Калъфка от плат | 12. Червени маркировки за раменния колан на седалката |
| 3. Подложки на колана | 13. Скоба за колана на седалката на колата |
| 4. Раменни колани – ремъчна система | 14. Червени маркировки отзад на колана на седалката |
| 5. Индикатор за затягането на колана | 15. Корпус |
| 6. Ремък за регулиране на коланната система | 16. Отделение за съхранение на упътването за употреба |
| 7. Регулиращ бутон на седалката | 17. Бутон за освобождаване на механизма за затягане на колана |
| 8. Червени маркировки за долната част на предпазния колан | |
| 9. Механизъм за затягане на колана на седалката | |
| 10. Основа | |

Български

ХАРАКТЕРНИ ОСОБЕНОСТИ

С цел намаляване на вероятността от неправилна употреба, както и за по-лесно използване, столчето Maxi-Cosi Tobi разполага със следните характерни особености:

- Ремъчна коланна система, която се "отключва" сама след отколчаването на колана;
- Индикатор на закопчалката за колана, по чиито цвят може да разберете дали коланите са затегнати правилно;
- Закопчалка за колана, която служи и като бутон за контролиране на коланната система, т.е. когато закопчалката е освободена, раменните колани автоматично се освобождават, като така можете да ги удължите. Когато закопчалката е затворена, можете да затягате раменните колани, докато индикаторът е "ЗЕЛЕН". Не е необходимо допълнително боравене с други бутони.

BG

СЪДЪРЖАНИЕ

1.	ВАЖНО: ПЪРВО ПРОЧЕТЕТЕ!	75
2.	ПОСТАВЯНЕ И МАХАНЕ НА СТОЛЧЕТО MAXI-COSI TOBI	76
3.	КАК ДА ПОСТАВИТЕ ВАШЕТО ДЕТЕ В СТОЛЧЕТО MAXI-COSI TOBI	77
3.1	Използване на ремъчната система	77
3.2	Положения на столчето (настройване на столчето в седнало и наклонено положение)	78
3.3	Как да извадите Вашето дете от столчето	79
4.	ПОДДРЪЖКА	79
4.1	Обща информация	79
4.2	Калъфка от плат	79
4.3	Функциониране и почистване на закопчалката за колана	80
5.	ОСНОВНИ УКАЗАНИЯ	80
6.	РАЗДЕЛНО ИЗХВЪРЛЯНЕ НА ОТПАДЪЦИТЕ	81
7.	СТОЛЧЕТА ЗА КОЛА	82
8.	ГАРАНЦИЯ	82
9.	ВЪПРОСИ	83

1. ВАЖНО: ПЪРВО ПРОЧЕТЕТЕ!

Прочетете внимателно упътването за употреба и го запазете за бъдещи справки. Неспазването на указанията в това упътване за употреба може да доведе до нараняване на Вашето дете.



Използвайте само оригинални аксесоари и части, одобрени от производителя. Не правете никакви промени по този продукт. Ако възникнат проблеми или имате оплаквания, свържете се с Вашия доставчик или с вносителя на продукта.

Съгласно ECE R44/04 продуктът е подходящ за:			
	Група	Тегло на детето	Възраст
Maxi-Cosi Tobi	1	9–18 кг	Приблизително от 9 месеца до 3,5 години

2. ПОСТАВЯНЕ И МАХАНЕ НА СТОЛЧЕТО MAXI-COSI TOBI

Поставянето се извършва с помощта на предпазен колан с 3 точки на закрепване (следвайте червените маркировки на столчето)



Предназначено за употреба в коли, които разполагат с лицева седалка с автоматичен предпазен колан с 3 точки на закрепване, който е одобрен в съответствие с изискванията на стандарта ECE R16 или друг еквивалентен стандарт.



Правилното свързване на предпазния колан на колата е от съществено значение за сигурността на Вашето дете. Колана на колата трябва да се свърже в правилната последователност покрай червените маркировки на столчето Maxi-Cosi Tobi. За допълнителна информация вижте етикета от страни на столчето Maxi-Cosi Tobi. **Никога не свързвайте предпазния колан по начин, който е различен от описания тук!**



Махнете облегалката за глава (ако тя ви пречи) на седалката, на която искате да поставите столчето Maxi-Cosi Tobi. Не забравяйте да поставите обратно облегалката за глава, когато използвате отново седалката.

A. Поставяне

- **ЗАБЕЛЕЖКА!** Заклучете сгъващите се задни седалки на колата преди да поставите столчето Maxi-Cosi Tobi;
- **ЗАБЕЛЕЖКА!** В някои случаи коланите на седалките са поставени твърде напред. Това ще направи поставянето на столчето невъзможно. В такъв случай опитайте да използвате друга седалка;
- 1** • **ЗАБЕЛЕЖКА!** Преди да поставите столчето се уверете, че механизмите за затягане са правилно позиционирани, като натиснете бутона за освобождаване (1). Механизмите за затягане на коланите трябва да са в хоризонтално положение;
- 2** • **ЗАБЕЛЕЖКА!** Уверете се, че двете скоби за колан на седалката са отворени (2);
- Поставете столчето Maxi-Cosi Tobi на седалката на колата;
- 3 4** • Поставете предпазния колан за столчето Maxi-Cosi Tobi **отгоре** през механизмите за затягане (4). Уверете се, че долният колан минава под корпуса и над червените маркировки за колан (3,1);
- 3** • Шракнете предпазния колан в закопчалката за колан на колата (3,2);
- 5** • **ЗАБЕЛЕЖКА!** Възможно е закопчалката за предпазния колан да е толкова дълга, че да се издава над основата на столчето Maxi-Cosi Tobi. В такъв случай столчето Maxi-Cosi Tobi няма да може да бъде закрепено добре. Ако такъв е случаят и при Вас, изберете друго място в колата (5). Освен това, по този начин закопчалката може да се счупи;
- 6** • Прекарайте раменния колан към страната, на която се намира закопчалката за колан на колата, както и през червения прорез за колан на облегалката за гръб (6);
- 7** • След това прекарайте раменния колан покрай червените маркировки за раменния колан, намиращи се отзад на столчето Maxi-Cosi Tobi (7);
- 7** • Прекарайте колана през втория червен прорез за колан (7,2);
- 8** • Натиснете столчето Maxi-Cosi Tobi силно към седалката на колата (8,1), като в същото време затегнете здраво раменния колан (8,2). Сега столчето Maxi-Cosi Tobi е закрепено стабилно в автомобила. Проверете два пъти!
- 9** • Затворете скобата откъм закопчалката за колана, а след това затворете и скобата от другата страна по посока на механизма за изтегляне (9);
- 10** • Накрая затегнете колана, като завъртите механизма за затягане нагоре във вертикално положение (10). Предпазният колан сега трябва да е затегнат още по-здраво;
- В повечето случаи това ще доведе до извиване на долния колан. Въпреки това, това не е опасно за Вашето дете и е важно за правилното поставяне на столчето.
- **ЗАБЕЛЕЖКА!** Уверете се, че и двете скоби за колан на седалката за затворени.
- **ЗАБЕЛЕЖКА!** Уверете се, че предпазният колан на автомобила не е усукан.

- Така ще изглежда столчето от различните му страни, след като предпазният колан е поставен правилно:



BG

Проверете следните неща:

За да гарантирате оптимална сигурност за Вашето дете, проверете следните детайли, след като сте поставили столчето:

- Предпазният колан е колкото се може по-затегнат и не е усукан;
- Долната част на предпазния колан е прекарана през червените маркировки за колан и механизмите за затягане;
- Диагоналният раменен колан е завързан правилно и минава през двата прореза за колан покрай червените маркировки на задната страна на столчето Maxi-Cosi Tobi;
- И двете скоби за колан са затворени;
- Механизмите за затягане са в затегнато вертикално положение;
- Столчето Maxi-Cosi Tobi е поставено добре и е закрепено стабилно в колата.

Б. Махане на столчето Maxi-Cosi Tobi

- 11 • Освободете закопчалката за предпазния колан (11);
- 12 • След това отворете и двете скоби за колан (12).
- 13 • Освободете механизма за затягане, като натиснете съответния бутон (13). Сега можете да преместите механизма за затягане надолу в хоризонтално положение;
- 14 • Извадете предпазния колан от прорезите за колан (14);
- Извадете столчето Maxi-Cosi Tobi от колата.

3. КАК ДА ПОСТАВИТЕ ВАШЕТО ДЕТЕ В СТОЛЧЕТО MAXI-COSI TOBI

3.1 Използване на ремъчната система

А. Настройване на височината на ремъка

Преди да поставите Вашето дете в столчето Maxi-Cosi Tobi и да го вържете с колана, първо трябва да определите правилната височина на раменните колани и облегалката за глава.

- 15 • Освободете закопчалката за колан (15), като натиснете нейния червен бутон;
- Раменните колани ще се освободят автоматично и ще може да ги удължите (без да е необходимо да натискате други бутони);
- 16 • Разхлабете раменните колани и ги издърпайте колкото се може по-към вас (16);
- **ЗАБЕЛЕЖКА!** Не дърпайте подложките на коланите при разхлабването на раменните колани;

- 17 • Поставете Вашето дете с изправен гръб в столчето Maxi-Cosi Tobi, след което проверете височината на колана (17);
- 18 • **ЗАБЕЛЕЖКА!** Правилната височина на раменните колани е достигната, когато коланът се скрива в корпуса на столчето малко над раменете на вашето дете (18);
- Настройте височината на раменните колани, като се водите от облегалката за глава;
- 19 • За да преместите раменните колани и облегалката за глава на желаната височина, хванете облегалката за глава за дръжката отгоре, след което я преместете едновременно напред и съответно нагоре или надолу (19). Раменните колани и облегалката за глава могат да бъдат настроени на 6 различни височини.

Б. Как да поставите Вашето дете в столчето Maxi-Cosi Tobi

- Поставете вашето дете с изправен гръб в столчето Maxi-Cosi Tobi;
- 20 • Съберете заедно катарамите (част А и Б), след което ги "щракнете" в закопчалката за колана (20). Когато закопчалката е затворена, коланната система е блокирана и може само да бъде затянана допълнително. Ако искате да удължите коланите, първо трябва отново да освободите закопчалката;
- 21 22 • Сега издърпайте ремъчната система, като издърпате регулиращия колан (21,1). Дърпайте колана, докато индикаторът на закопчалката за колана стане зелен (21,2). Ако индикаторът продължава да е сребрист, затегнете още колана (22). Уверете се, че индикаторът е зелен, преди да потеглите. Докато шофирате, възможно е индикаторът да стане отново сребрист в резултат на движенията на детето. Това е нормално и не влияе на безопасността на детето.
- **ЗАБЕЛЕЖКА!** Колкото по-стегнати са коланите около детето, толкова по-добре защитено ще бъде то;
- **ЗАБЕЛЕЖКА!** Уверете се, че подплатените (нехлъзгави) страни на подложките на колана са правилно позиционирани на раменете/гърдите на вашето дете;
- **ЗАБЕЛЕЖКА!** Уверете се, че коланите не са усукани или прегънати.



Винаги използвайте подложките на коланите, тъй като те са от съществено значение за сигурността на вашето дете.



Инструктирайте детето си никога да не си играе със закопчалката за колана.

3.2 Положения на столчето (настройване на столчето в седнало и наклонено положение)

Столчето Maxi-Cosi Tobi може да се настройва на 5 различни положения.

- 23 • Издърпайте нагоре регулиращата ръчка под предната част на столчето, след което издърпайте или избутайте столчето напред или назад (23).
- Освободете регулиращата ръчка в желаното положение, след което я избутайте, докато чуете щракване.
- **ЗАБЕЛЕЖКА!** Дръпнете столчето Maxi-Cosi Tobi, за да проверите дали то е добре фиксирано в желаното от Вас положение.

Проверете следните неща:

- За да гарантирате оптимална сигурност за Вашето дете, преди всяко пътуване проверявайте следното:
- Столчето Maxi-Cosi Tobi е поставено добре и закрепено здраво в колата;
 - Височината на раменните колани е подходяща за Вашето дете;
 - Коланите не са усукани;
 - Подплатените (нехлъзгави) страни на подложките на колана са правилно позиционирани на раменете/гърдите на Вашето дете;
 - Вашето дете е здраво пристегнато с коланите, закопчалката за колана е затворена, а индикаторът е в зелено;
 - Ремъците на столчето Maxi-Cosi Tobi не са повредени. Ако те са повредени, не използвайте столчето Maxi-Cosi Tobi при никакви обстоятелства, а се свържете незабавно със съответния дистрибутор или вносител на продукта.

3.3 Как да извадите Вашето дете от столчето

- Поставете столчето Maxi-Cosi Tobi в седнало положение (вижте също раздела 3.2 – "Положения на столчето");
- 24** • Освободете закопчалката за колан, като натиснете нейния червен бутон (24);
- 25** • Разхлабете раменните колани и ги издърпайте към Вас колкото се може повече (25);
- Извадете Вашето дете от столчето Maxi-Cosi Tobi.

4. ПОДДРЪЖКА

4.1 Обща информация

- **ЗАБЕЛЕЖКА!** Винаги махайте столчето Maxi-Cosi Tobi от колата преди да извършвате която и да била от долните процедури по поддръжка.
- Използвайте хладна вода, сапун и парцал за почистване на пластмасовите части на столчето. Не използвайте абразивни почистващи препарати.
- Частите от плат могат да бъдат почиствани съобразно указанията за пране на съответния етикет – ръчно изпиране в хладна вода с мек перилен препарат.
- **ЗАБЕЛЕЖКА! Никога** не използвайте смазващи вещества, дори и за движещите се части от столчето Maxi-Cosi Tobi.

4.2 Калъфка от плат

Сваляне на калъфката

- 24 25** • Освободете закопчалката за колана. Разхлабете раменните колани и ги издърпайте към Вас колкото се може повече (24, 25);
- Откачете ластичните примки от кукичките от двете страни на регулиращата ръчка;
- 26 27** • Махнете ластичния край на калъфката от краищата на корпуса, след което разхлабете внимателно калъфката от предната страна (26, 27);
- Махнете подложката на закопчалката за колана, като я издърпате внимателно настрани и под ъгъл над закопчалката за колана. Прекарайте калъфката над закопчалката за колана (отзад напред);
- 28** • Разхлабете калъфката от страничните точки и от двете страни на корпуса (28);
- 29** • Разхлабете долната подложка на калъфката и я сгънете напред (29);
- 30** • Свалете внимателно калъфката от всички страни (30);
- 31** • Разхлабете калъфката зад скобите за колан. Тук калъфката е избутана зад скобите за колан (31,1);
- 31** • Сега внимателно издърпайте калъфката над облегалката за глава (31,2);
- Свалете калъфката;
- 32** • Махнете подложките на раменните колани, като откопчаем закопчалките и разхлабете велкро лепенката (32);
- 33** • Извадете колана отзад на подложката на калъфката с помощта на велкро лепенката (33);
- 34** • Плъзнете кукичката извън примката на подложката на колана (34);
- 35** • Свалете подложката на колана (35);
- Извършете тази процедура и за двете подложки на коланите;
- Повторете горната процедура отново (с изключение на кукичката), за да свалите и двете подложки на долния колан. Подложките на долния колан са закрепени към колана с помощта на велкро лепенки;
- 36** • Свалете калъфката на облегалката за глава, като махнете двете ластични ленти от долната подложка на калъфката под пластмасовата част (36,1);
- Разхлабете калъфката на облегалката за глава от едната страна, след което внимателно свалете калъфката от същата страна на облегалката за глава;
- Разхлабете внимателно от края калъфката на облегалката за глава под дръжката отгоре на самата облегалка;
- 36** • Сега внимателно свалете калъфката на облегалката за глава (36,2).

Почистване на калъфката

- Изперете на ръка калъфката и подложките на коланите (при температура от максимум 30°C). Не ги слагайте в сушилня. Също така вижте указанията за поддръжка на самата калъфка.

Съвет: Препоръчително е да закупите допълнителна калъфка при закупуване на столчето Maxi-Cosi Tobi, така че да можете да го използвате по всяко време, дори когато перете или сушите калъфката.

Повторно поставяне на калъфката

- Повторете горните стъпки, но в обратен ред;
- **ЗАБЕЛЕЖКА!** Първо поставете 4-те подложки на коланите и калъфката на облегалката за глава преди да поставяте обратно калъфката на столчето;
- Плъзнете калъфката добре в ръбовете за калъфката покрай целия корпус;
- Уверете се, че калъфката е добре поставена и закрепена правилно.

4.3 Функциониране и почистване на закопчалката на колана и на системата за настройка на колана

Правилното функциониране на закопчалката за колана и на системата за настройка на колана е от съществено значение за сигурността на вашето дете. Най-често закопчалката и/или системата за настройка на колана не функционират правилно вследствие на замърсяване (от прах, мръсотия, частици храна и т.н.). Уверете се, че закопчалката на колана е винаги чиста, като я почиствате с прахосмукачка. Ако системата за настройка на колана не функционира правилно, се свържете незабавно с вашия доставчик или вносителя на продукта (вижте обратната страна на упътването за употреба за телефони за контакт). В никакъв случай не използвайте столчето Maxi-Cosi Tobi!

По-долу е представен списък с възможни причини за нефункциониране на закопчалката, както и евентуални решения на проблемите.

А. Неизправност на закопчалката на колана

- При отваряне на закопчалката за колана, катарамите се освобождават бавно.
- Закопчалката за колана може да се отвори само със значителна сила.
- Трудно е да се "щракнат" катарамите в закопчалката (твърде голямо съпротивление). Катарамите не остават заключени в закопчалката (те биват освобождавани незабавно).
- Когато заключавате катарамите в закопчалката, не се чува щракване.

Б. Отстраняване на проблемите

- Проверете дали закопчалката не е замърсена и, ако е необходимо, почистете закопчалката, като я изтръшкате, изплакнете, издухате, почистите с прахосмукачка и т.н.
- **ЗАБЕЛЕЖКА!** Никога не използвайте смазващи вещества!

Ако не можете да затворите закопчалката за колана, или ако не сте сигурни дали сте разрешили даден проблем правилно, свържете се незабавно с Вашия доставчик, дистрибутор или с вносителя на продукта (вижте обратната страна на упътването за употреба). Не използвайте столчето Maxi-Cosi Tobi при никакви обстоятелства!

5. ОСНОВНИ УКАЗАНИЯ**Винаги обръщайте особено внимание на следните неща:**

- Винаги използвайте столчето, дори по време на кратки пътувания недалеч от вкъщи, защото именно тогава стават най-много инциденти;
- Използвайте столчето Maxi-Cosi Tobi само в колата, а не във Вашия дом. Столчетата за кола не са предназначени за домашна употреба;

- Столчето Maxi-Cosi Tobi може да се използва както на предната, така и на задната седалка на автомобила. Дори автомобилът да е оборудван с въздушна възглавница! Въпреки това, препоръчително е то да се поставя на задната седалка. Ако това е невъзможно, се уверете, че поставяйки го на предна седалка, оборудвана с въздушна възглавница, седалката е издърпана назад докрай. Вижте ръководството на автомобила, тъй като при все повече автомобили съществува възможността лесно да бъде изключена въздушната възглавница.
- Столчето трябва да бъде винаги завързано с предпазния колан, дори когато не го използвате. Едно не добре закрепено столче може да нарани другите пътници при внезапно спиране или сблъскване;
- Уверете се, че столчето Maxi-Cosi Tobi не се е разместило поради изместване на седалката, затръшване на вратата на колата или претоварване с тежък багаж;
- Никога не използвайте столчето Maxi-Cosi Tobi без неговата калъфка. Не подменяйте калъфката на столчето с друга, различна от оригиналната, тъй като калъфката допринася за сигурността на столчето;
- Винаги покривайте столчето Maxi-Cosi Tobi, когато колата е паркирана на слънце, тъй като пластмасовите и металните части могат да се нагреят особено много и да променят цвета на плата;
- За да избегнете увреждане на плата, не отстранявайте етикетите и др. от калъфката;
- Уверете се, че в колата няма багаж или други предмети, които не са закрепени добре (например на мястото за багаж под задния прозорец). Такива предмети стават изключително опасни при евентуално рязко спиране или сблъсък!
- При дълги пътувания спирайте често за почивка, за да може Вашето дете да има място за движение;
- **Никога** не оставяйте детето си без наблюдение в колата;
- Запазете това упътване за употреба за бъдещи справки, като го поставите в мястото, предвидено за това на гърба на столчето Maxi-Cosi Tobi;
- Никога не използвайте продукти втора употреба! Не може никога да сте сигурни, какво се е случило с тях. Производителят може да гарантира сигурността на столчето за кола, само ако то се използва от първоначалния си собственик;
- Не трябва да правите никакви промени по столчето за кола или коланите. Също така при никакви обстоятелства не премахвайте предупредителните етикети и др., които са част от столчето!
- След инцидент подменете столчето Maxi-Cosi Tobi с ново, тъй като то може да е станало недостатъчно сигурно вследствие на повреда, която на пръв поглед не е видима;
- Производителят е взел под внимание факта, че столчетата за кола могат да оставят отпечатъци по тапицериата или предпазния колан на колата. Това не може да бъде избегнато поради изискванията по стандартите за безопасност, според които столчето трябва да бъде здраво монтирано и завързано в колата. Ето защо производителят не може да бъде държан отговорен за каквито и да било щети, които могат да възникнат в резултат на по-горното.

И не забравяйте:

- Дайте добър пример и винаги поставяйте предпазния си колан!

6. РАЗДЕЛНО ИЗХВЪРЛЯНЕ НА ОТПАДЪЦИТЕ

За да се гарантира ефективната и сигурна употреба на столчето за кола, то не бива да се използва в продължение на повече от 5 години от датата на закупуване. Остаряването на пластмасовите части (например от слънчевата ултравиолетова светлина) може да доведе до влошаване на качеството на продукта.

Щом Вашето дете стане твърде голямо, за да използва това столче, Ви препоръчваме да преустановите употребата на столчето и да го изхвърлите по съответния подходящ за това начин.

За целите на опазването на околната среда Ви приканваме да разделяте отпадъците, получени от употребата на столчето Maxi-Cosi Tobi, от момента на закупуването му (опаковката) до момента на неговото изхвърляне (частите на продукта).




Дръжте найлоновите и пластмасовите опаковки далеч от деца, за да се избегне риска от задушаване.

Опаковка	Кашон	Хартиени отпадъци
	Найлонова торба	Остатъчни отпадъци
Части на продукта	Калъфка от плат	Остатъчни отпадъци
	Пластмасови части	Съответния контейнер за рециклиране
	Метални части	Контейнер за метал
	Полиестерни въжета	Контейнер за полиестер
	Закопчалка за колан	Остатъчни отпадъци

BG

7. СТОЛЧЕТА ЗА КОЛА

Вид на столчето за кола	Съгласно ECE R44/04 продуктът е подходящ за:		
	Група	Тегло на детето	Възраст
 Maxi-Cosi Rodi XR	2 + 3	15–36 кг	Приблизително от 3,5 до 12 години

8. ГАРАНЦИЯ

Гарантираме, че този продукт е произведен в съответствие с текущите европейски стандарти за безопасност и изисквания за качество, които са приложими за този продукт, както и че няма дефекти в изработката и материала на този продукт към момента на закупуването му от разпространителя.

По време на производствения процес са извършени различни проверки за качество на продукта. Ако въпреки нашите усилия, бъде открит дефект в материала/изработката в рамките на 24-месечния гаранционен срок (при обичайна употреба, описана в инструкциите), ние се задължаваме да спазваме условията на гаранцията.

В такъв случай се свържете с Вашия търговец.

Подробна информация относно приложимостта на гаранционните условия можете да получите от вашия търговец или на нашия уебсайт www.maxi-cosi.com.

Тази гаранция не е валидна в следните случаи:

- При употреба или използване с цел, различни от описаното в ръководството.
- Ако продуктът се предостави за ремонт на търговец, който не е одобрен от нас.
- Ако продуктът не се предостави на производителя с оригиналната касова бележка (чрез търговеца и/или вносителя).
- Ако ремонтът е извършен от трети лица или търговци, които не са одобрени от Dorel Netherlands.
- Ако дефектът е в резултат на неправилна или небрежна употреба или поддръжка, невнимание или удар по тапицерията и/или металната конструкция.
- Ако частите показват обичайни следи от износване, които могат да се очакват в резултат от ежедневната употреба на продукта (колела, въртящи и движещи се части и др.)

ГАРАНЦИЯ

Начална дата на гаранцията:

Гаранцията влиза в сила от датата на закупуване на продукта.

Условие за гаранцията:

Гаранцията важи за период от 24 последователни месеца.

Гаранцията е валидна единствено и само за първия собственик на продукта и не може да се прехвърля на други лица.

BG

Какво да направите в случай на дефект:

Необходима Ви е касовата бележка за покупка на продукта. Датата на закупуване трябва ясно да се вижда на бележката. В случай на проблеми или дефекти свържете се с Вашия търговец. Не може да се изисква смяна или връщане на продукта. Поправките по продукта не удължават срока на гаранция. Продукти, които са върнати/изпратени директно на производителя, НЕ подлежат на гаранционно обслужване.

Тази гаранционна клауза е в съответствие с Директива 1999/44/ЕО на Европейския парламент и на Съвета от 25 май 1999 г.

9. ВЪПРОСИ

Ако имате каквито и да е въпроси, обадете се на Вашия продавач или на вносителя на продукта (вижте гърба на упътването за употреба). Когато се обаждате, пригответе следната информация под ръка:

- Серийния номер, намиращ се най-долу на оранжевия/белия ЕСЕ етикет (на гърба на столчето Maxi-Cosi Tobi);
- Марка, тип и конструкция на колата и на седалката, на която се използва столчето Maxi-Cosi Tobi;
- Възрастта (височината) на вашето дете, както неговото тегло.

Notes / Uwagi / Jegyzet / Zаметки / Märkmed / Poznámky / белетки / Оромбе



Notes

Notes / Uwagi / Jegyzet / Zаметки / Märkmed / Poznámky / бeпeжки / Opombe



Notes / Uwagi / Jegyzet / Zаметки / Märkmed / Poznámky / белетки / Оромбе



Notes